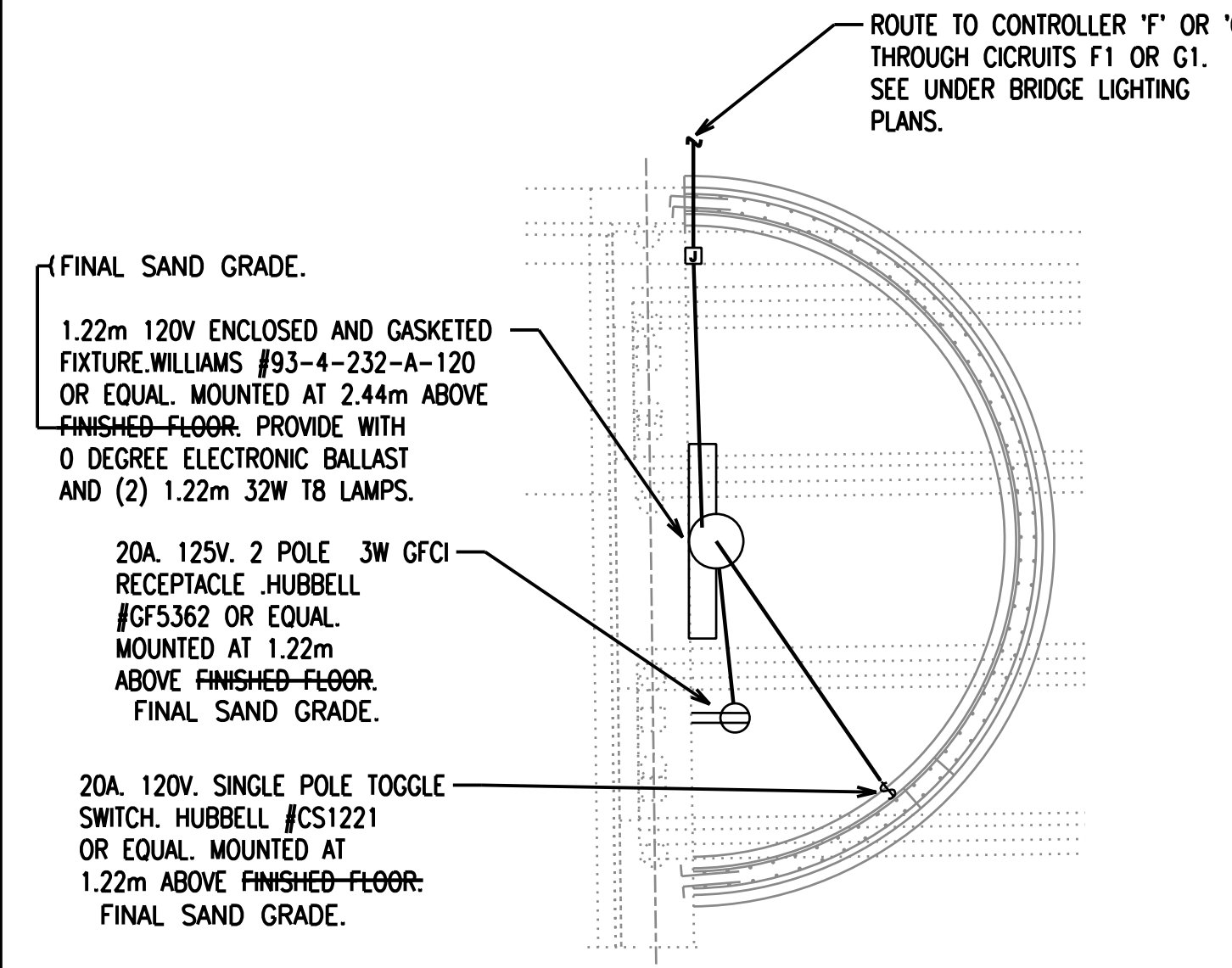


FHWA REGION NO.	STATE	PROJECT NO.	YEAR	SHEET NO.	TOTAL SHEETS
7	KANSAS	54-87 K-6657-01	2002	653	1122

DATE	
BY	
REFERENCES NOTED	
REFERENCES CHECKED	

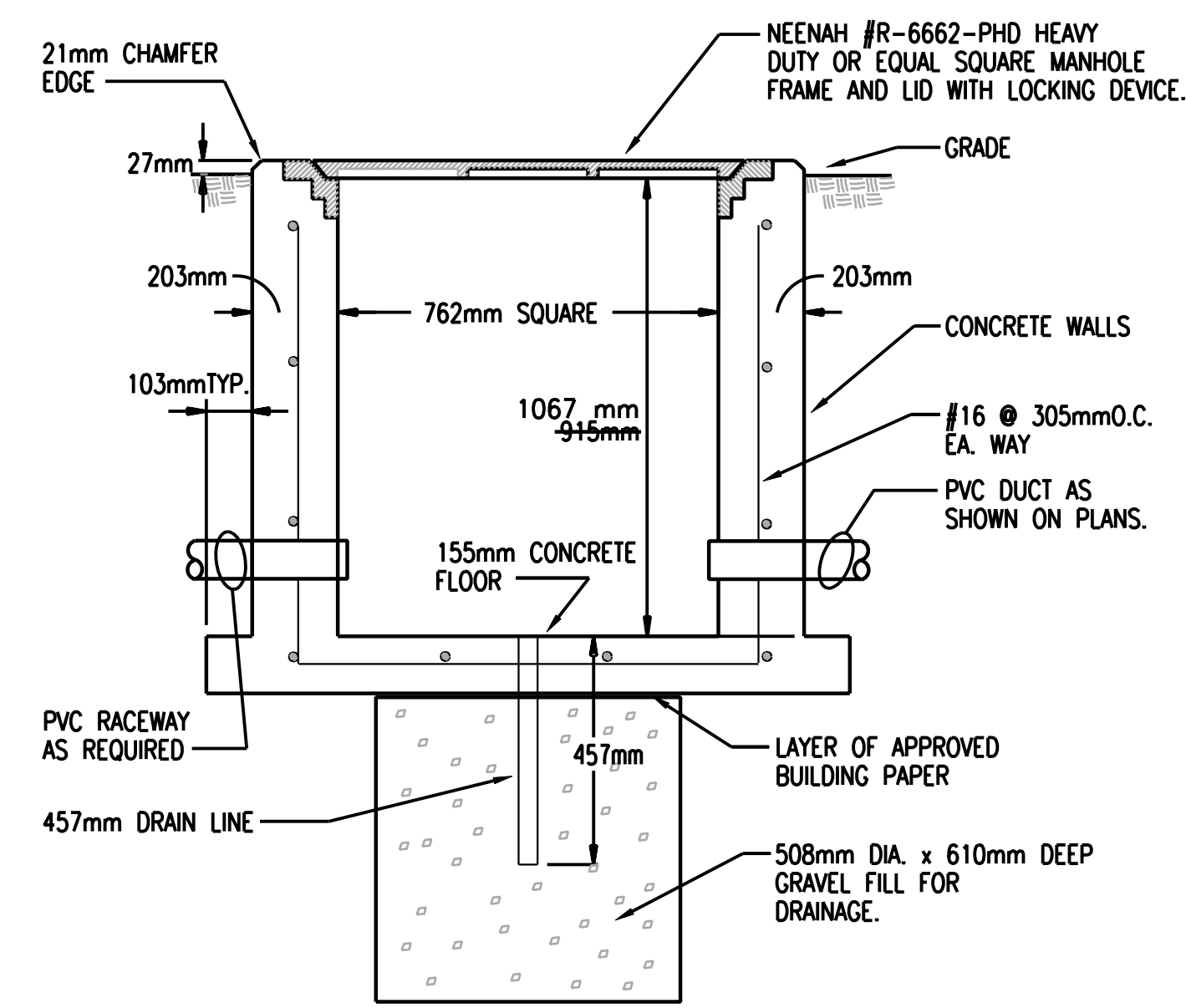


PLAN

NOTE: CIRCULAR WALL DETAIL IS SIMILAR FOR ALL 4 LOCATIONS AT THE TYLER ROAD BRIDGE AND THE 4 LOCATIONS AT THE MAIZE ROAD BRIDGE.

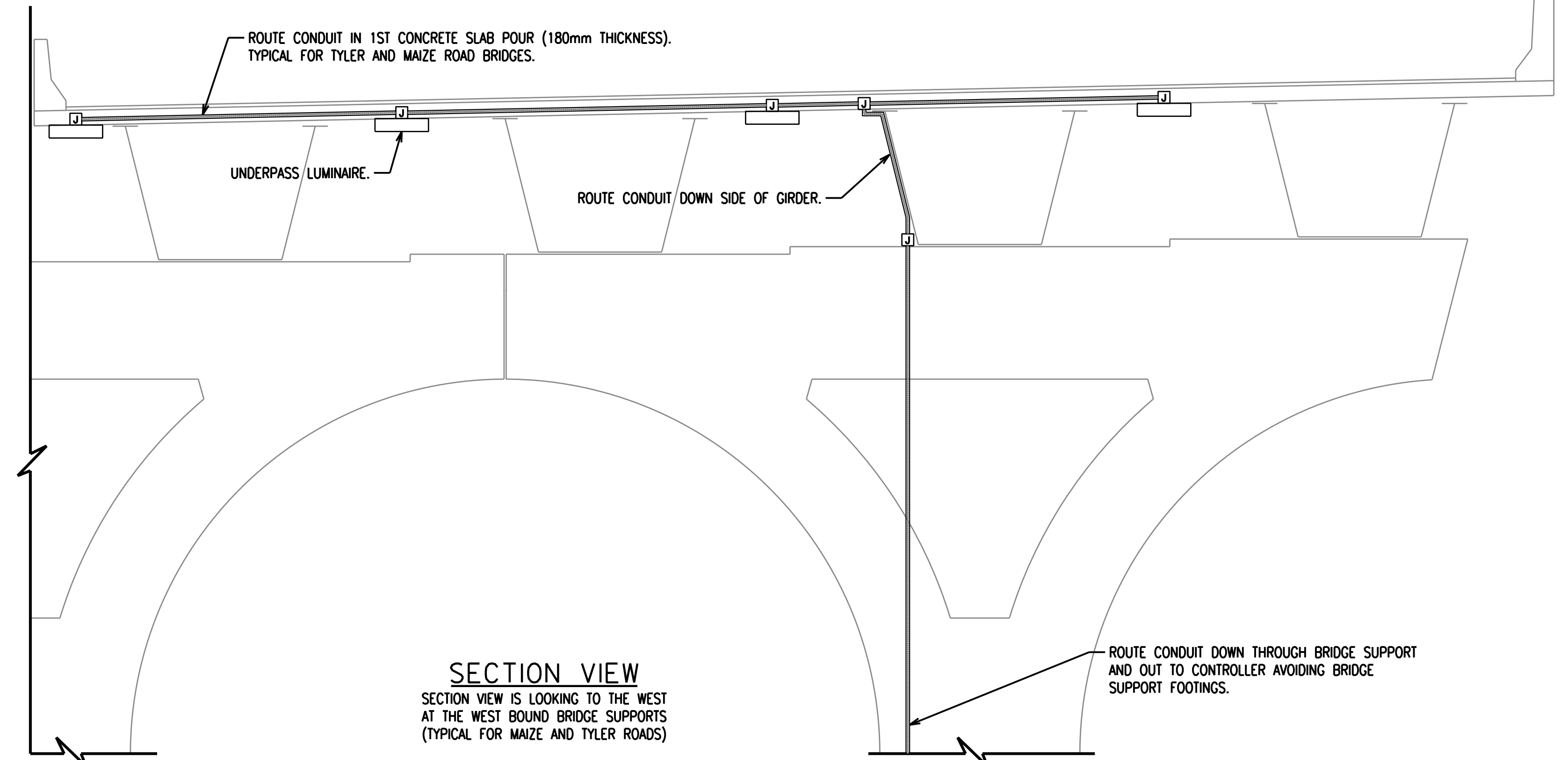
1 CIRCULAR WALL DETAIL
NO SCALE

ADDENDUM NO. 2:
Sheet No. 653
1. Ground Mounted Pullbox Section—Change the depth from 915 mm to 1067 mm.



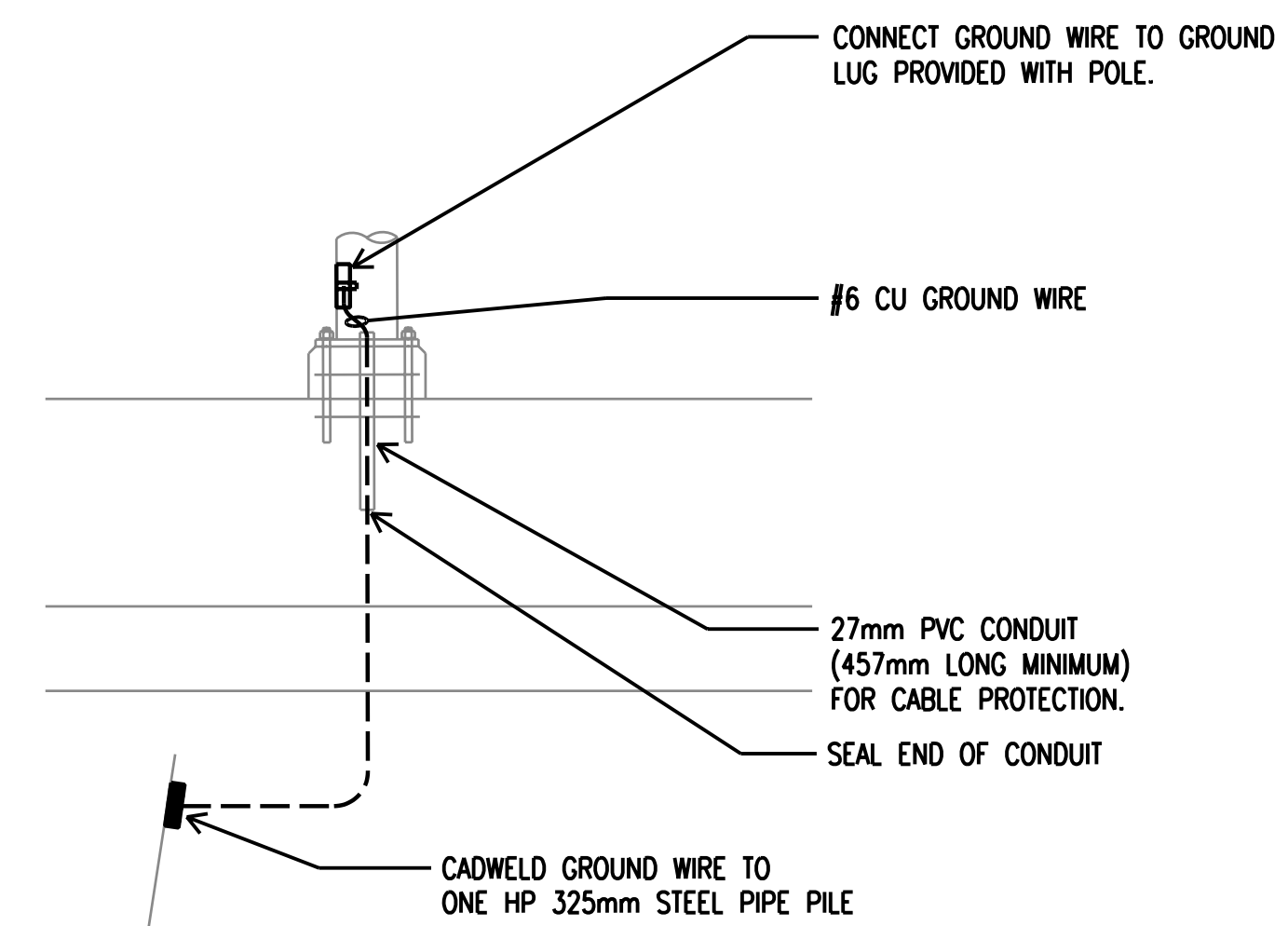
NOTE: WHERE PULLBOX IS MOUNTED IN PAVEMENT, TOP SHALL BE FLUSH WITH PAVEMENT.

2 GROUND MOUNTED PULLBOX SECTION
NO SCALE

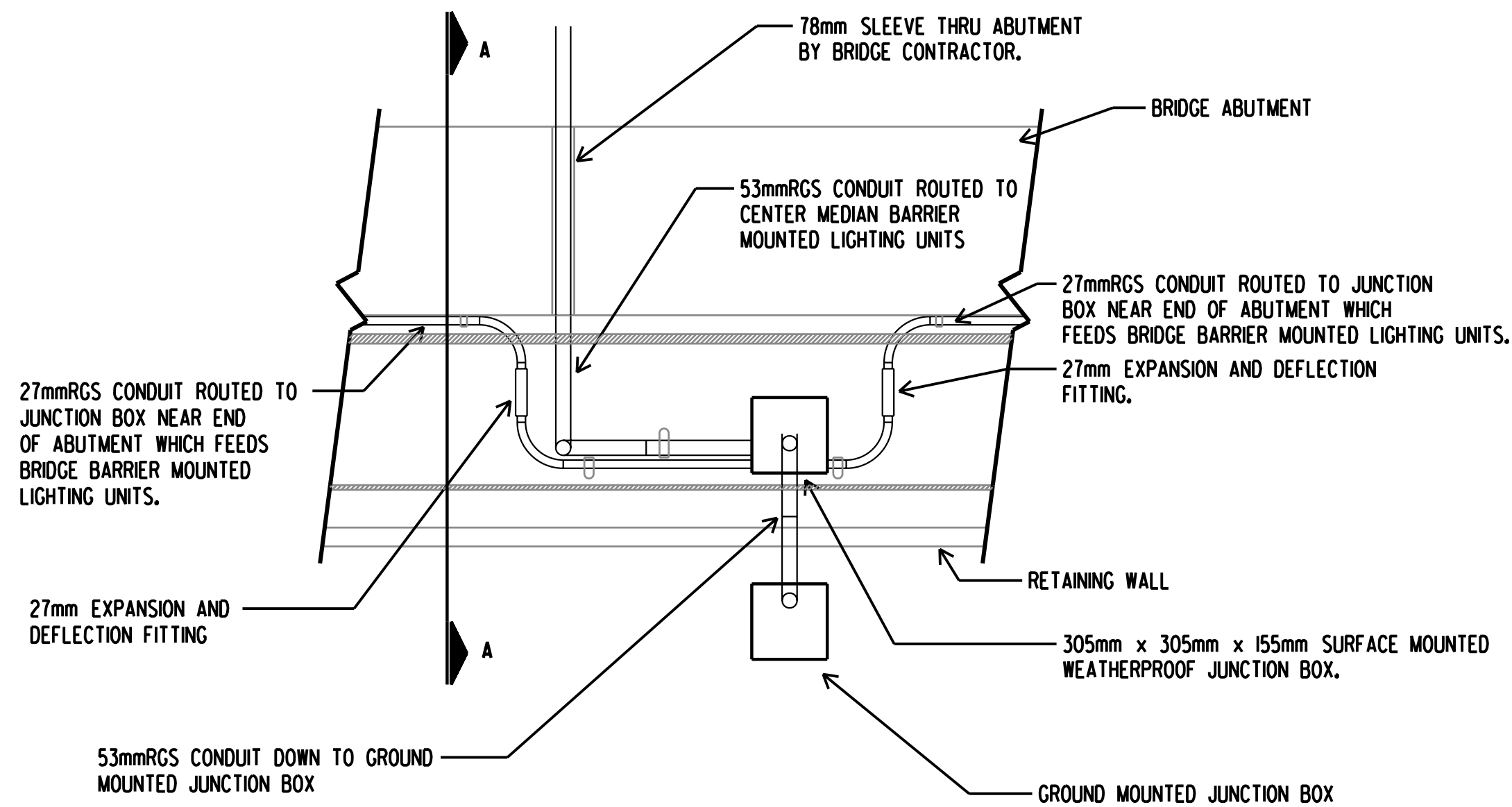


SECTION VIEW
SECTION VIEW IS LOOKING TO THE WEST AT THE WEST BOUND BRIDGE SUPPORTS (TYPICAL FOR MAIZE AND TYLER ROADS)

3 BRIDGE LIGHTING DETAIL
NO SCALE

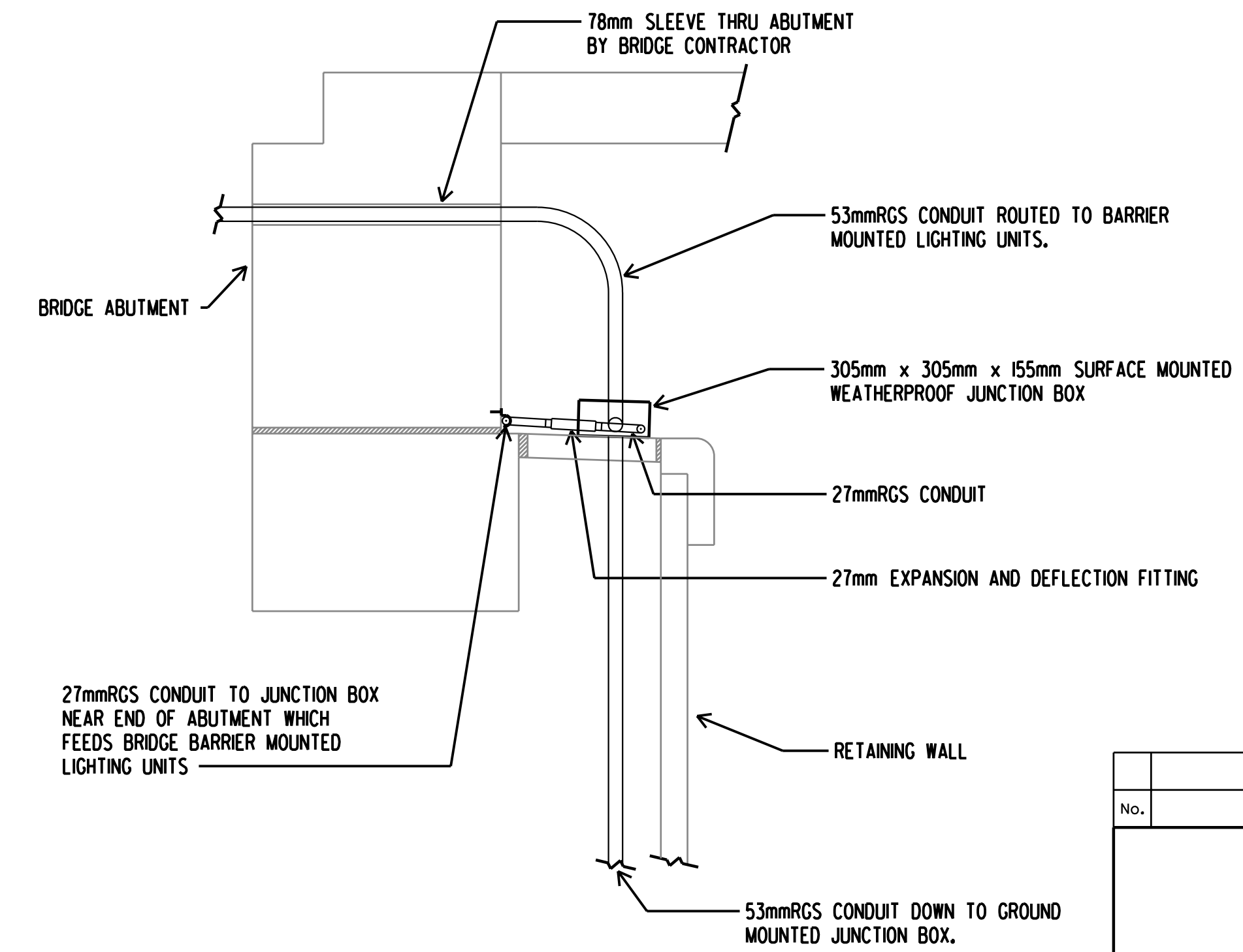


4 POLE GROUNDING DETAIL
N.T.S.



5 BRIDGE ABUTMENT DETAIL
NO SCALE
MAIZE & TYLER BRIDGES

NOTE: 27mm EXPANSION AND DEFLECTION FITTINGS SHALL PROVIDE MINIMUM 2mm MOVEMENT FROM THE NORMAL IN ALL DIRECTIONS AND 30 DEGREE DEFLECTION FROM THE NORMAL IN ANY DIRECTION.



6 SECTION A-A BRIDGE ABUTMENT DETAIL
NO SCALE
MAIZE & TYLER BRIDGES

No.	Revisions	By	Date
CITY OF WICHITA			
LIGHTING DETAILS			
SEDGWICK COUNTY			
Professional Engineering Consultants, P.A.			
303 S. TOPEKA • WICHITA, KANSAS 67202 316-262-2691 • FAX 316-262-3003			
Designed by	SMS	Checked by	SMS
Drawn by	WAN	Date	APRIL, 2002
		Job No.	97362

RECORD DRAWING

DSNR: WAN OPER: WAN SCALE: 1:500
 12/1997/97362/As-Buildings/Vol.3/Sh 653-WKA653.dgn Last Rev: 9-18-07 By: gdr