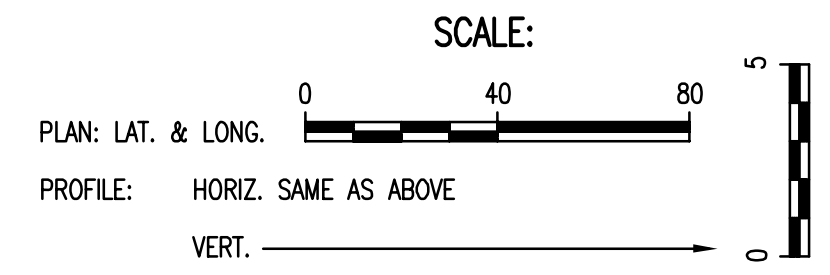
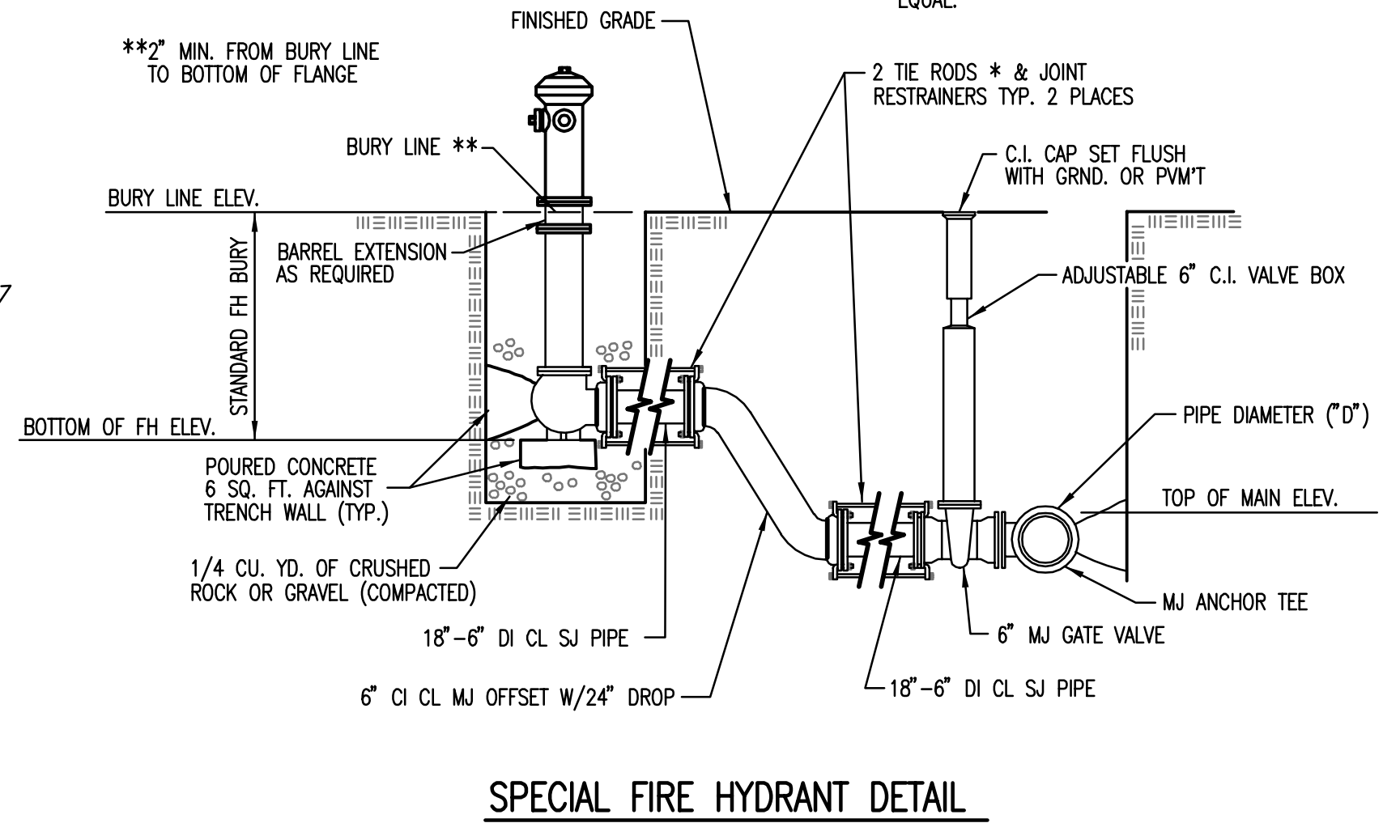
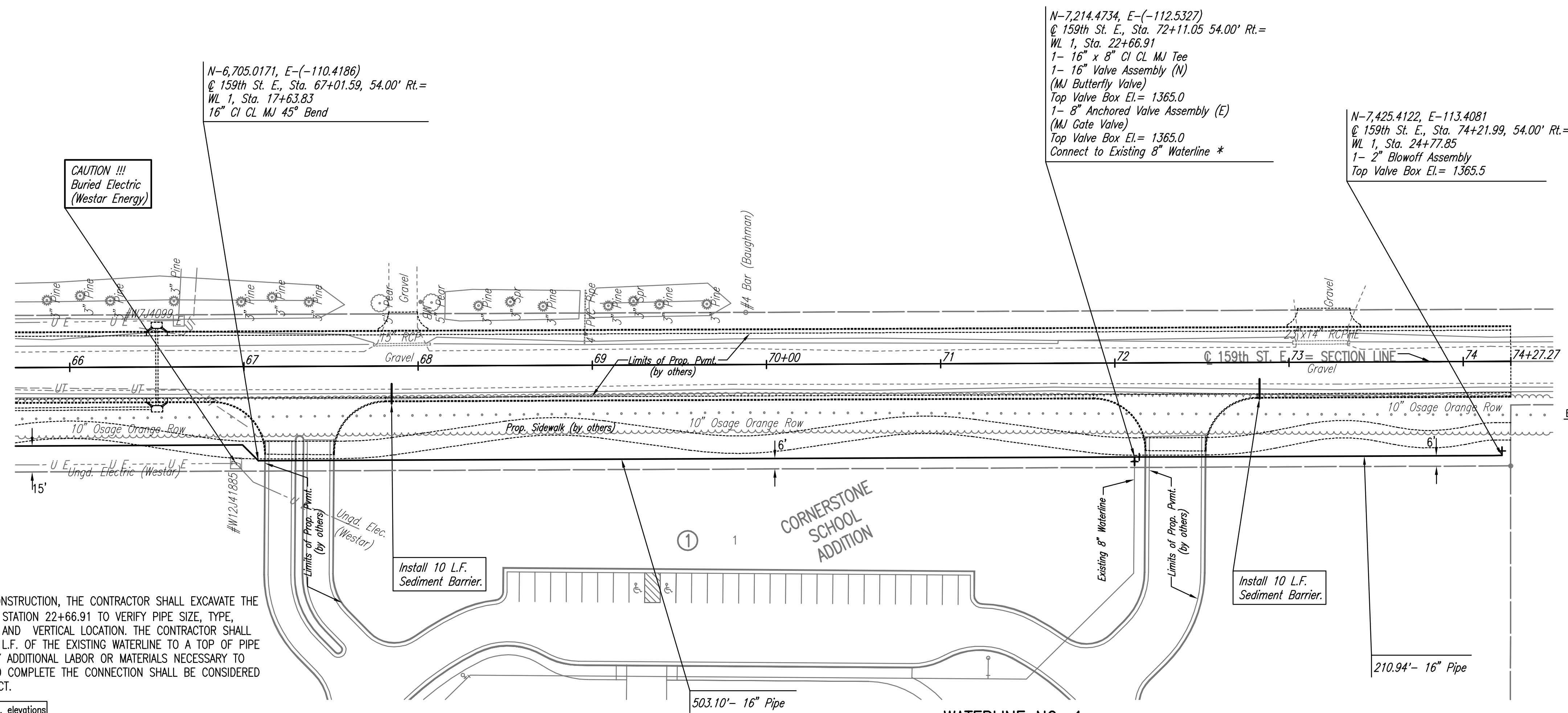


PLAN	CHECKED	CHECKED
BY		
DATE		

PROFILE	CHECKED	CHECKED
BY		
DATE		

Saved: 02-15-2007 4:26:28 PM by CSL
 Plot Scale: 1/40 02-15-2007 5:08:18 PM by REJ
 J:\SENTOU\2006\06\138\2007-02-16 to Pkg\Water Supply\DWG\06-Line01



* PRIOR TO BEGINNING CONSTRUCTION, THE CONTRACTOR SHALL EXCAVATE THE EXISTING 8" WATERLINE AT STATION 22+66.91 TO VERIFY PIPE SIZE, TYPE, FITTINGS, AND HORIZONTAL AND VERTICAL LOCATION. THE CONTRACTOR SHALL LOWER APPROXIMATELY 20 L.F. OF THE EXISTING WATERLINE TO A TOP OF PIPE ELEVATION = 1360.00. ANY ADDITIONAL LABOR OR MATERIALS NECESSARY TO LOWER THE WATERLINE AND COMPLETE THE CONNECTION SHALL BE CONSIDERED SUBSIDIARY TO THE PROJECT.

