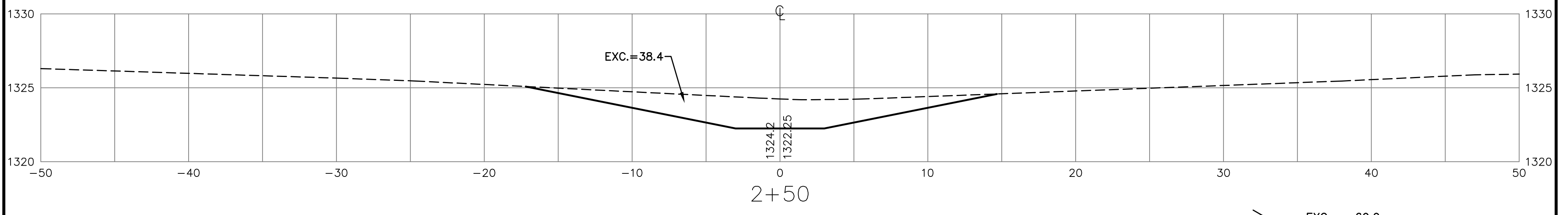
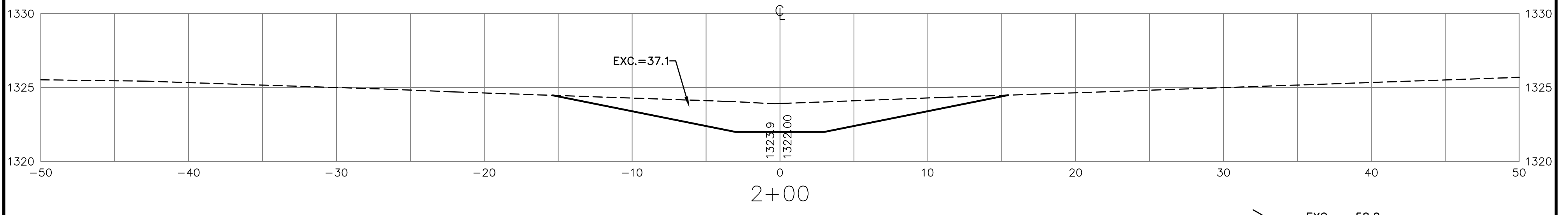


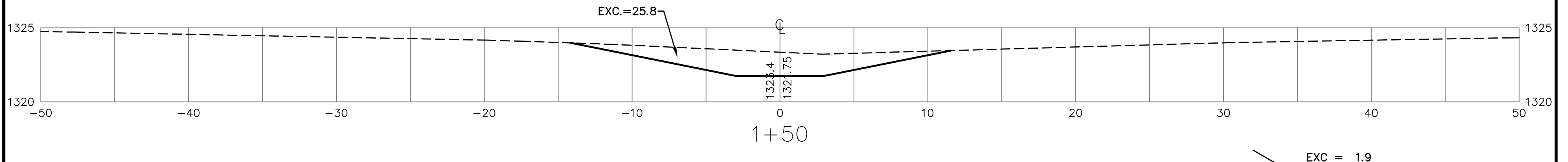
50' > EXC = 85.7
 LF = 0.0
 CF = 0.0
 MF = 0.0



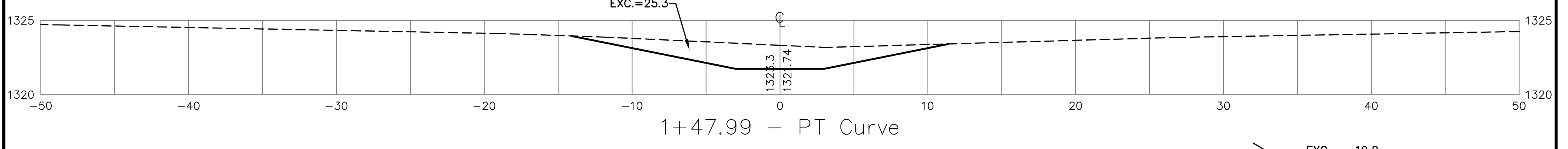
50' > EXC = 69.9
 LF = 0.0
 CF = 0.0
 MF = 0.0



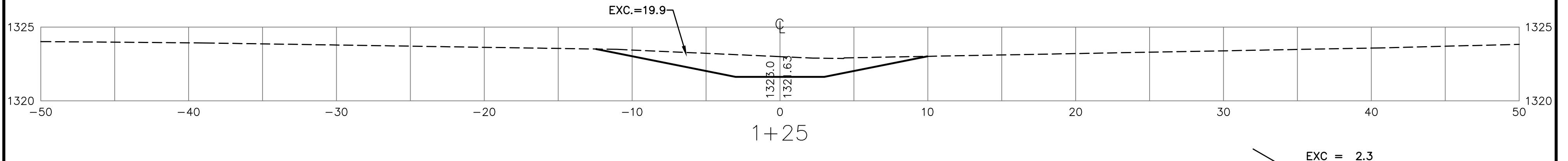
50' > EXC = 58.2
 LF = 0.0
 CF = 0.0
 MF = 0.0



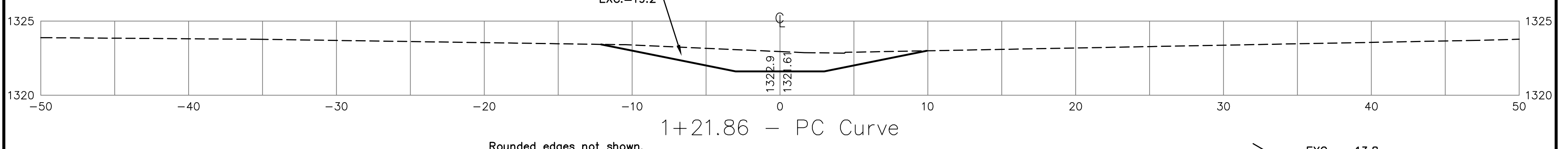
2.01' > EXC = 1.9
 LF = 0.0
 CF = 0.0
 MF = 0.0



22.99' > EXC = 19.2
 LF = 0.0
 CF = 0.0
 MF = 0.0

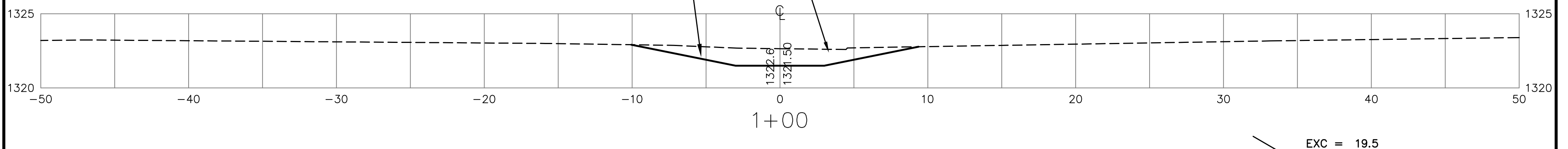


3.14' > EXC = 2.3
 LF = 0.0
 CF = 0.0
 MF = 0.0

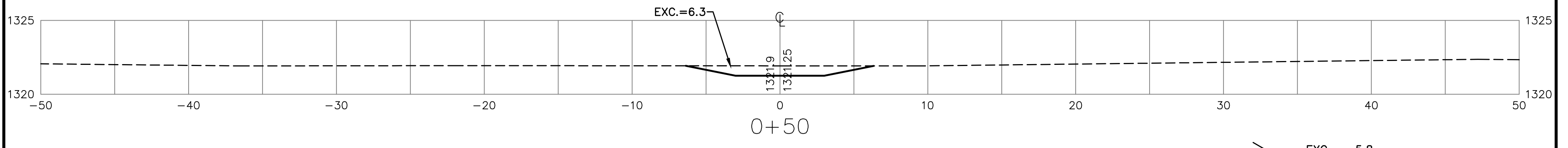


21.86' > EXC = 13.8
 LF = 0.0
 CF = 0.0
 MF = 0.0

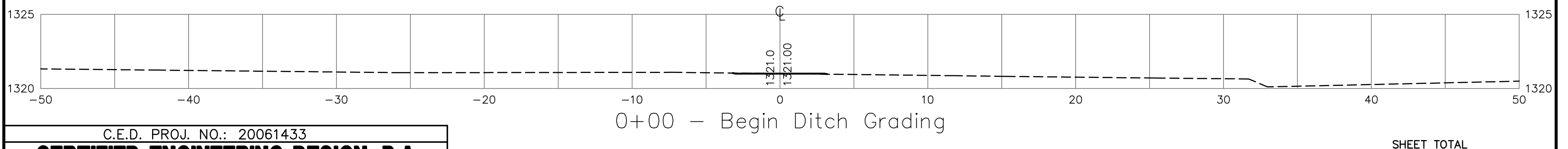
Rounded edges not shown.
 Contractor shall round edges of ditch, as shown in the typical section on Sheet #8, to provide a smoother contour for easier maintenance of the ditch.



50' > EXC = 19.5
 LF = 0.0
 CF = 0.0
 MF = 0.0



50' > EXC = 5.8
 LF = 0.0
 CF = 0.0
 MF = 0.0



C.E.D. PROJ. NO.: 20061433
CERTIFIED ENGINEERING DESIGN, P.A.
 810 WEST DOUGLAS, SUITE C
 WICHITA, KANSAS 67203
 PH: (316) 262-8808
 FAX: (316) 262-1669

SHEET	22
TOTAL	26

SHEET TOTAL

EXCAVATION	= 267.3
LOOSE FILL	= 0.0
COMPACTED FILL	= 0.0
MANIPULATED FILL	= 0.0

SOUTH FIELD EAST DITCH