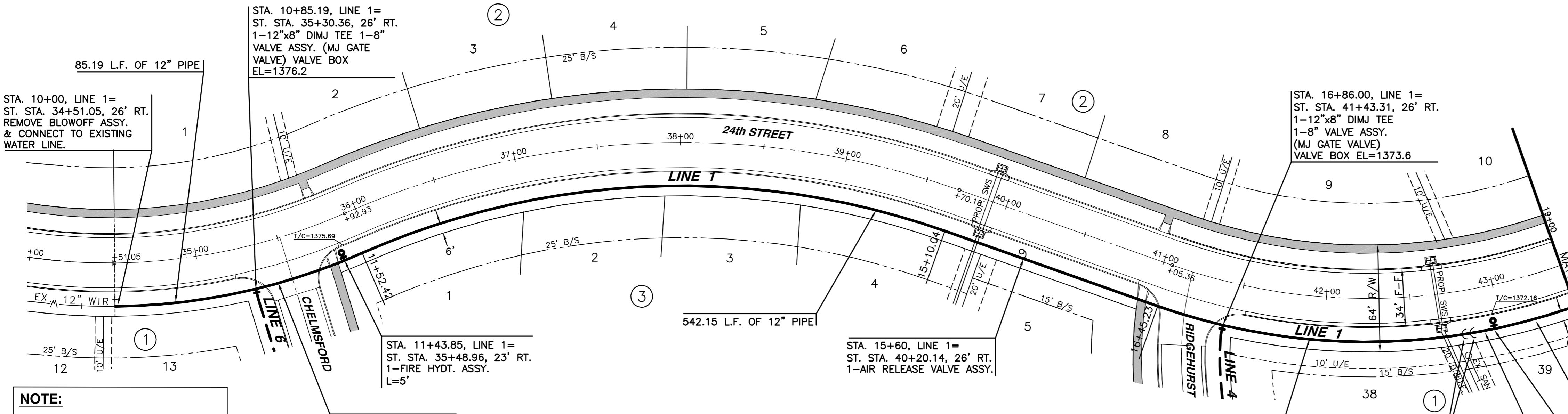


CURVE TABLE				
$\Delta = 50^{\circ}59'23''$ R = 376.00' T = 179.30' L = 334.62' LC = 323.68'				
CURVE DATA BASED ON WATERLINE $\Delta/2 = 25^{\circ}29'41''$				
STATION	ARC	CHORD LENGTH		TOTAL DEFLECTION
		6'LT Offset	6'RT Offset	
16+45.23	-	-	-	00'00"00"
16+75.00	29.77'	-	30.24'	02'16"06"
16+85.00	11.00'	-	11.18'	00'50"17"
17+00.00	14.00'	-	14.22'	01'04"00"
17+25.00	25.00'	-	25.39'	01'54"17"
17+50.00	25.00'	-	25.39'	01'54"17"
17+75.00	25.00'	-	25.39'	01'54"17"
18+00.00	25.00'	-	25.39'	01'54"17"
18+25.00	25.00'	-	25.39'	01'54"17"
18+26.49	1.49'	-	1.51'	00'06"49"
18+50.00	23.51'	-	23.88'	01'47"29"
18+75.00	25.00'	-	25.39'	01'54"17"
19+00.00	25.00'	-	25.39'	01'54"17"
19+25.00	25.00'	-	25.39'	01'54"17"
19+50.00	25.00'	-	25.39'	01'54"17"
19+75.00	25.00'	-	25.39'	01'54"17"
19+79.84	4.84'	-	4.92'	00'22"09"
				Def/Ft = 4.57147 Min.

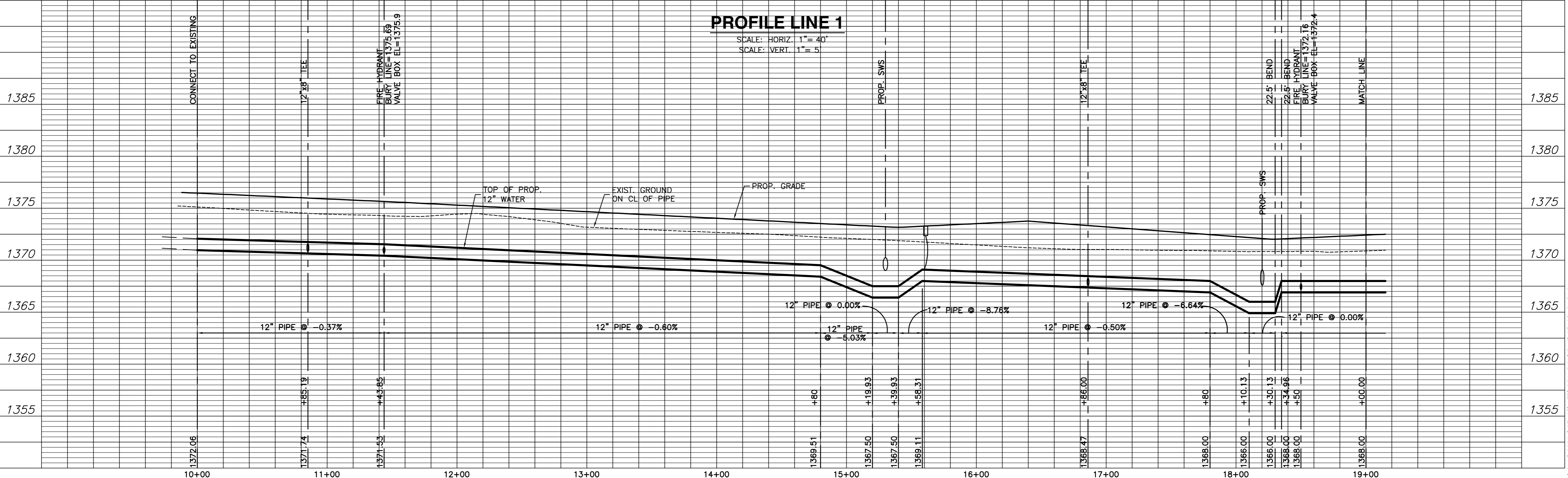
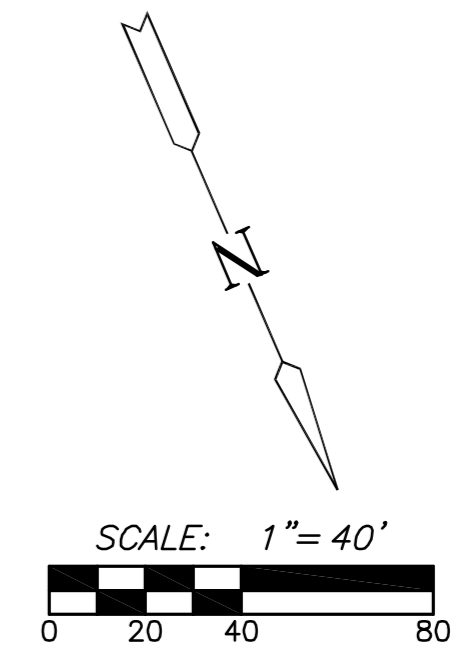


**NOTE:**  
CONTRACTOR TO VERIFY LOCATION AND ELEVATION OF EXISTING 12" WATER LINE PRIOR TO CONSTRUCTION.

CURVE TABLE					
$\Delta = 23^{\circ}13'32''$ R = 376.00' T = 77.27' L = 152.42' LC = 151.37'					
CURVE DATA BASED ON WATERLINE $\Delta/2 = 11^{\circ}36'46''$					
STATION	ARC	CHORD LENGTH		DEFLECTION	TOTAL DEFLECTION
		6'LT Offset	6'RT Offset		
10+00.00	-	-	-	00'00"00"	00'00"00"
10+25.00	25.00'	-	25.39'	01'54"17"	01'54"17"
10+50.00	25.00'	-	25.39'	01'54"17"	03'48"34"
10+75.00	25.00'	-	25.39'	01'54"17"	05'42'52"
10+85.19	10.19'	-	10.35'	00'46'35"	06'29'27"
11+00.00	14.81'	-	15.05'	01'07'42"	07'37'09"
11+25.00	25.00'	-	25.39'	01'54"17"	09'31'26"
11+43.85	18.85'	-	19.15'	01'26'10"	10'57'36"
11+50.00	6.15'	-	6.25'	00'28'07"	11'25'43"
11+52.42	2.42'	-	2.45'	00'11'03"	11'36'46"
					Def/Ft = 4.57147 Min.

CURVE TABLE					
$\Delta = 43^{\circ}13'45''$ R = 474.00' T = 187.81' L = 357.63' LC = 349.21'					
CURVE DATA BASED ON WATERLINE $\Delta/2 = 21^{\circ}36'52''$					
STATION	ARC	CHORD LENGTH		DEFLECTION	TOTAL DEFLECTION
		6'LT Offset	6'RT Offset		
11+52.42	-	-	-	00'00"00"	00'00"00"
11+75.00	22.58'	-	22.29'	01'21'53"	01'21'53"
12+00.00	25.00'	-	24.68'	01'30'39"	02'52'32"
12+25.00	25.00'	-	24.68'	01'30'39"	04'23'12"
12+50.00	25.00'	-	24.68'	01'30'39"	05'53'51"
12+75.00	25.00'	-	24.68'	01'30'39"	07'24'31"
13+00.00	25.00'	-	24.68'	01'30'39"	08'55'10"
13+25.00	25.00'	-	24.68'	01'30'39"	10'25'50"
13+50.00	25.00'	-	24.68'	01'30'39"	11'56'29"
13+75.00	25.00'	-	24.68'	01'30'39"	13'27'09"
14+00.00	25.00'	-	24.68'	01'30'39"	14'57'48"
14+25.00	25.00'	-	24.68'	01'30'39"	16'28'28"
14+50.00	25.00'	-	24.68'	01'30'39"	17'59'07"
14+75.00	25.00'	-	24.68'	01'30'39"	19'29'47"
15+00.00	25.00'	-	24.68'	01'30'39"	21'00'26"
15+10.05	10.05'	-	9.92'	00'36'26"	21'36'53"
					Def/Ft = 3.62632 Min.

**PLAN LINE 1**  
SCALE: 1" = 40'



**PROFILE LINE 1**  
SCALE: HORIZ. 1" = 40'  
SCALE: VERT. 1" = 5'

PLOTTED: Tuesday, December 18, 2007 @ 05:59AM

J:\CIVIL\062007\07165\WTR\CON\DISK\DWG\07165\_C1.DWG