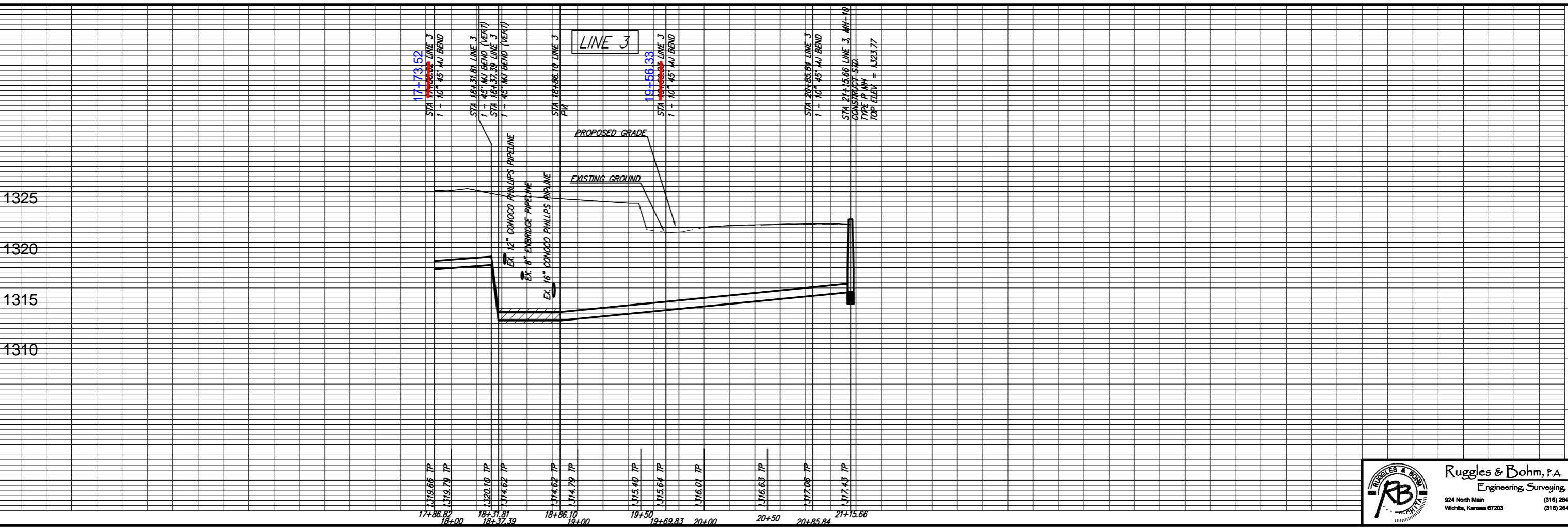
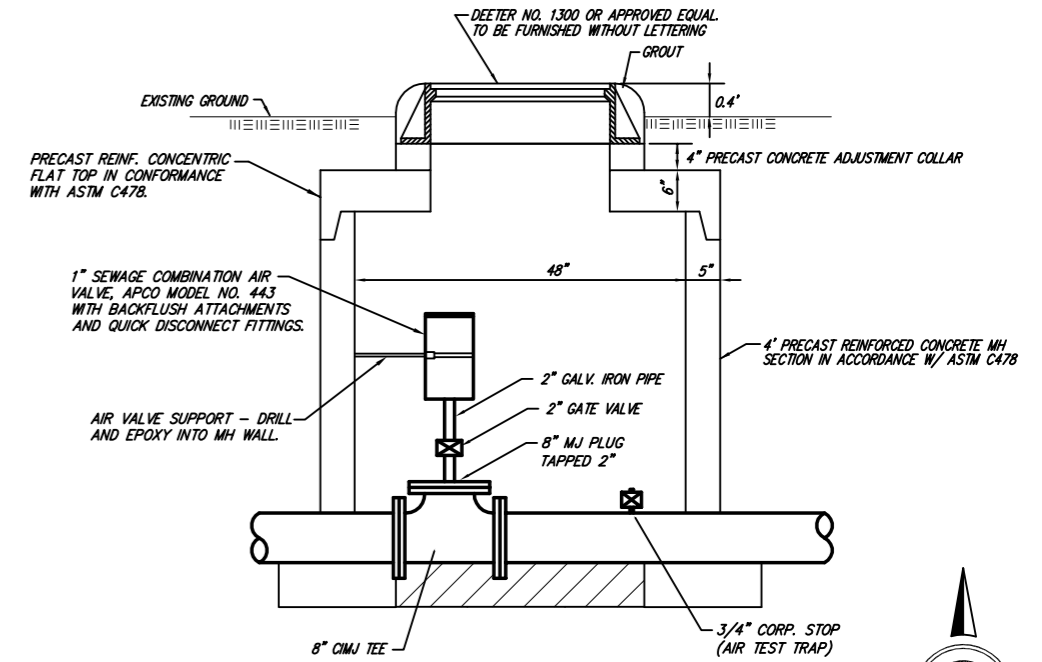
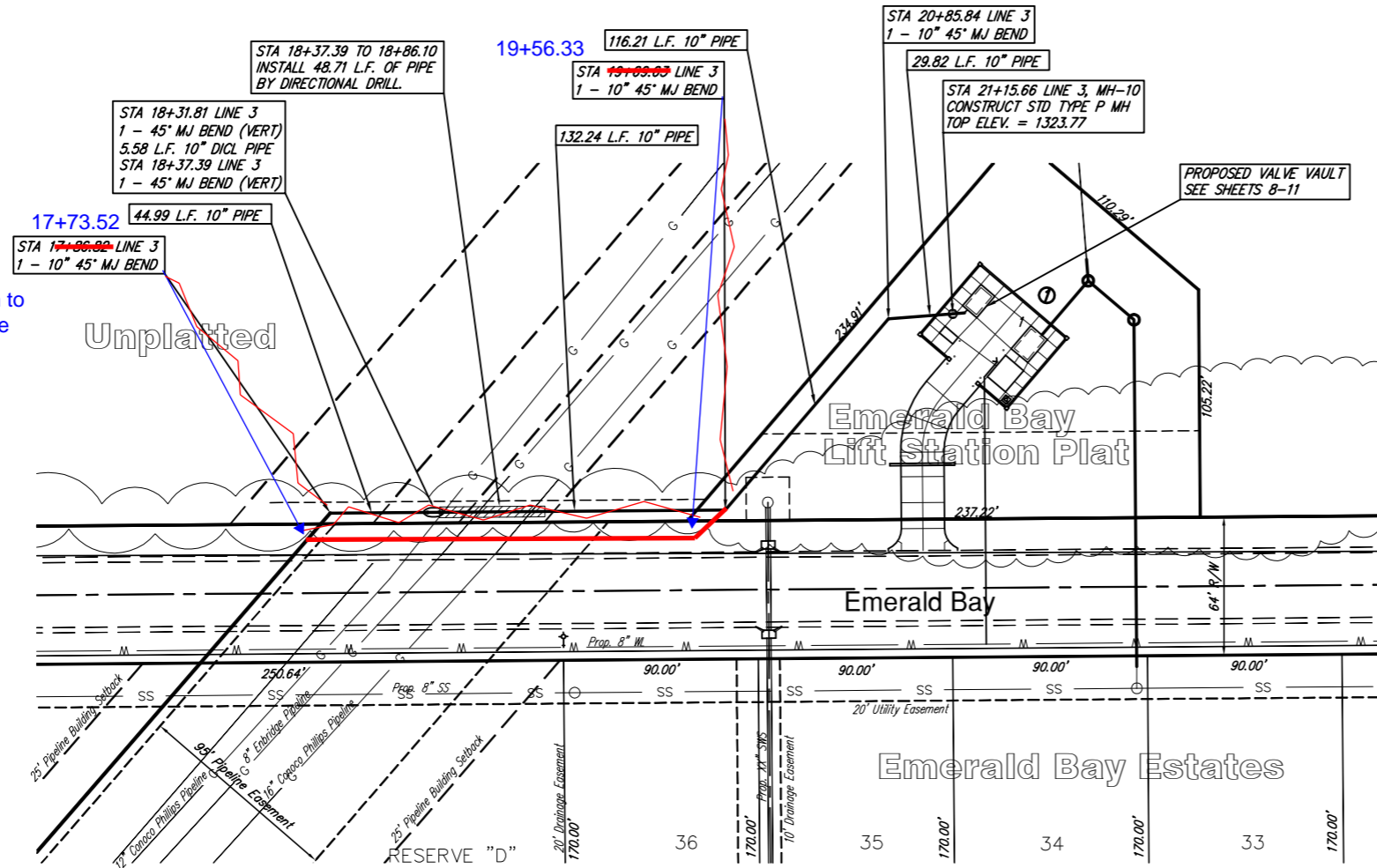


Note: Line moved south to avoid stockpile on private property.



PROJECT NUMBER 468-84141	DESIGN AML	DRAWING FILE Sanitary Sewer_ISS_053	REVISION DATE Jan. 5, 2006
MAIN 23, SOUTHWEST INTECEPTOR Sewer Force Main			REVIEW
Ruggles & Bohm, P.A. Engineering, Surveying, Land Planning 924 North Main Wichita, Kansas 67203 (316) 264-8008 (316) 264-4821 fax			RB JOB 2822E SHE 7 OF 16