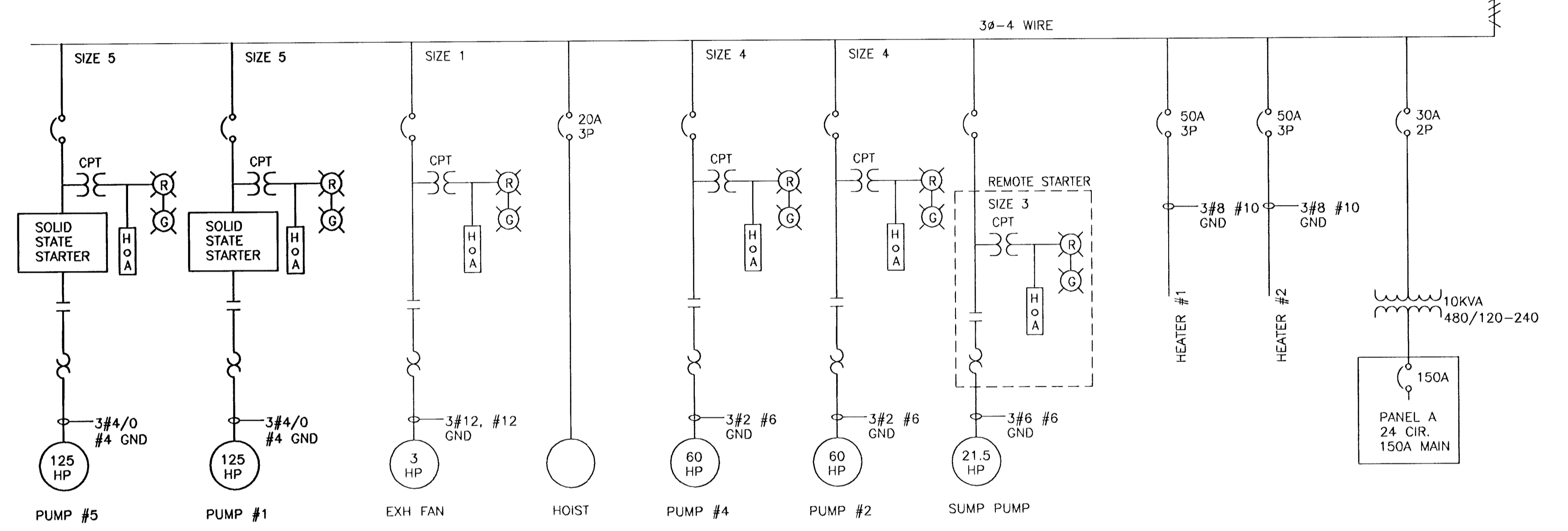


1F	2F	3F	4F
HFD3020 HOIST	FVNR S1 EXH FAN	FVNR S4 PUMP #2	ML800 P4S MAIN
BLANK	QPD METERING	FVNR S4 PUMP #4	BLANK
RELOCATE TO SECTION 2F	HFD3050 ELEC HTR #1	ITSS135 PUMP #1	FVNR S3
REMOVE OR RELOCATE TO SECTION F3 (TYPICAL ALL "BLANK")	BLANK	ITSS135 PUMP #5	SUMP FVNR S1
REMOVE ABANDON AIR COMP IN PLACE	HFD3030 PANEL A		
	HFD3030 AIR COMP		

**MCC FRONT ELEVATION (OLD LINE-UP)**  
SCALE: NONE



**MOTOR CONTROL CENTER ONE-LINE DIAGRAM**  
SCALE: NONE

1F	2F	3F	4F
HFD3020 HOIST	FVNR S1 EXH FAN	FVNR S4 PUMP #2	ML800 P4S MAIN
HFD3050 ELEC HTR #2	QPD METERING	FVNR S4 PUMP #4	BLANK
HFD3030 PANEL A	HFD3050 ELEC HTR #1	ITSS 180	FVNR S3
ITSS 180	ITSS 180	BLANK	SUMP FVNR S1
PUMP #5	PUMP #1		

**MCC FRONT ELEVATION (NEW LINE-UP)**  
SCALE: NONE

480VAC MOTOR CONTROL CENTER 3Ø-4 WIRE-GND																				
PH 3	WIRE 4	HZ 60	HORIZONTAL BUS = 800A COPPER-TIN PLATED	VERTICAL - 300A	TOTAL CONNECTED LOAD =	INTERRUPTING CAPACITY = 65KA	NORMAL OPERATION LOAD =													
BUS BRACING = 65 KA RMS SYMMETRICAL SHORT CIRCUIT																				
MCC UNIT NO.	EQUIP. NO.	SERVICE	RATING	FULL LOAD AMPS	RPM	SERVICE FACTOR	STARTER TYPE	STARTER SIZE	SPACE REQ.	CIRCUIT BREAKER		AUTO RESTART	EXTRA INTERLOCKS					SCHEMATIC DIAGRAMS	NOTES	
										FRAME	TRIP PLUG		NO	NC	STOP	HAND-OFF-ENABLE	FAST-SLOW-STOP			GREEN (STOPPED)
	PUMP #1	STORM WATER PUMP #1	125 HP	156	900	1.15	SOFT ST.	5	6X	250		-	2	2	X	X	X	X	X	SOLID STATE SOFT START 180A MIN RATED
	PUMP #5	STORM WATER PUMP #5	125 HP	156	900	1.15	SOFT ST.	5	6X	250		-	2	2	X	X	X	X	X	SOLID STATE SOFT START 180A MIN RATED

- NOTES:**
- HMCP-MOTOR CIRCUIT PROTECTOR BREAKERS SHALL BE SUPPLIED AND SETTINGS OF TRIP PLUGS AND OVER LOAD RELAYS SHALL BE COORDINATED WITH THE EQUIPMENT AND THE ENGINEER FOR FINAL SETTINGS.
  - MOTOR CONTROL CIRCUITRY SHALL BE PROVIDED SUCH THAT "HAND-OFF-AUTO" PROVIDES COMPLETE LOCAL CONTROL ON HAND AND REMOTE CONTROL BY "AUTO".
  - CONTRACTOR SHALL REPLACE TWO EXISTING 100 HP "CUTLER-HAMMER" SOFT START MOTOR STARTERS WITH NEW 125 HP STARTERS & RELOCATE THEM WITHIN THE MCC STRUCTURE AS INDICATED.

**CITY OF WICHITA, KANSAS**  
**STORMWATER PUMP STATION NO. 1**  
**REPLACE PUMP 1 & 5 MTRS & STARTERS**

PROJECT NAME

**ONE-LINE DIAGRAM**

SHEET TITLE

DESIGN BY: SLA      DRAWN BY: RES      CHECKED BY: SLA

DATE: SEPTEMBER, 2002      DRAWING NAME: 0214102      SHEET / OF: E1 / 2