

FHWA REGION NO.	STATE	PROJECT NO.	YEAR	SHEET NO.	TOTAL SHEETS
7	KANSAS	87 ER-164(1)	1974	23	28

DAKB 574005

NOTES:  
ALL WELDS SHALL BE 1/4" CONTINUOUS FILLET WELDS UNLESS OTHERWISE INDICATED.

ALL BEARING PLATES, SELF LUBRICATING BRONZE BEARING PLATES, BEARING SHOES, AND ANCHOR BOLTS SHALL BE INCLUDED IN BEARING DEVICE BID ITEM.

SIDEWALK EXPANSION DEVICES ARE INCLUDED IN THE STRUCTURAL STEEL BID ITEM.

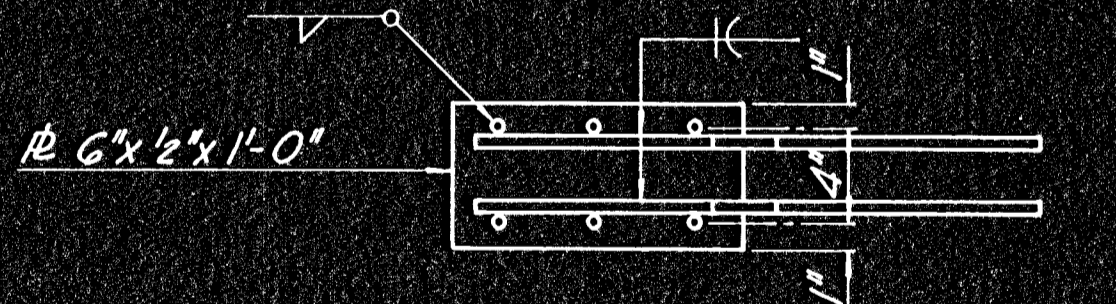
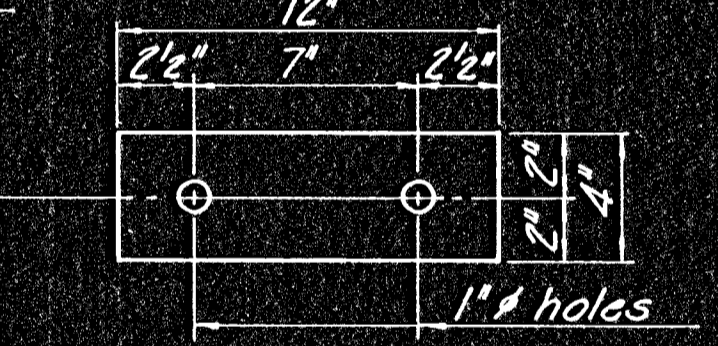
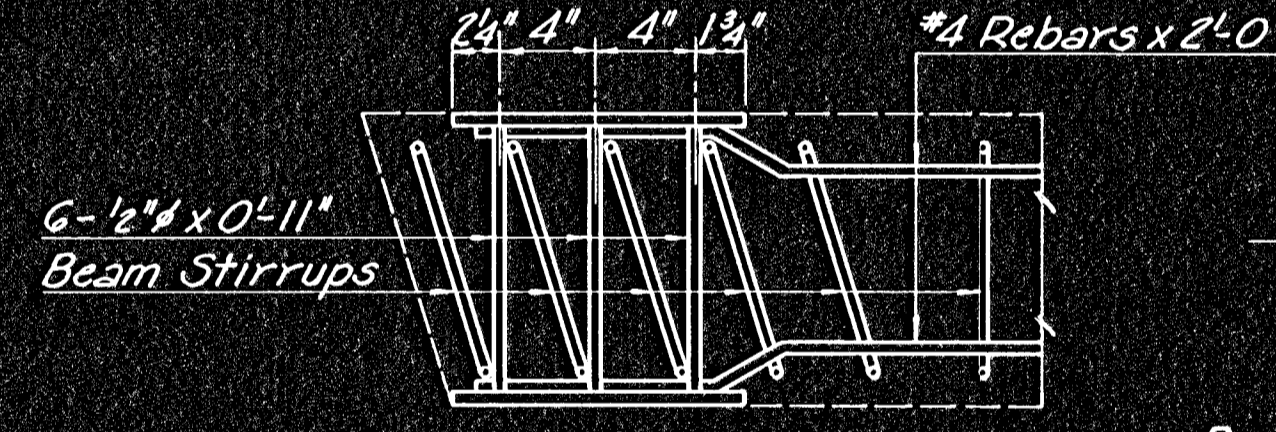
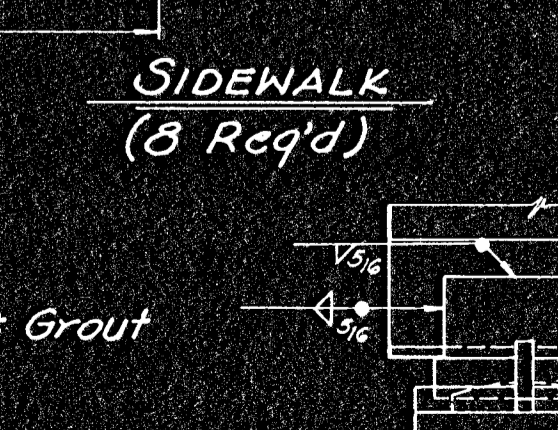
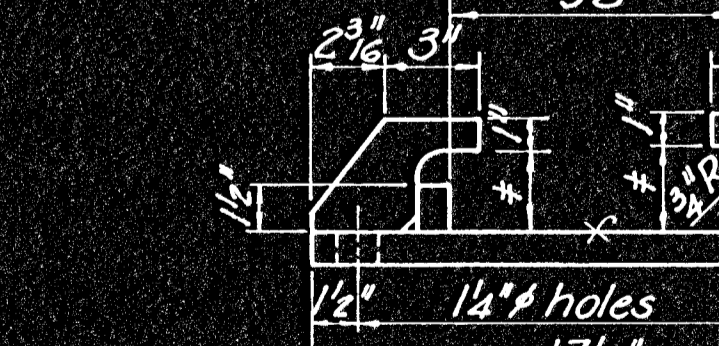
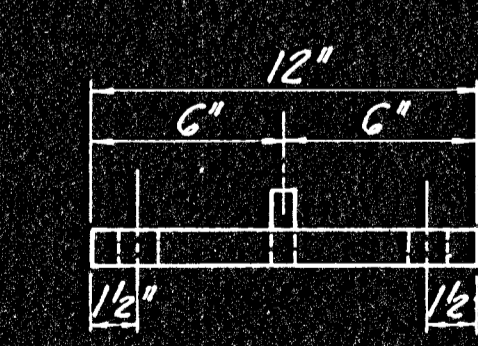
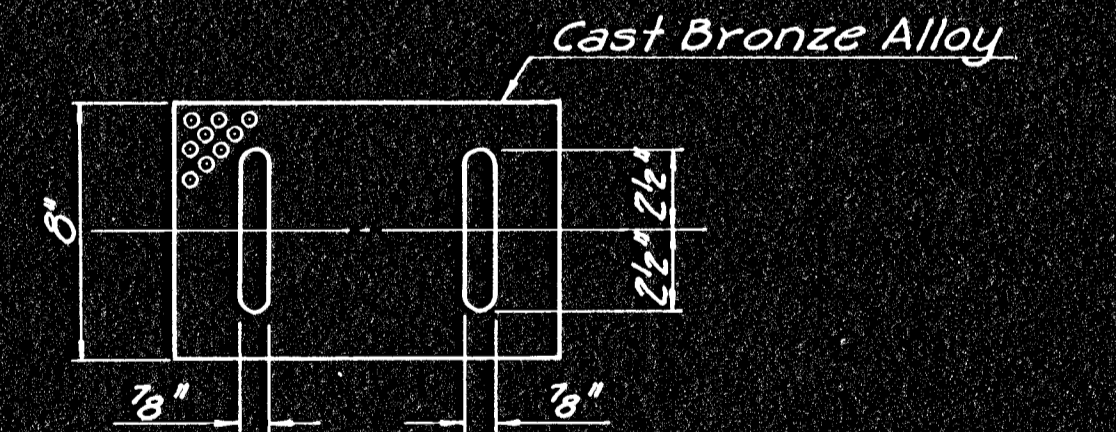
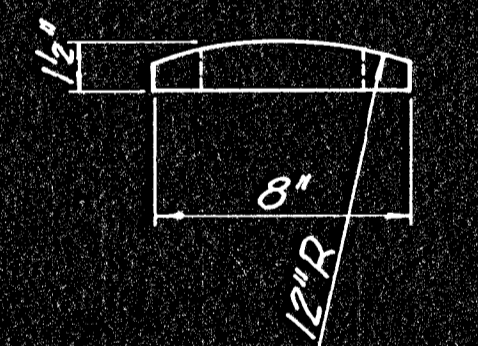
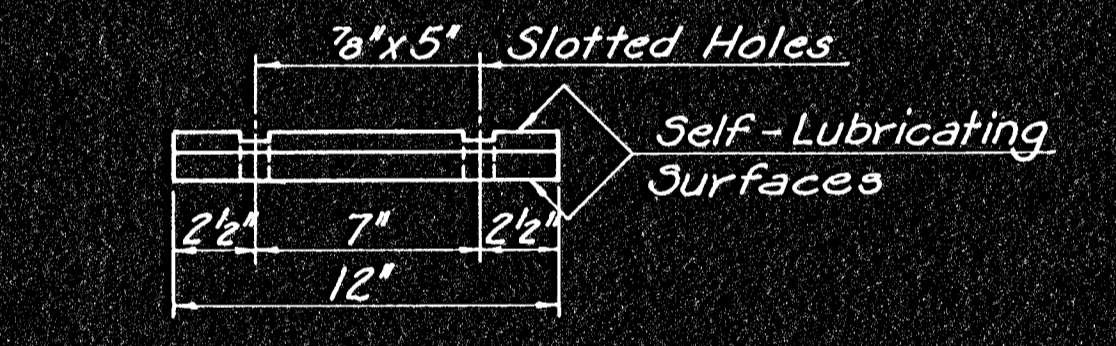
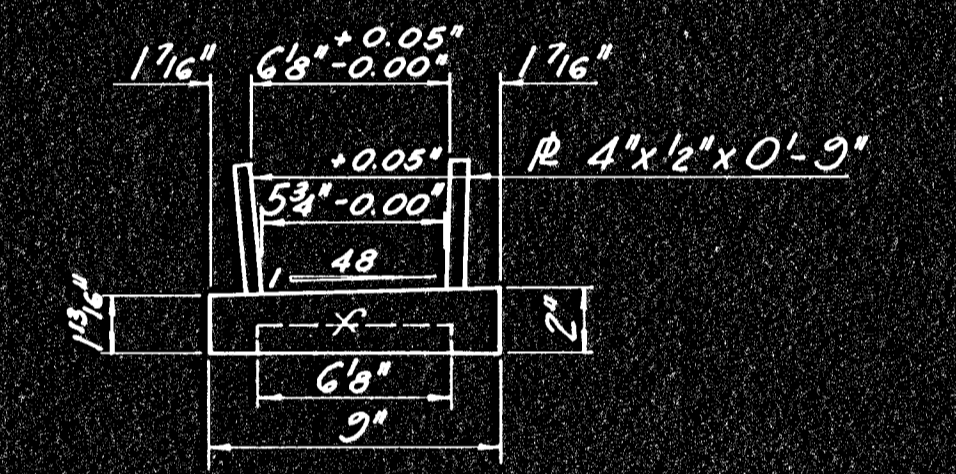
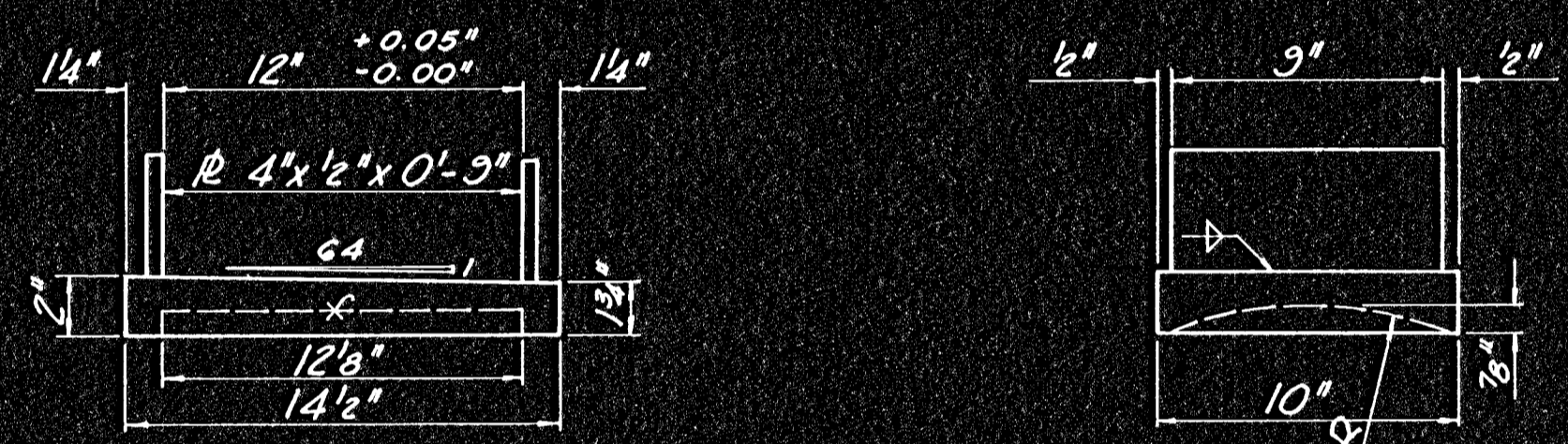
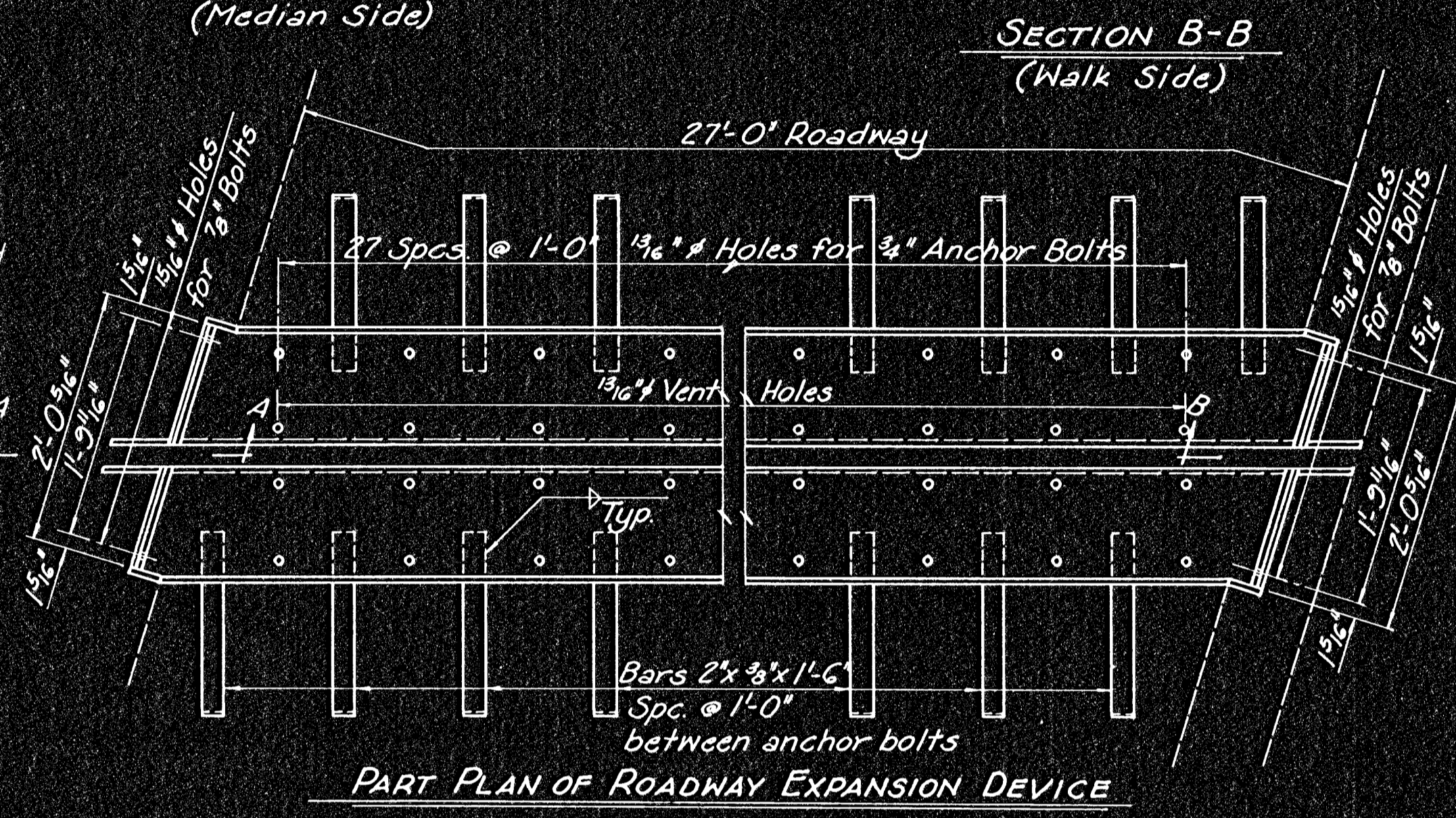
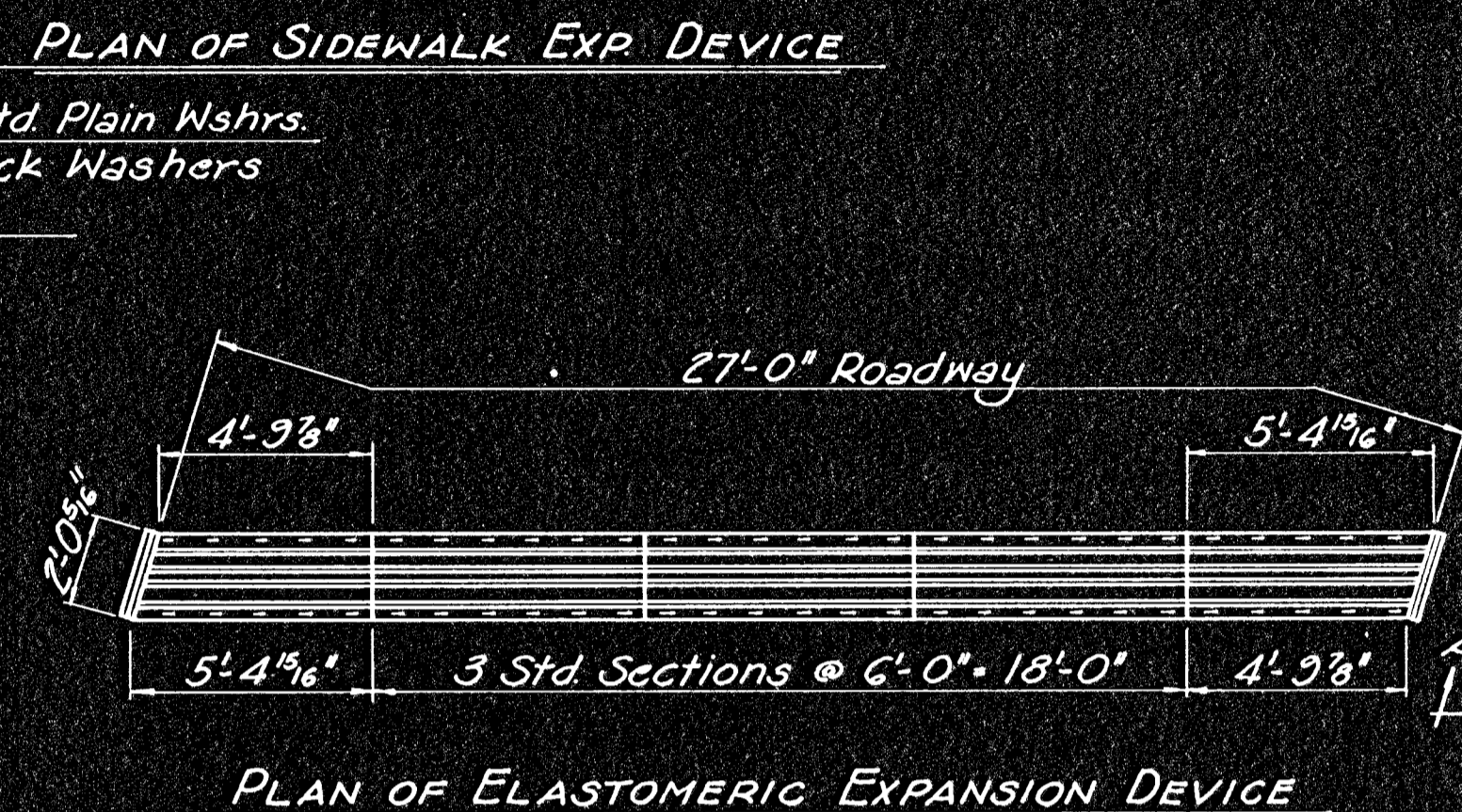
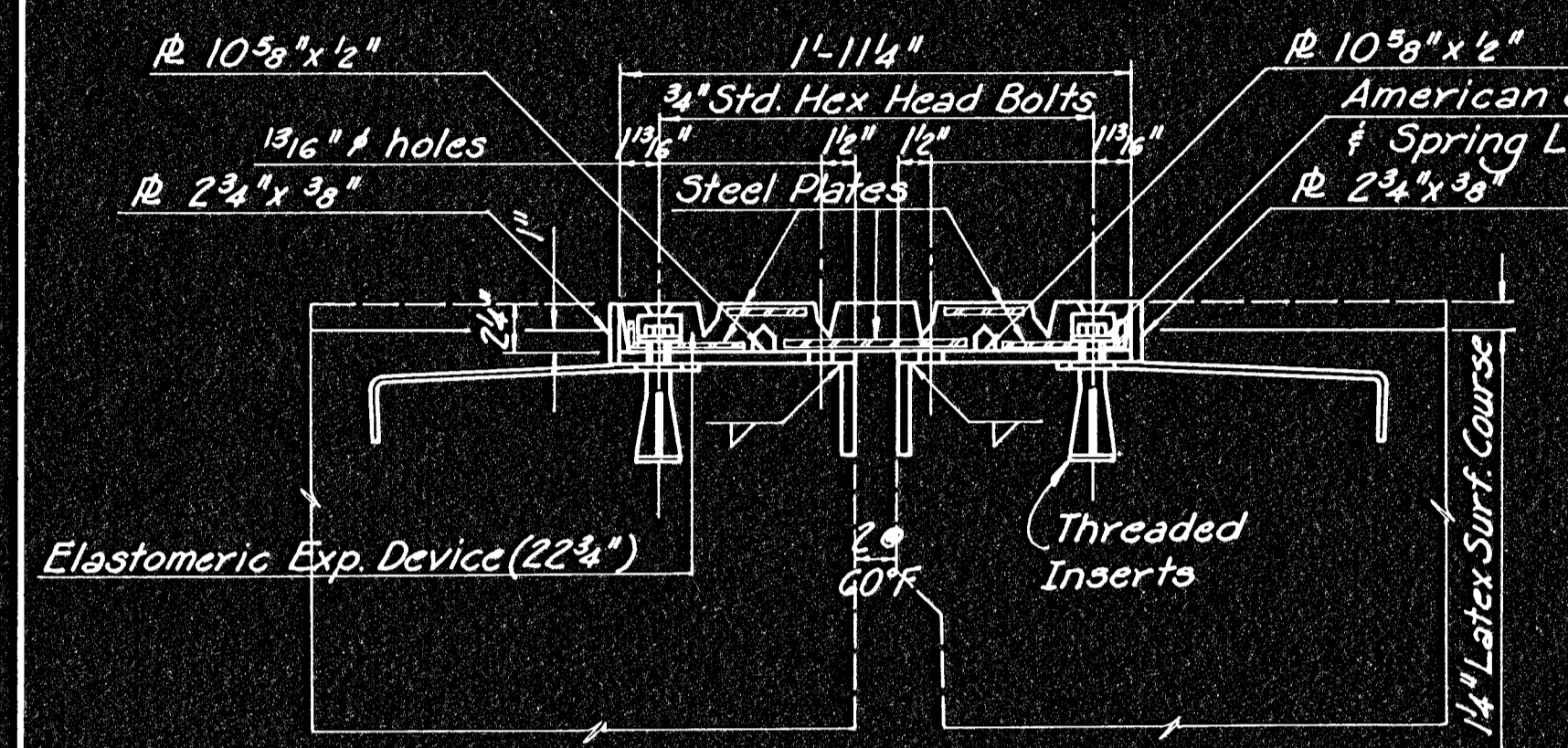
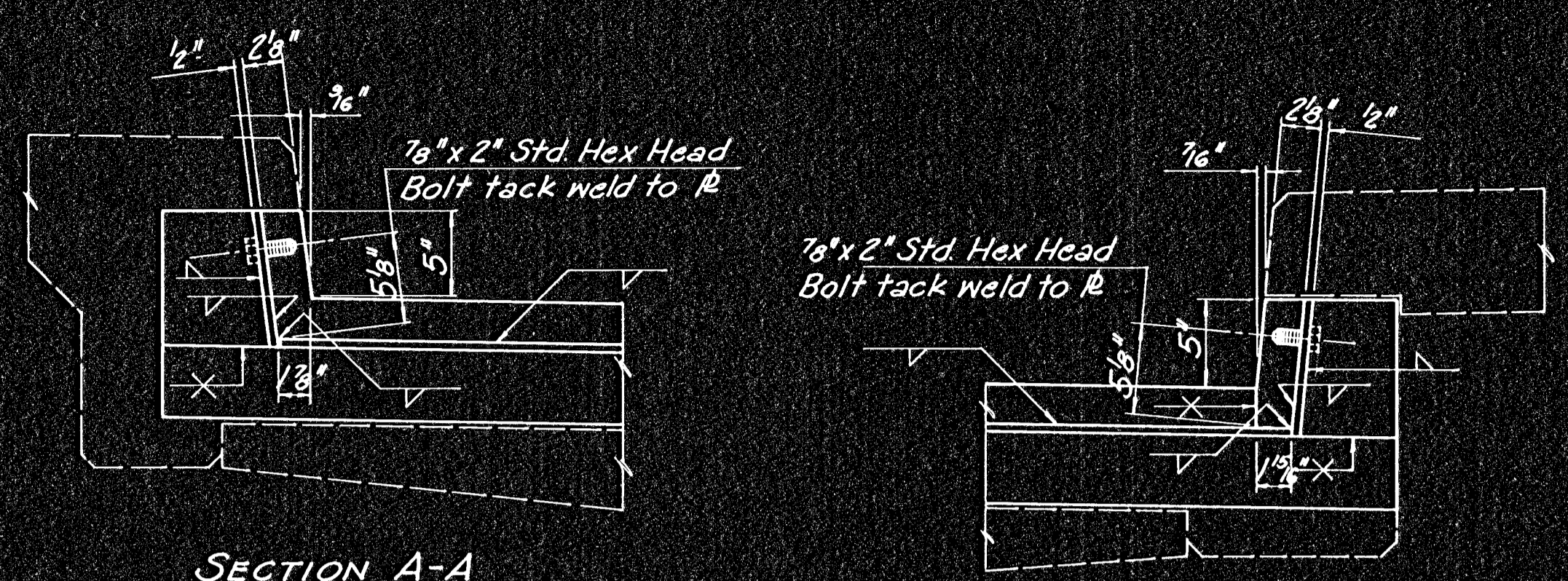
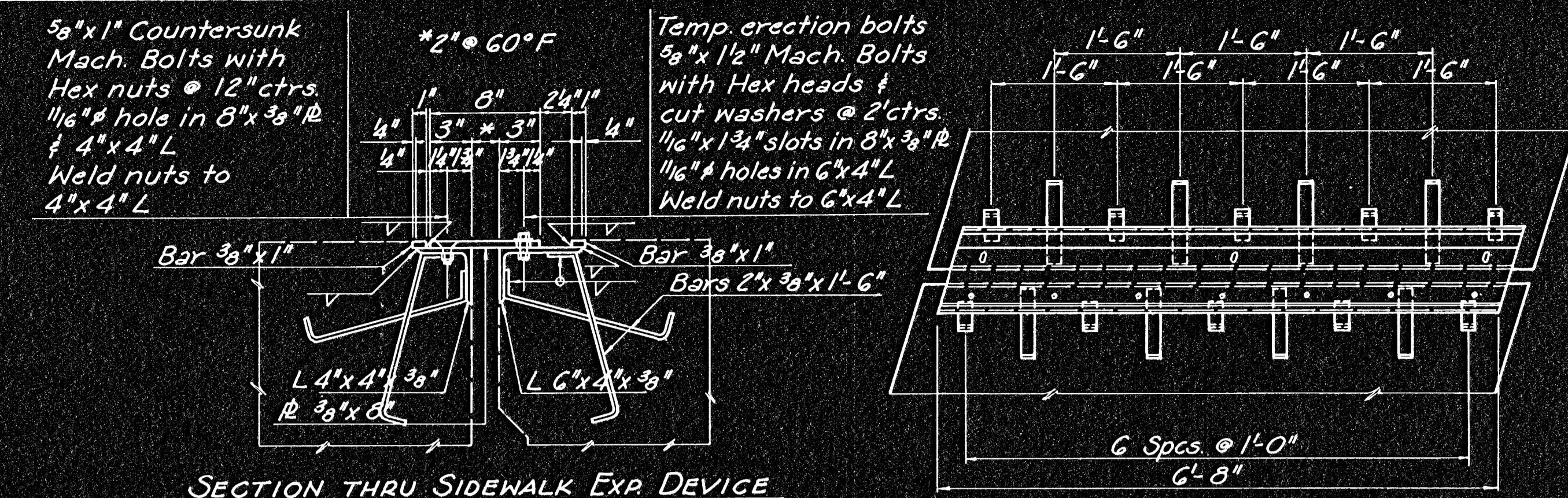
BEAM INSERT PLATES AND ASSEMBLIES ARE SUBSIDIARY TO THE ITEM OF PRESTRESSED CONCRETE BEAMS.

ALL PARTS OF BEARING DEVICES, EXPANSION DEVICES AND BEAM INSERTS SHALL BE A36 STEEL, EXCEPT THAT SELF-LUBRICATING BRONZE PLATES (CAST BRONZE ALLOY) SHALL BE ASTM B22, ALLOY B.

STEEL PLATE FRAMEWORK, BOLTS, WASHERS AND THREADED INSERTS ARE SUBSIDIARY TO THE ITEM OF ELASTOMERIC EXPANSION DEVICE (22 3/4").

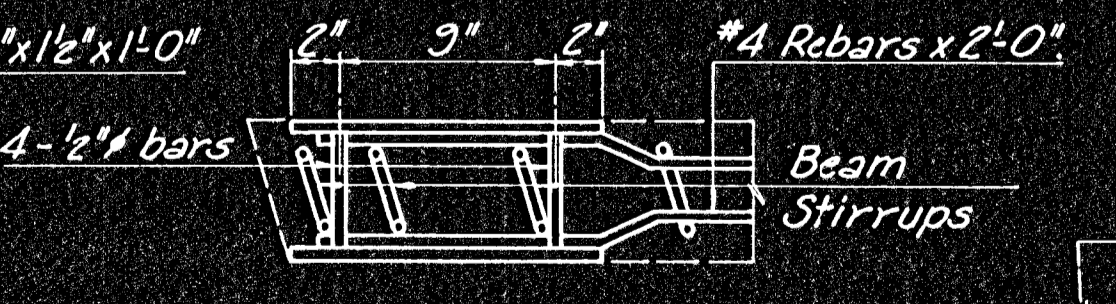
TAKE SPECIAL CARE THAT ALL BASE PLATES ARE EXACTLY LEVEL BOTH DIRECTIONS, WITH FULL BEARING ON GROUT, ONLY (NO SHIMS OR WEDGES), AND ALL 3/4" STUDS IN EXACT ALIGNMENT ACROSS EACH END OF EACH BEAM; SET ALL CAST BRONZE ALLOY PLATES AT EACH END OF EACH BEAM WITH THE SAME CLEARANCE IN SLOTS BEFORE SETTING BEAMS.

ELASTOMERIC BEARING PADS SHALL CONTAIN POLYCLOROPRENE AS THE RAW POLYMER. HARDNESS SHALL BE DUROMETER, SHORE A, 55 ± 5. STEEL LAMINATES SHALL BE ROLLED MILD STEEL CONFORMING TO ASTM A-36 OR A-570, GRADE C.



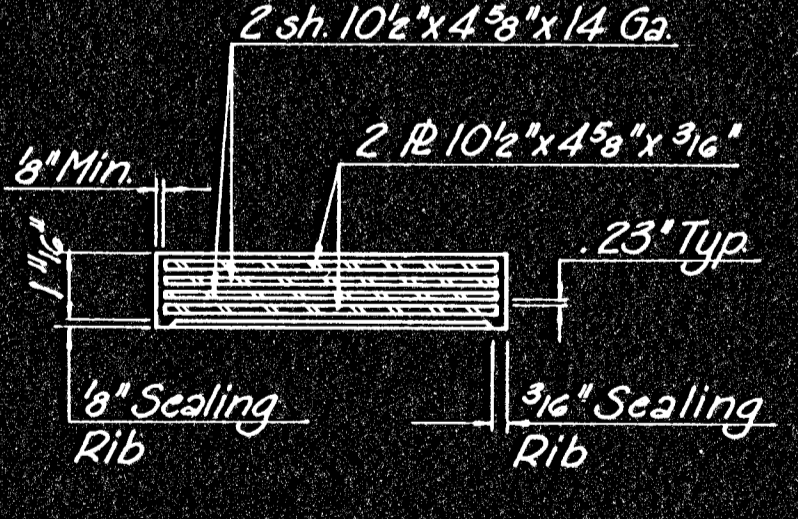
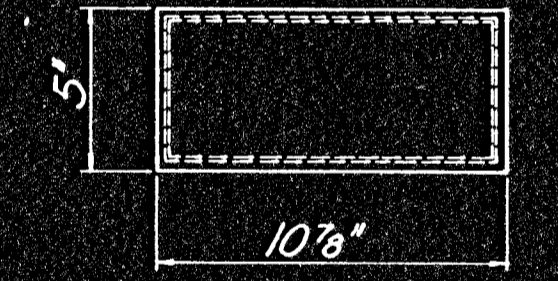
BEAM INSERT DET. AT MID-SPAN (20 Req'd)

ROADWAY BEAM INSERT DETAILS AT PIERS No. 1 & 6 (20 Req'd)

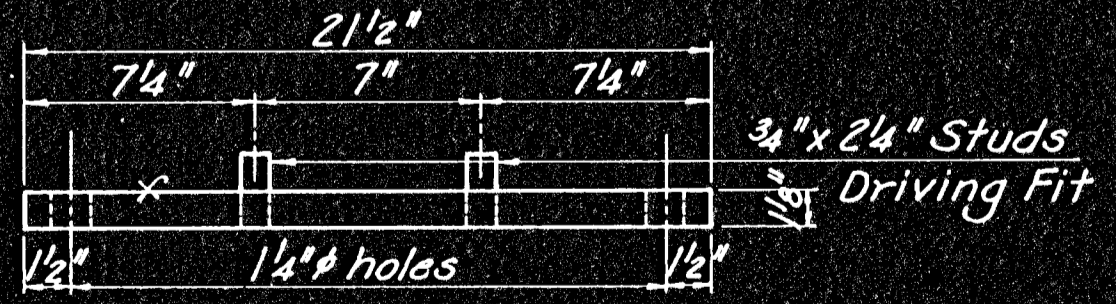


SIDEWALK BEAM INSERT DETAILS AT PIERS No. 1 & 6 (8 Req'd)

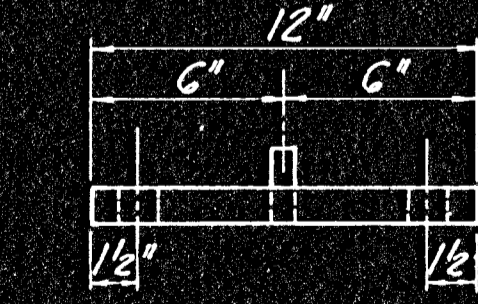
\*Subsidiary to Prestressed Concrete Beams



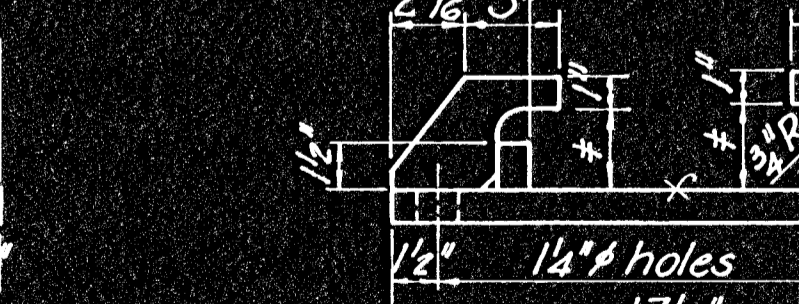
ELASTOMERIC BEARING PAD (16 Req'd)



ASSEMBLED ROWY UNIT



BEARING DEVICE DETAILS PIERS 1 & 6 Only



ASSEMBLED SIDEWALK UNIT

SUPV. P. C. T. DES. DR. TR. C. D. APP. 100

Rev. 10/29/74

CITY OF WICHITA, KANSAS  
R.W. LINN, P.E., CITY ENGINEER  
FIRST STREET BRIDGE OVER  
THE ARKANSAS RIVER  
**STEEL DETAILS**

DELAMATER, FREUND & SCHERER, P.A.  
CONSULTING ENGINEERS  
WICHITA, KANSAS

SCALE DATE June, 1974 DWG. NO. 89-G-23