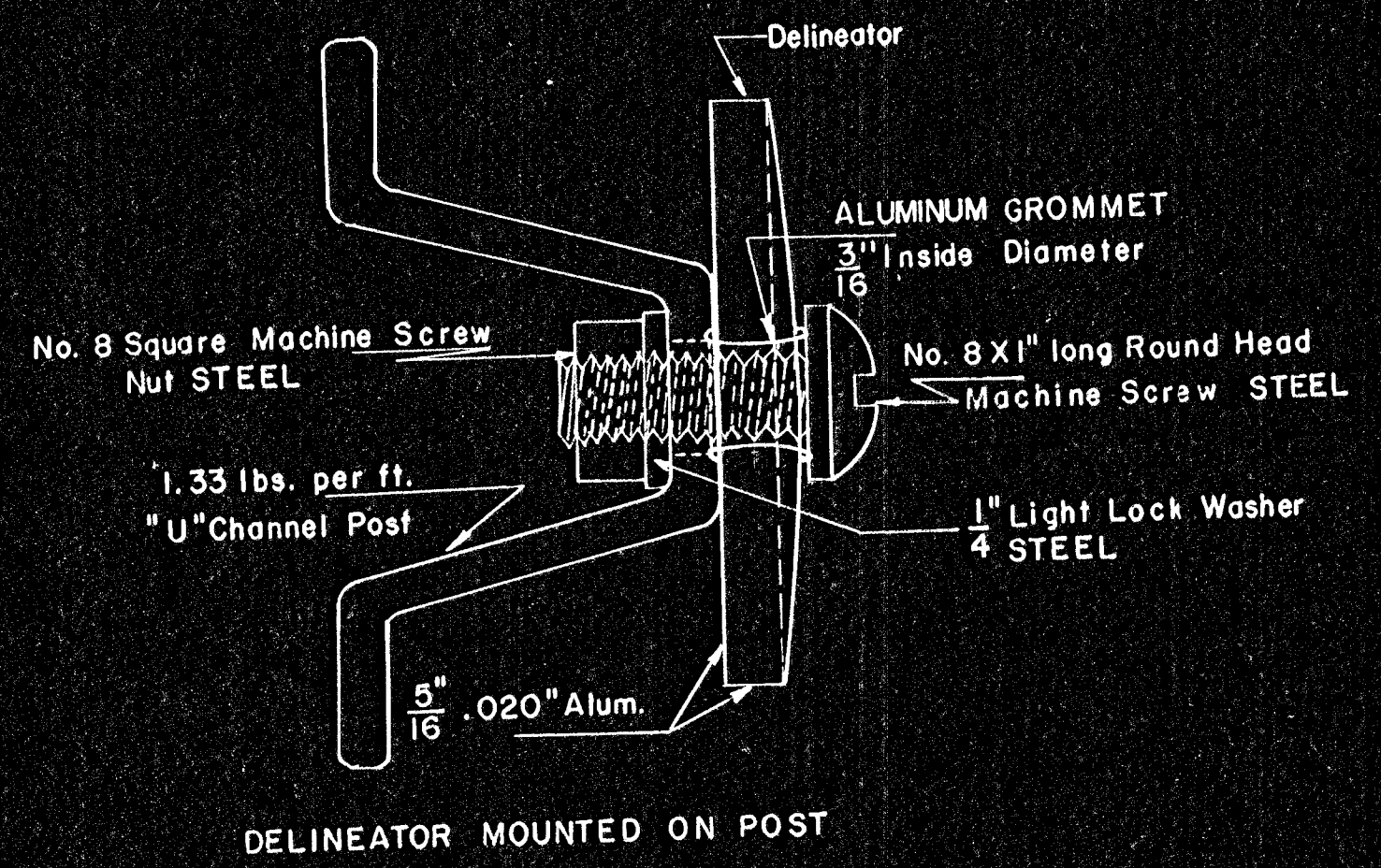
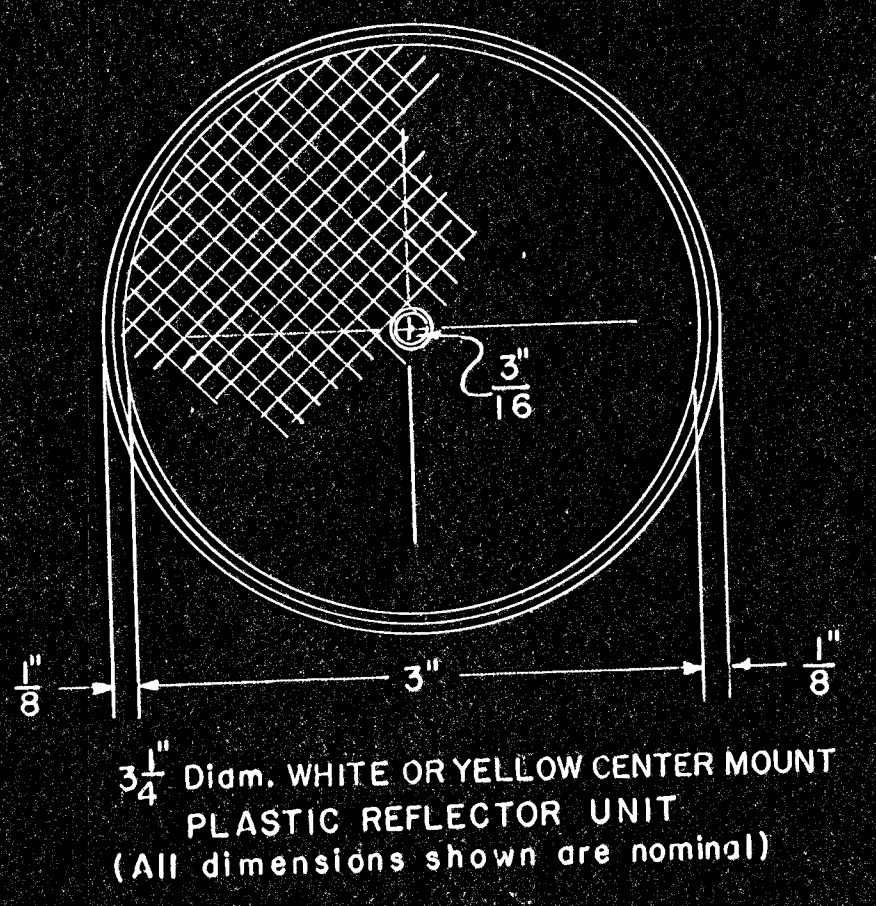
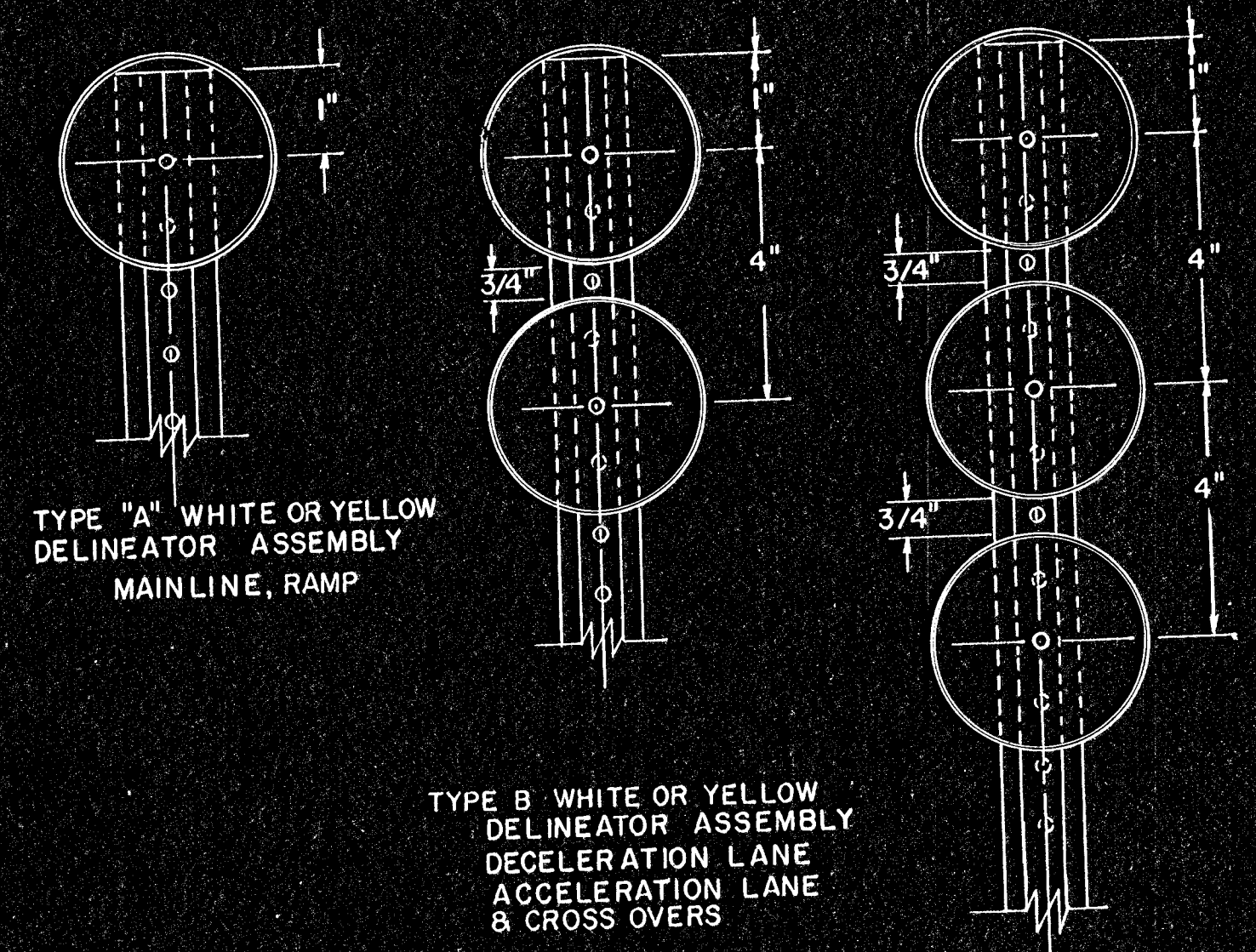


DELINEATOR ASSEMBLIES ReflectORIZED Sheeting



PATTERN OF DELINEATION

ROAD TYPE	RIGHT EDGE DELINEATOR	LEFT EDGE DELINEATOR
MAIN LINE	SINGLE WHITE	SINGLE YELLOW
ACCELERATION & DECELERATION LANE	DOUBLE WHITE	DOUBLE YELLOW
RAMP	SINGLE WHITE	SINGLE YELLOW

FASTENING ACCESSORIES: All items of fastening accessories are required to be Zinc or Cadmium plated. The machine screws and nuts shall comply with Sec. 1006.14, and the washers shall comply with Sec. 1006.14(e) of the Standard Specifications For State Road And Bridge Construction (1973 EDITION)

COLOR SPECIFICATIONS FOR DELINEATORS:
 3" X 8" - Delineator face to be covered with enclosed lens white reflective sheeting.
 5" X 5" - Delineator face to be covered with enclosed lens yellow reflective sheeting.
 The type of adhesive for reflective sheeting may be solvent activated, heat activated or pressure sensitive.
 3/4" Dia. White and or yellow button type delineator see Alternate No. 2 Section 102.03, 1973 Edition Standard Specifications for State Road and Bridge Construction, State Highway Commission of Kansas.

DELINEATOR POSTS: Galvanized, unpunched weight shall be 1.33 lb/per foot of length. A minus weight tolerance of 3 percent will be permitted. The plus tolerance is not limited. Hole spacing and alignment tolerance shall be 1/16". Hole punching shall not produce radial cracks in the surrounding metal and holes shall be free from cockles and burrs. Front and back faces shall be approximately parallel and the flanges of the open end shall be approximately flat and in the same plane. The cross section shall be symmetrical about the center axis perpendicular to the front and back.
 Galvanizing shall conform to Sec. 1006.20 (b), (3) of the Standard Specifications For State Road and Bridge Construction (1973 Edition)

11	4-13-76	Delineator Colors & Types	AFT	AFT
10	11-5-75	Chg. Number to Yellow Silver to White	W	AT
9	8-8-75	Delineation @ Off-Ramp Gore	AT	AT
8	9-23-74	Delineation @ On-Ramp Gore	AT	AFT
7	11-6-73	Chg. Punching on Deline Post	L.F.	AFT
6	10-26-71	Delineator Hole & Washer Size	RH	AFT

NO.	DATE	REVISIONS	BY	APP'D
5	11-2-70	Chg. Del. Screw from 1/4" to 3/8" U.A.	W	AFT
4	3-10-70	Chg. Del. Screw from 1/4" to 3/8" U.A.	W	AFT
3	3-6-70	Deleted SF designation from screw	W	AFT
2	9-25-68	Added note for galvanizing fasteners	CM	AFT
1	5-20-63	Chg. Punching on Deline Post (top hole)	W	AFT

KANSAS DEPARTMENT OF TRANSPORTATION
 DESIGN AND ASSEMBLY DETAILS
 AND POSITIONING FOR
 DELINEATORS

SHEET NO. 4 OF 143 SCALE: EV
 DESIGNED BY: EV
 DESIGN CK: EV
 APP'D: [Signature]
 QUANTITIES: EV
 TRACE CK: EV