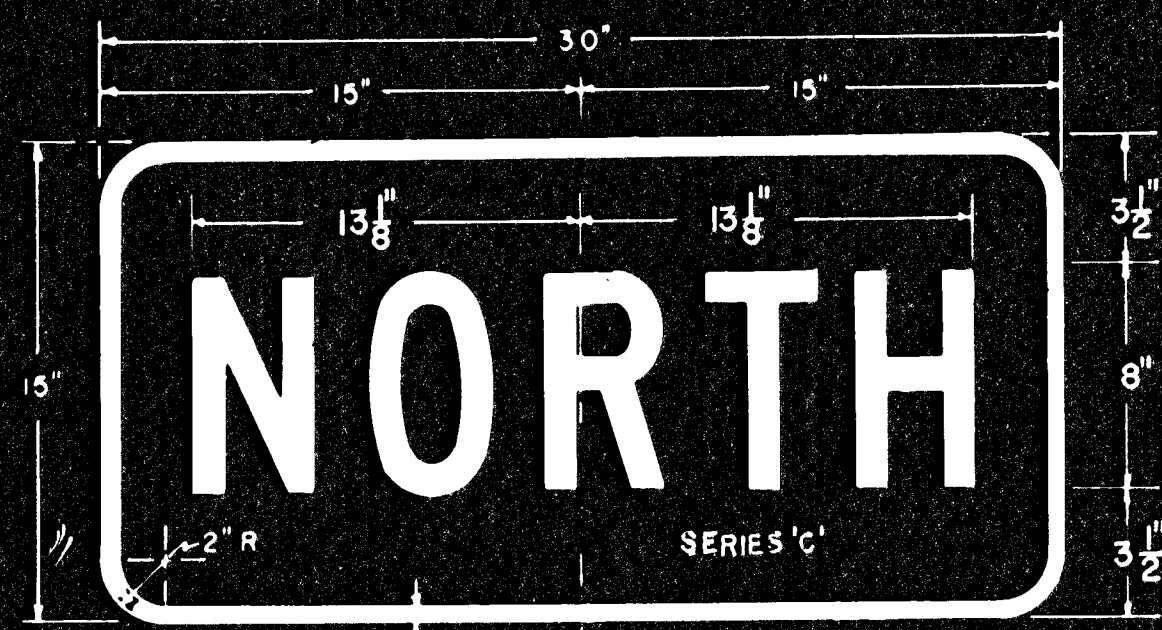


FHWA REGION NO.	STATE	PROJECT NO.	FISCAL YEAR	SHEET NO.	TOTAL SHEETS
7	KANSAS		1978	54	143

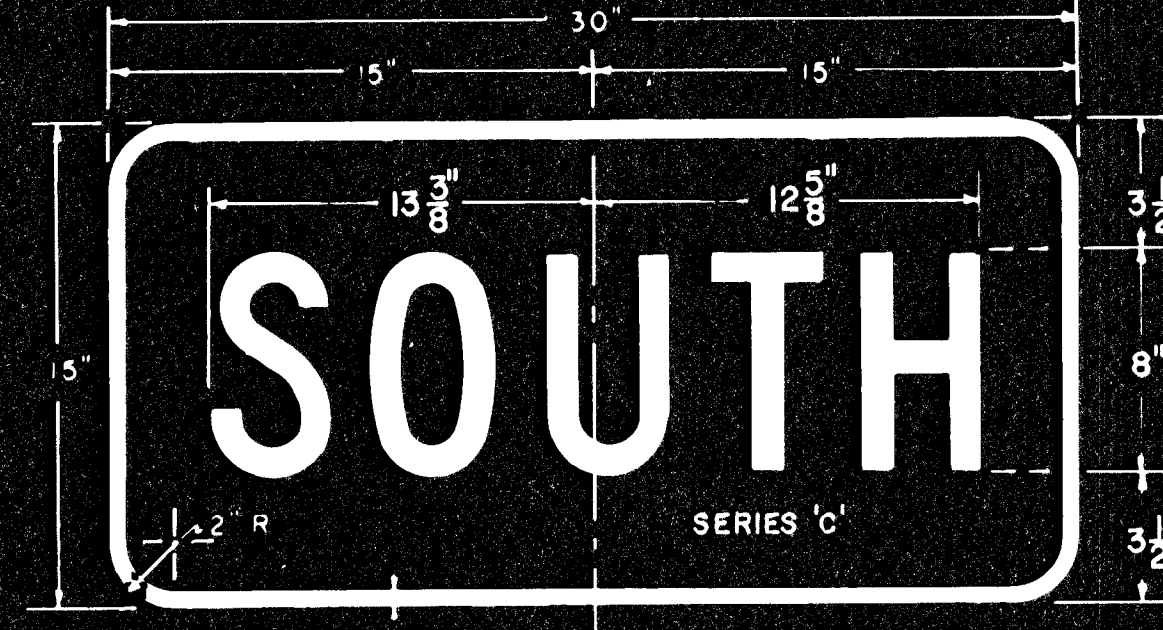
PROJ. NO. (BC)96-87 K-044-1(28) P.T'S I & II



M3-1



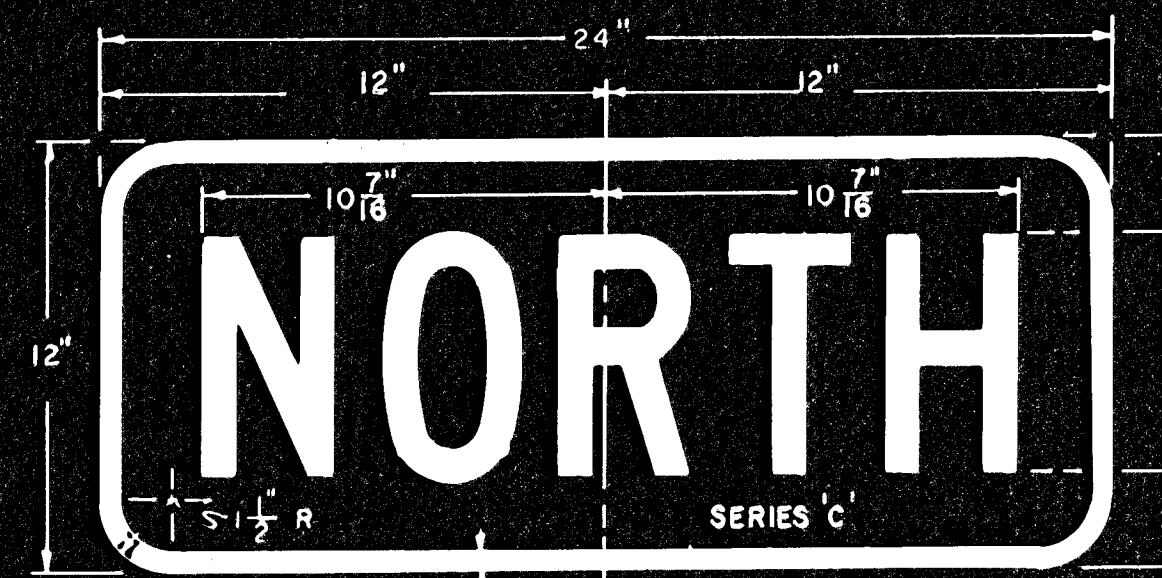
M3-2



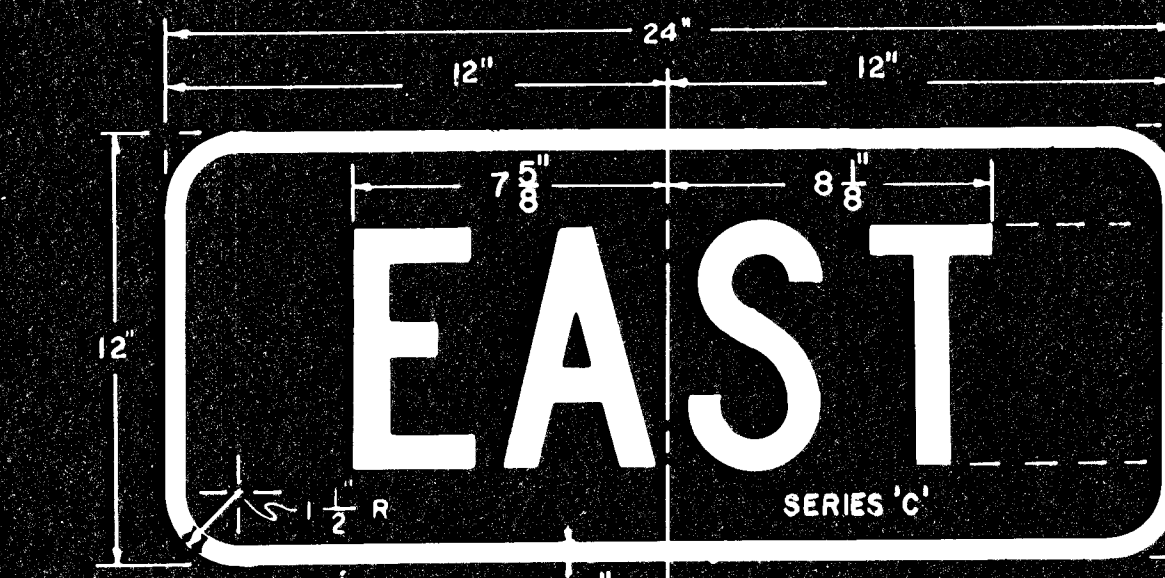
M3-3



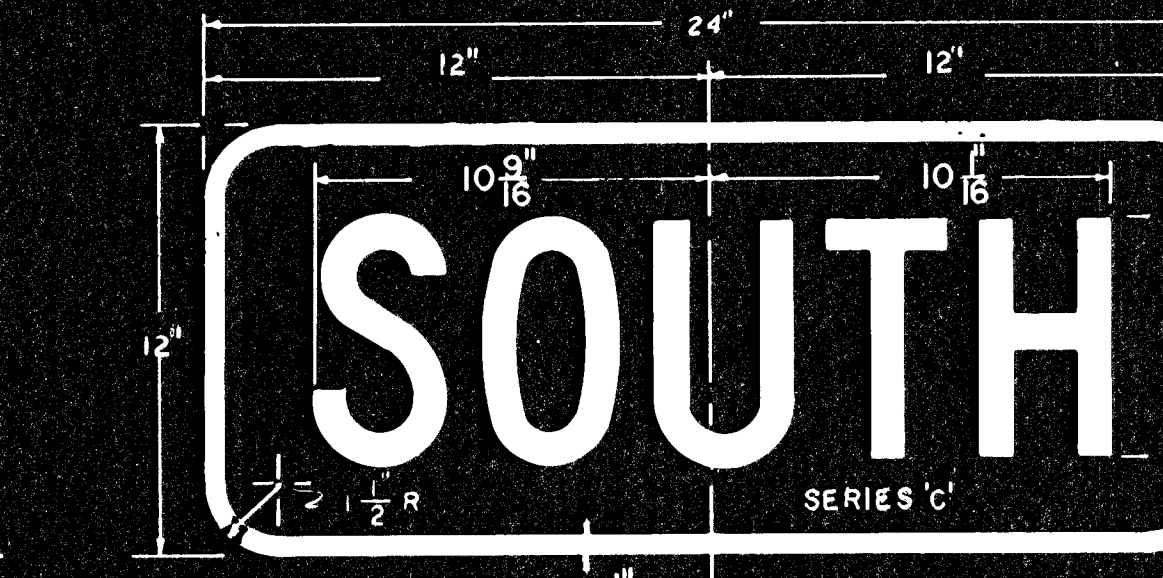
M3-4



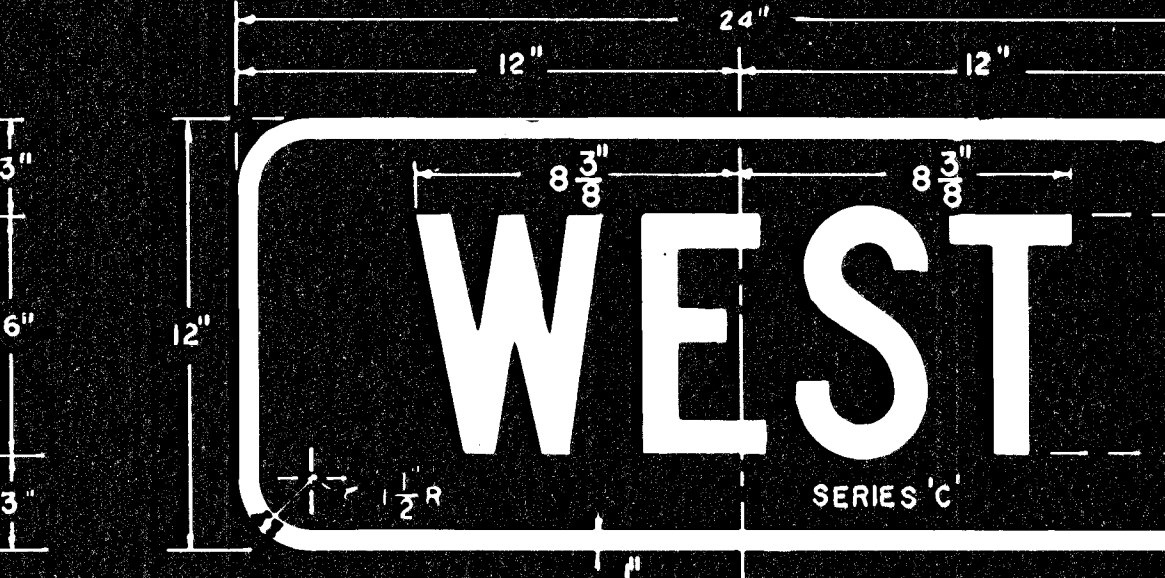
M3-1



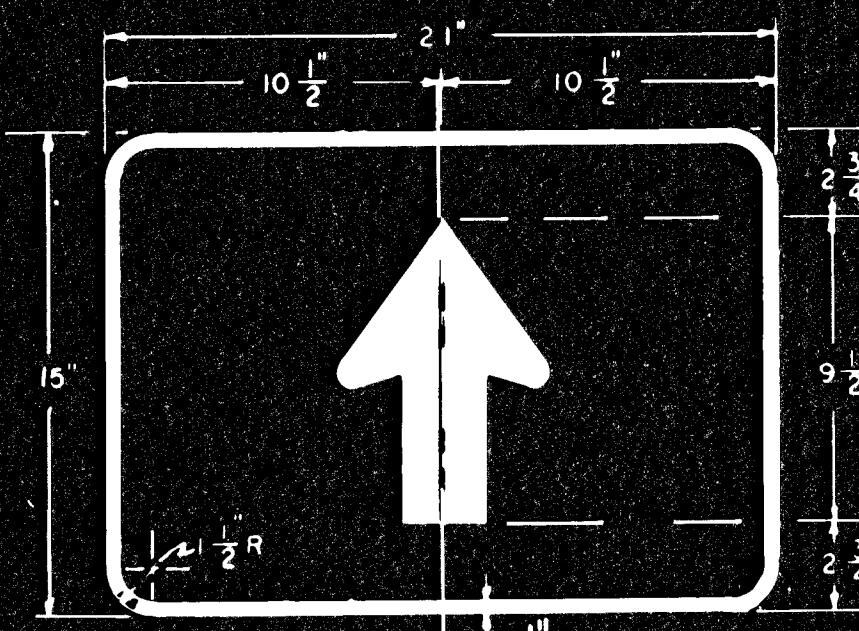
M3-2



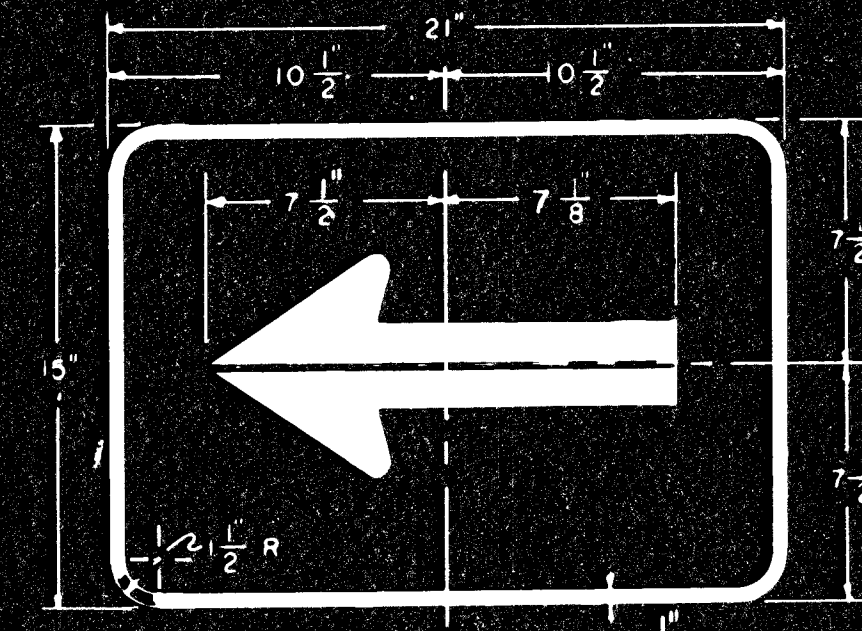
M3-3



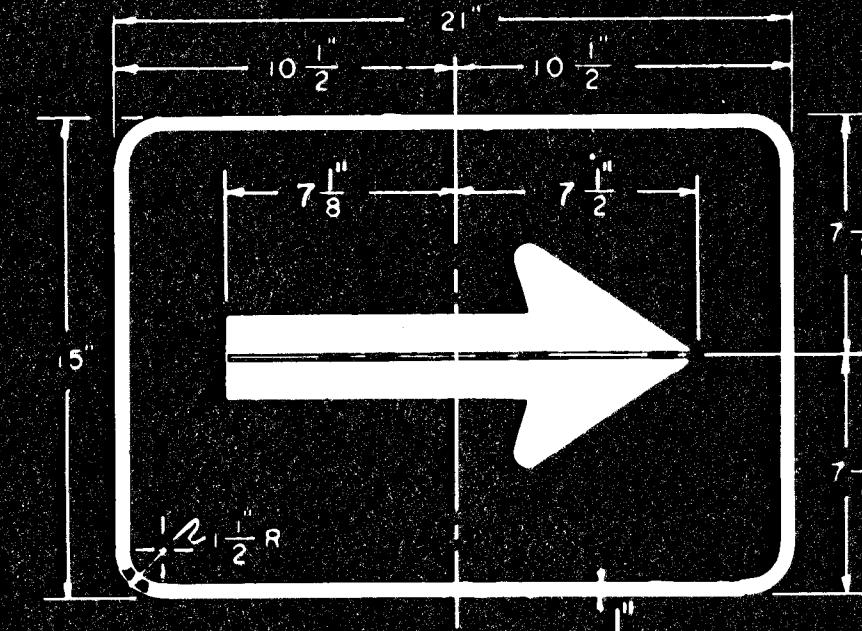
M3-4



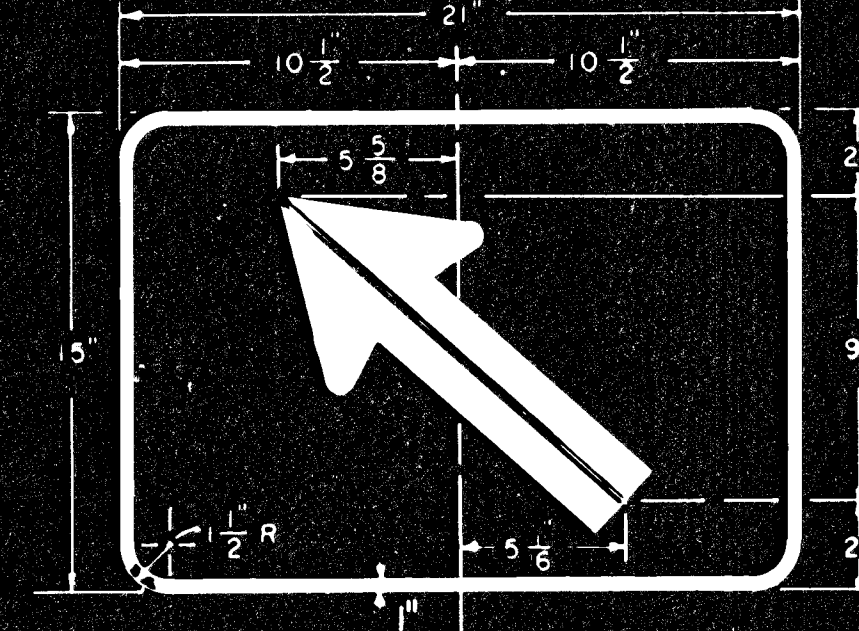
M6-3



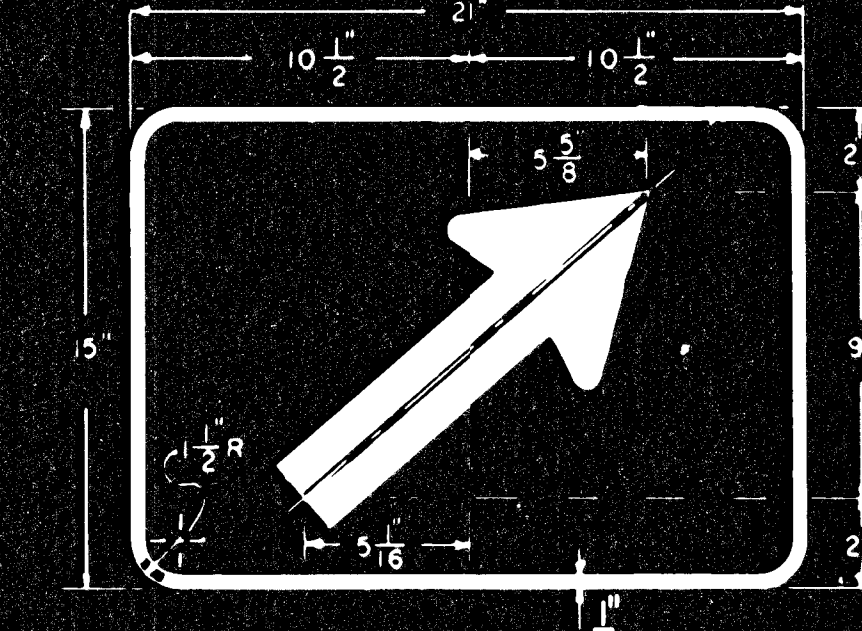
M6-1L



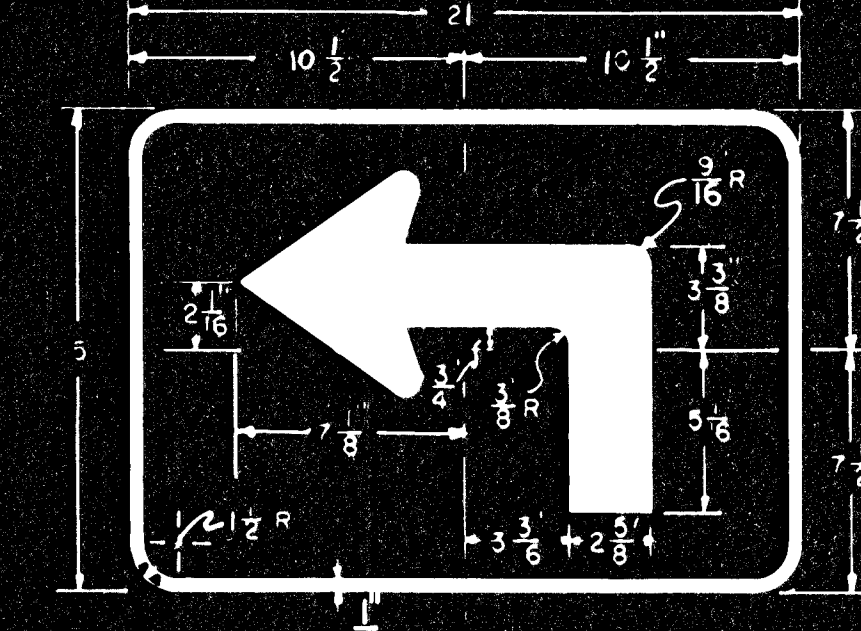
M6-1R



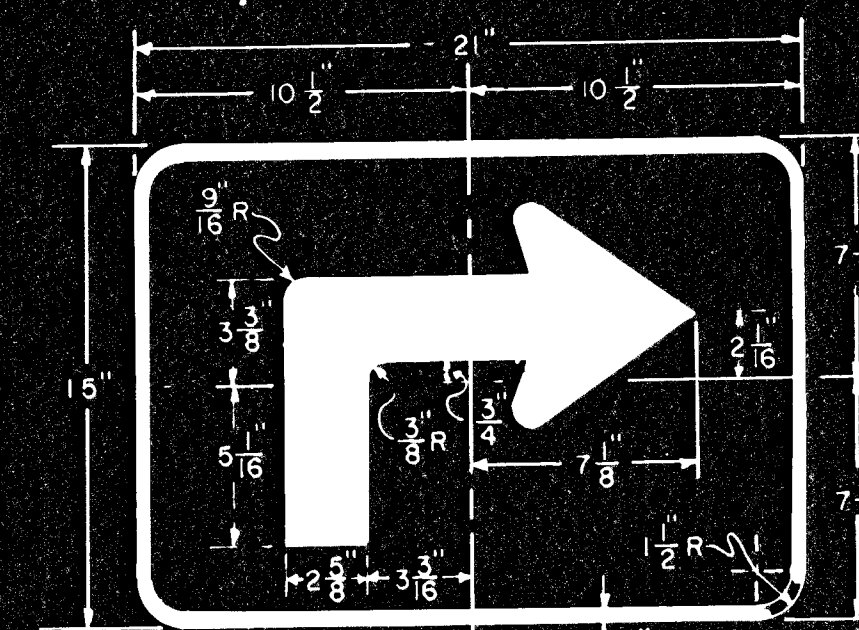
M6-2L



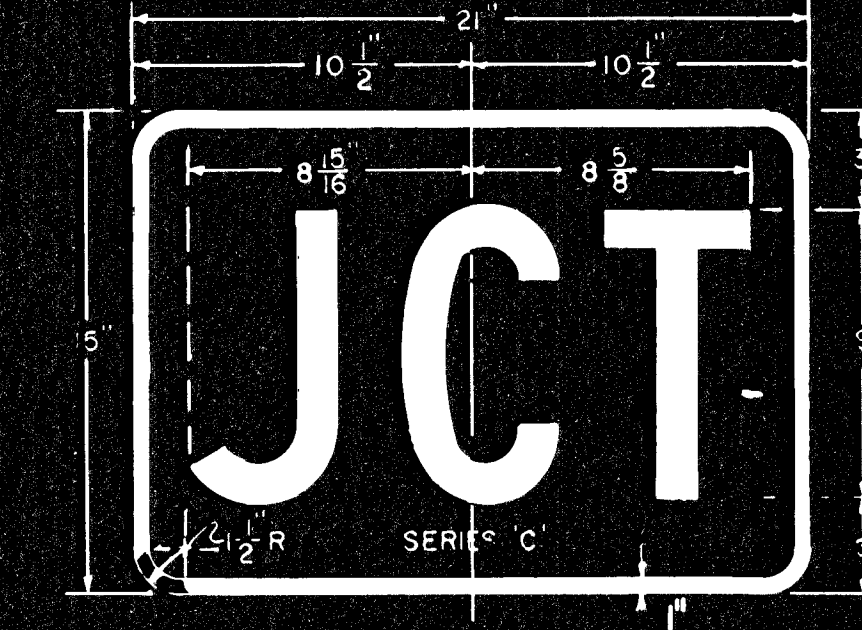
M6-2R



M5-1L



M5-1R



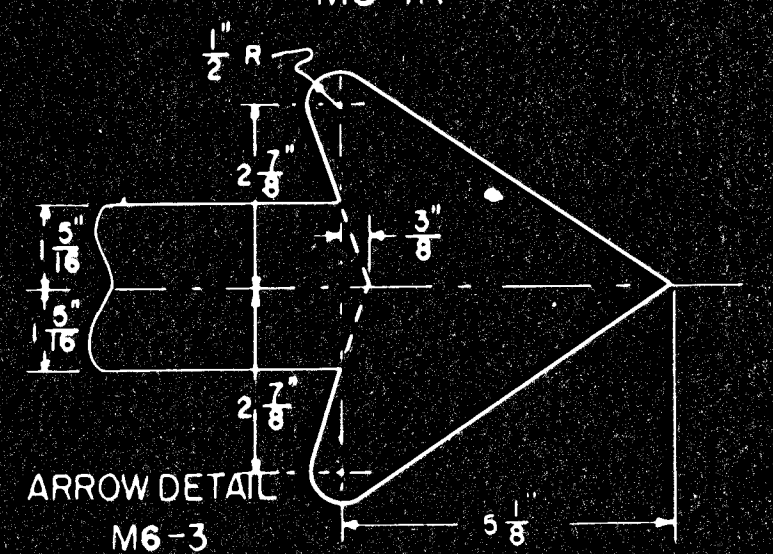
M2-1

NOTES:

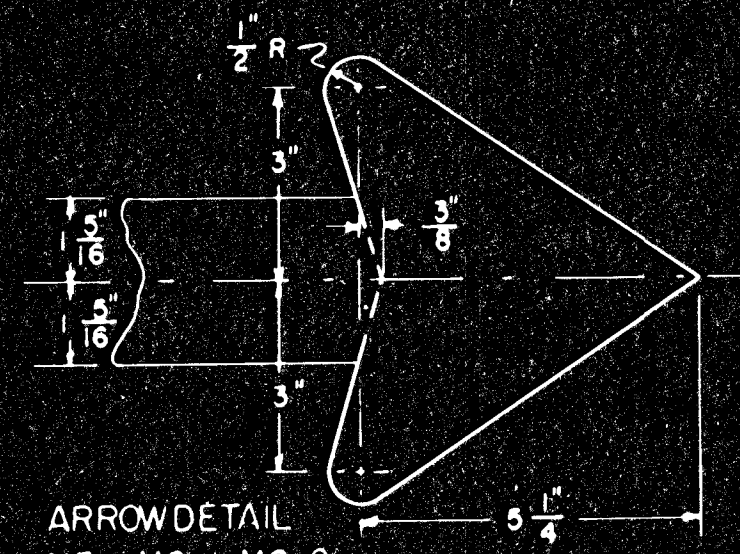
COLOR SPECIFICATIONS (Reverse Screen Process)  
 Sign face shall be covered with enclosed lens silver reflective sheeting.  
 Background for legend shall be transparent blue process ink.

See flat sheet detail sheets for aluminum alloys and thickness required.  
 The type of adhesive for reflective sheeting may be solvent activated, heat activated or pressure sensitive.

Areas of Signs in Sq. Ft.  
 30" x 15" = 3.13  
 24" x 12" = 2.00  
 21" x 15" = 2.19



ARROW DETAIL  
M6-3



ARROW DETAIL  
M5-1, M6-1, M6-2

NO.	DATE	REVISIONS	BY	APP'D.
1	2-2-77	M6-1 Size Chg. 21'x9" To 24'x12"	W	AFI

KANSAS DEPARTMENT OF TRANSPORTATION  
 DESIGN DETAILS  
 FOR  
 INTERSTATE GUIDE SIGNS

SHEET NO. 54 OF 143 SCALE: APP'D. *Julian J. [Signature]*  
 DESIGNED: H.H. QUANTITIES: 1,194 L.F.  
 DESIGN: W. DETAIL: W. QUAN: CA