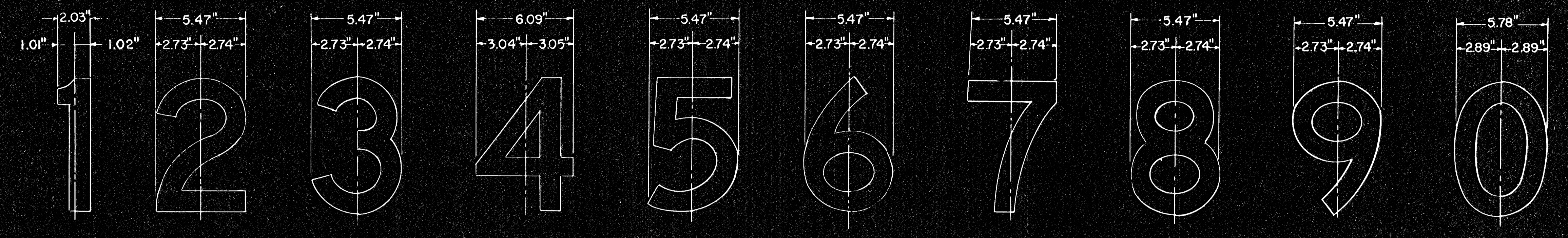
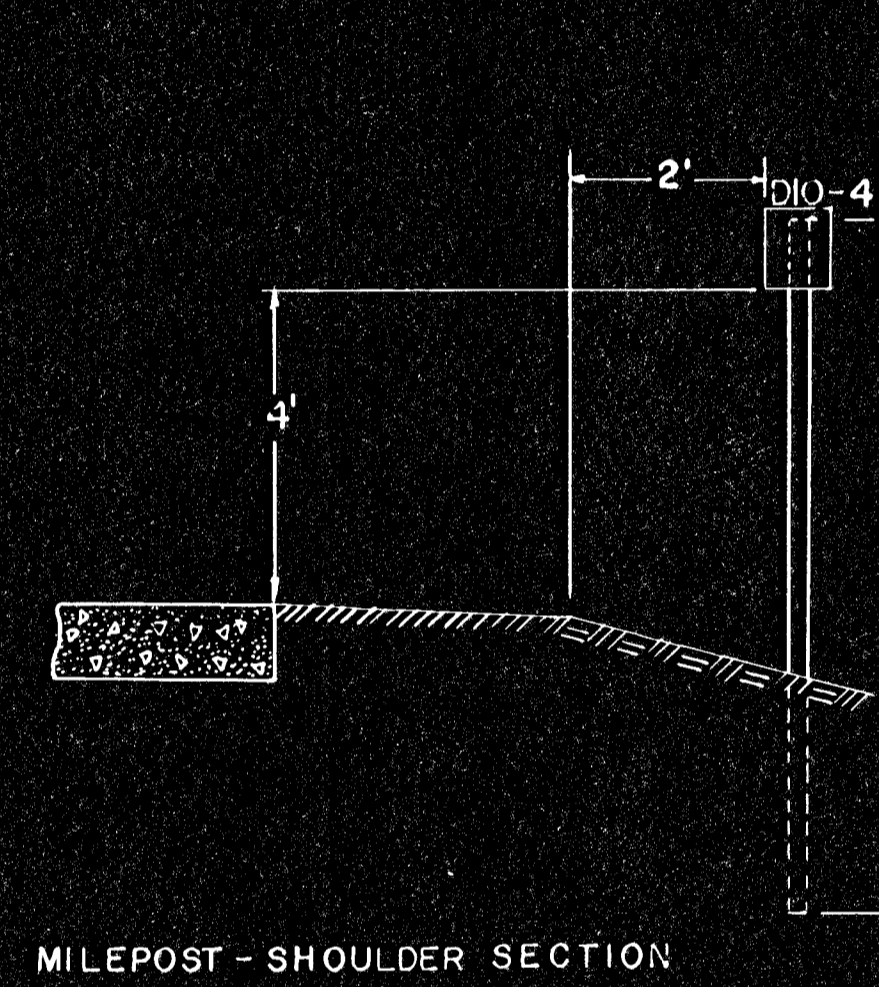


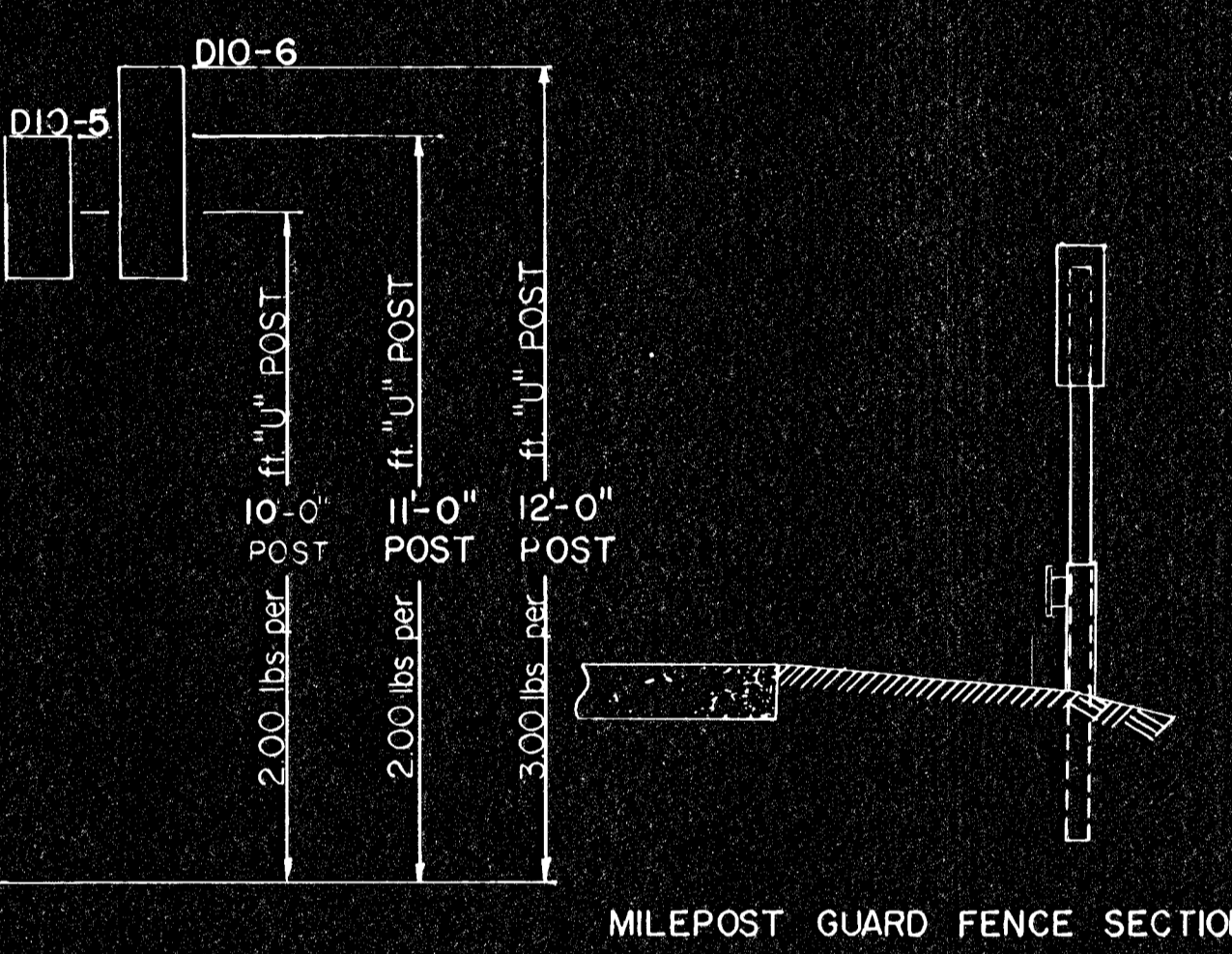
M	.84	L	.84	L	.67	E	2.00
4" SERIES 'C' LETTERS							



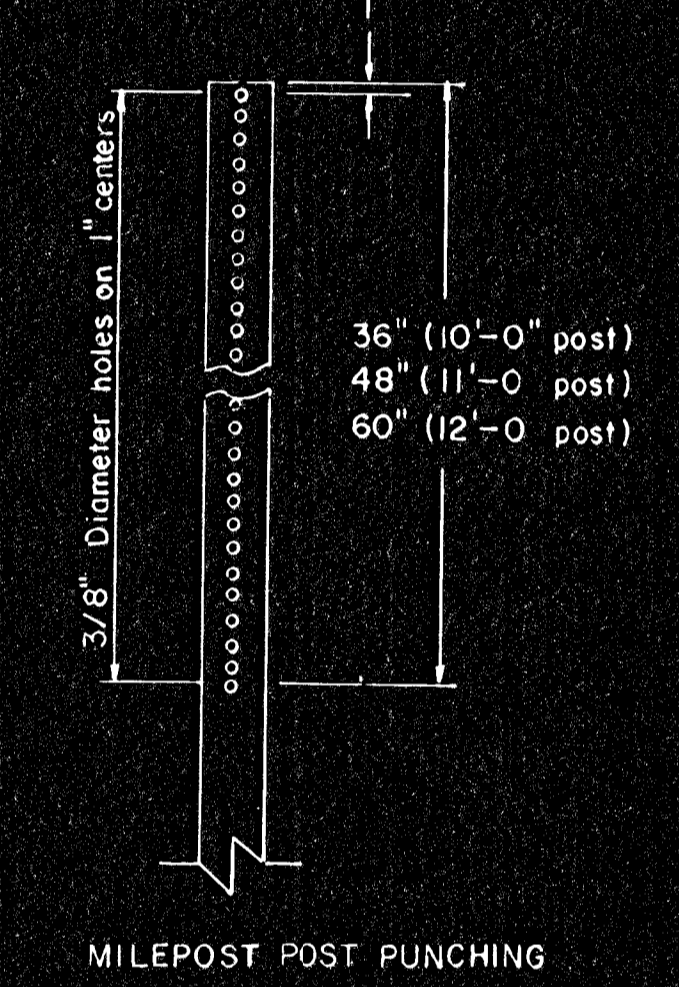
ALL NUMBERS SHALL BE SERIES "C" 10"



MILEPOST - SHOULDER SECTION



MILEPOST GUARD FENCE SECTION



MILEPOST POST PUNCHING

NUMBER	STATION
13	312+84 Lt. & Rt.
14	365+64 Lt. & Rt.
285	914+47 EB
285	914+47 WB

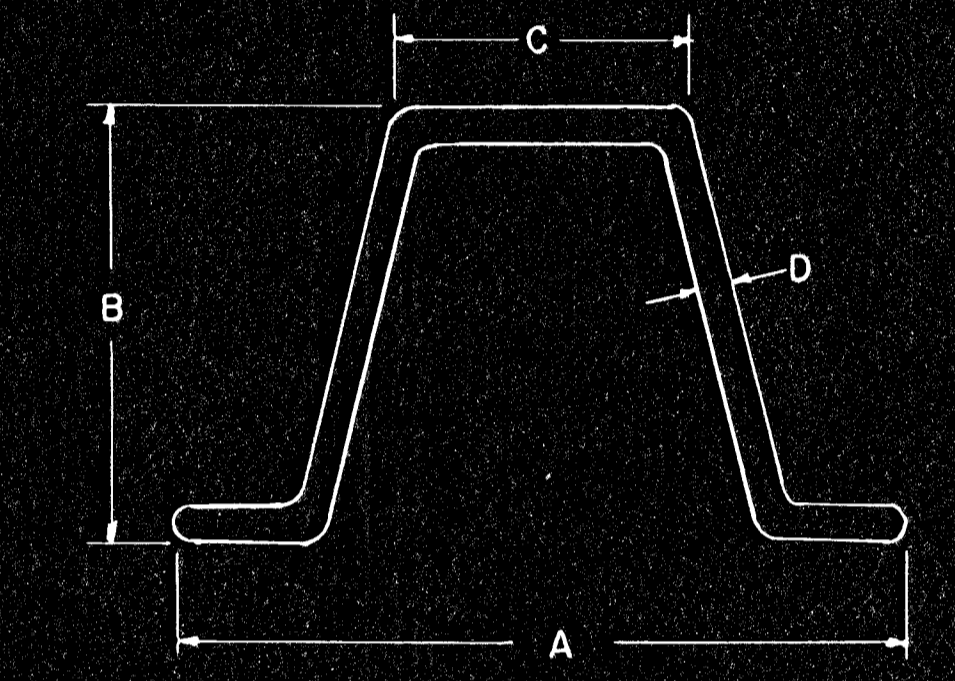
**NOTE:**  
SIGN BLANK:  
Sign blank shall be constructed from flat sheet aluminum as specified on the Detail For Flat Sheet Sign Blanks.

**REFLECTORIZAZION:**  
Sign blank face shall be covered with enclosed lens silver reflective sheeting. Legend and border shall be formed by reverse screening transparent green process ink onto the background.

The type of adhesive for reflective sheeting may be solvent activated, heat activated or pressure sensitive.

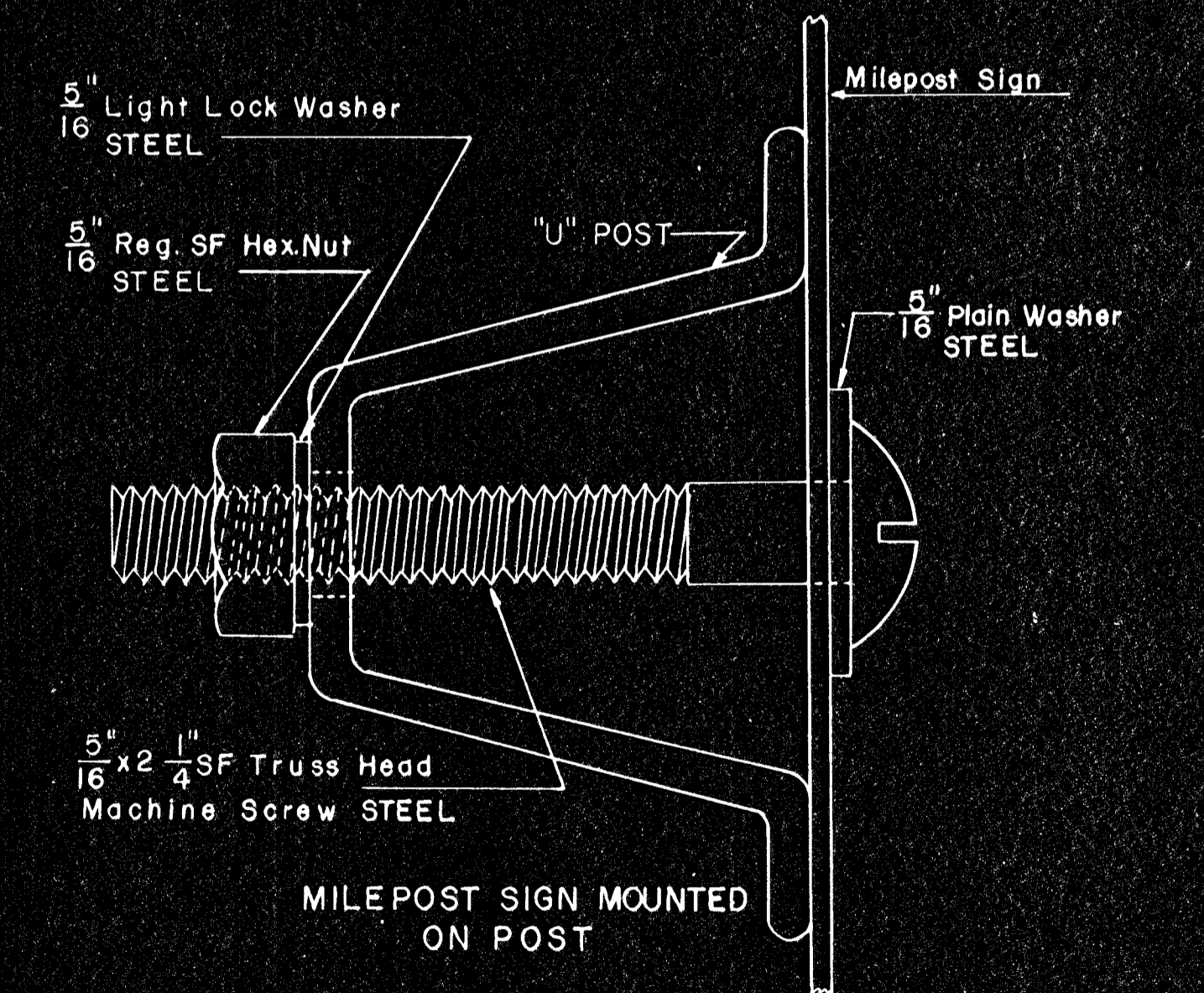
**FASTENING ACCESSORIES:**  
All items of fastening accessories are required to be Zinc or Cadmium plated. The machine screws and nuts shall comply with Sec. 1006.14 and the washers shall comply with Sec. 1006.14 of the Standard Specifications For State Road And Bridge Construction (1973 EDITION).

**MILEPOST POSTS**  
All "U" post sections for MILEPOST shall be galvanized. The posts shall comply with the weight tolerance of Sec. 1006.20(b)(1) & the coating requirements of Sec. 1006.20(b)(3) of the Standard Specifications For State Road And Bridge Construction (1973 EDITION).



MILEPOST POST Flanged Channel  
(All dimensions shown are nominal)

DIM.	2,000 lbs. per ft.	3,000 lbs. per ft.
A	3 1/8	3 1/2
B	1 7/32	1 3/4
C	1 1/4	1 5/8
D	1 1/8	9/16



MILEPOST SIGN MOUNTED ON POST

NO.	DATE	REVISIONS	BY	APP'D.
1	7-11-74	Chg. Dim. E Series of Numbers	J.L.H.	A.F.T.
2	2-19-74	Chg. Dim. of U POST	J.L.H.	A.F.T.
3	11-6-73	Chg. Punching in milepost post	LT	A.F.T.
4	10-6-72	Rev. to 1971 MUTCD	J.L.H.	A.F.T.

KANSAS DEPARTMENT OF TRANSPORTATION  
DESIGN AND ASSEMBLY DETAILS  
AND POSITIONING FOR  
MILEPOST

SHEET NO. 55 OF 143 SCALE \_\_\_\_\_ APP'T \_\_\_\_\_  
DESIGNED J.F.B. DETAILER E.V. QUANTITIES \_\_\_\_\_ TRACKED E.V.  
DESIGN C.K. DETAIL C.K. QUANT. C.K. TRACE C.K.