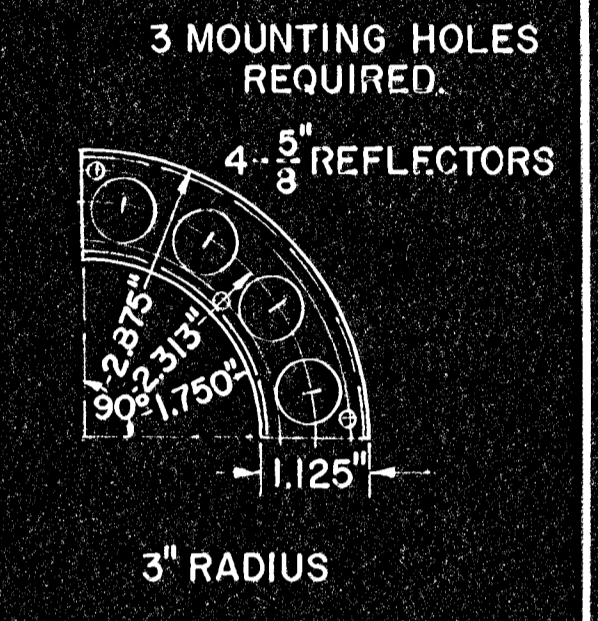
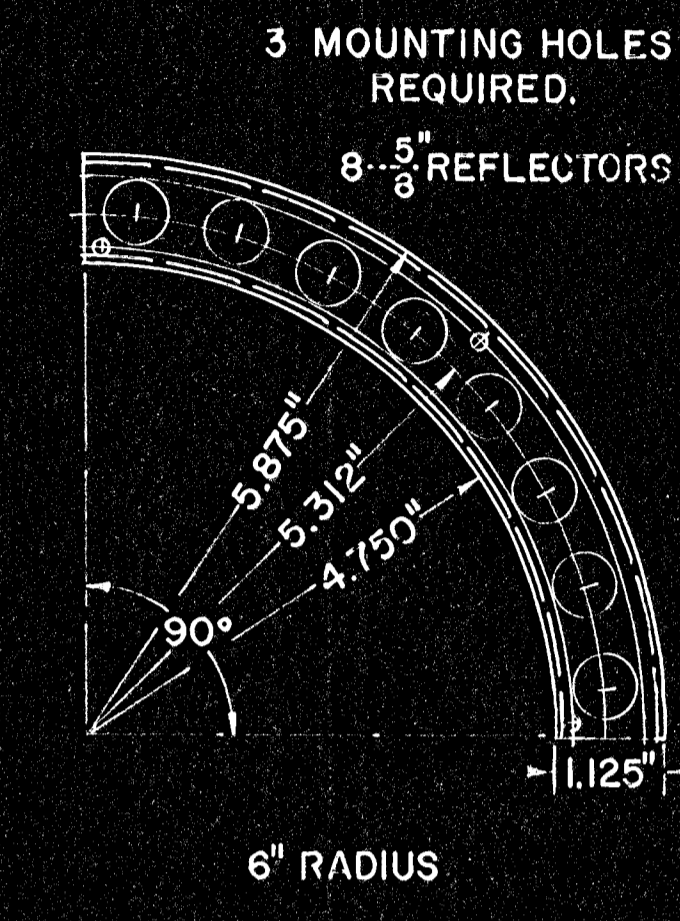
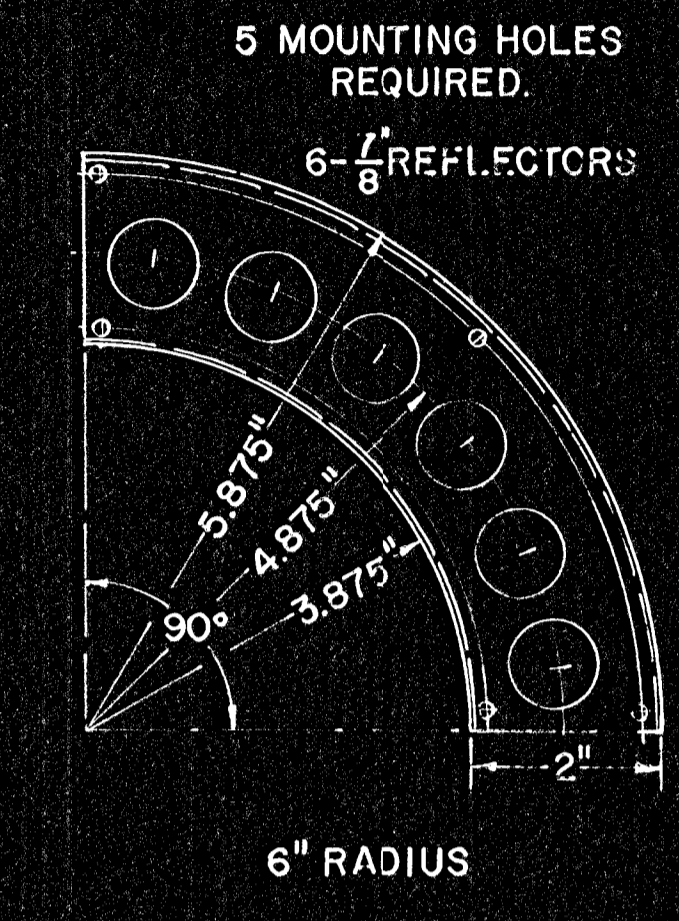
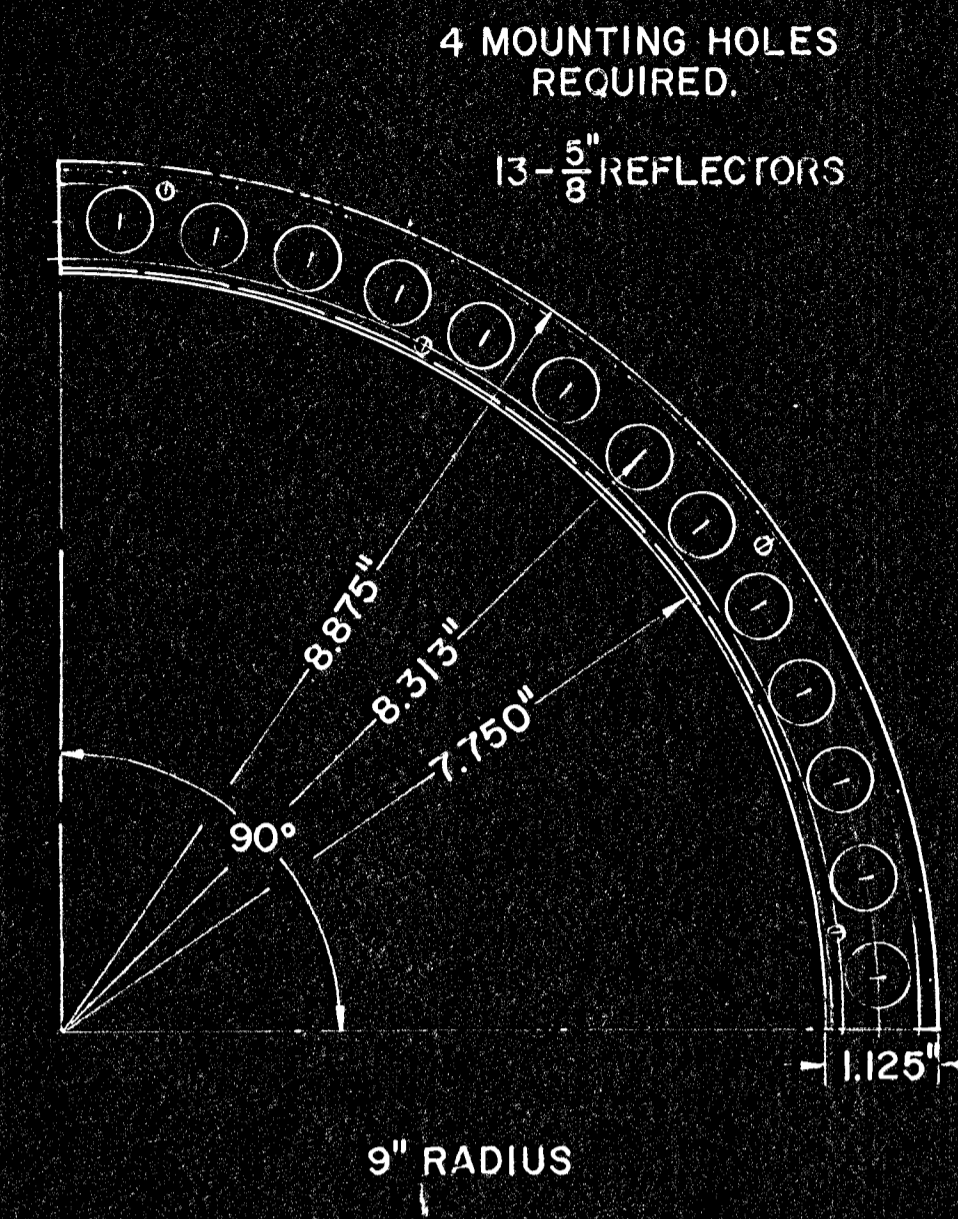
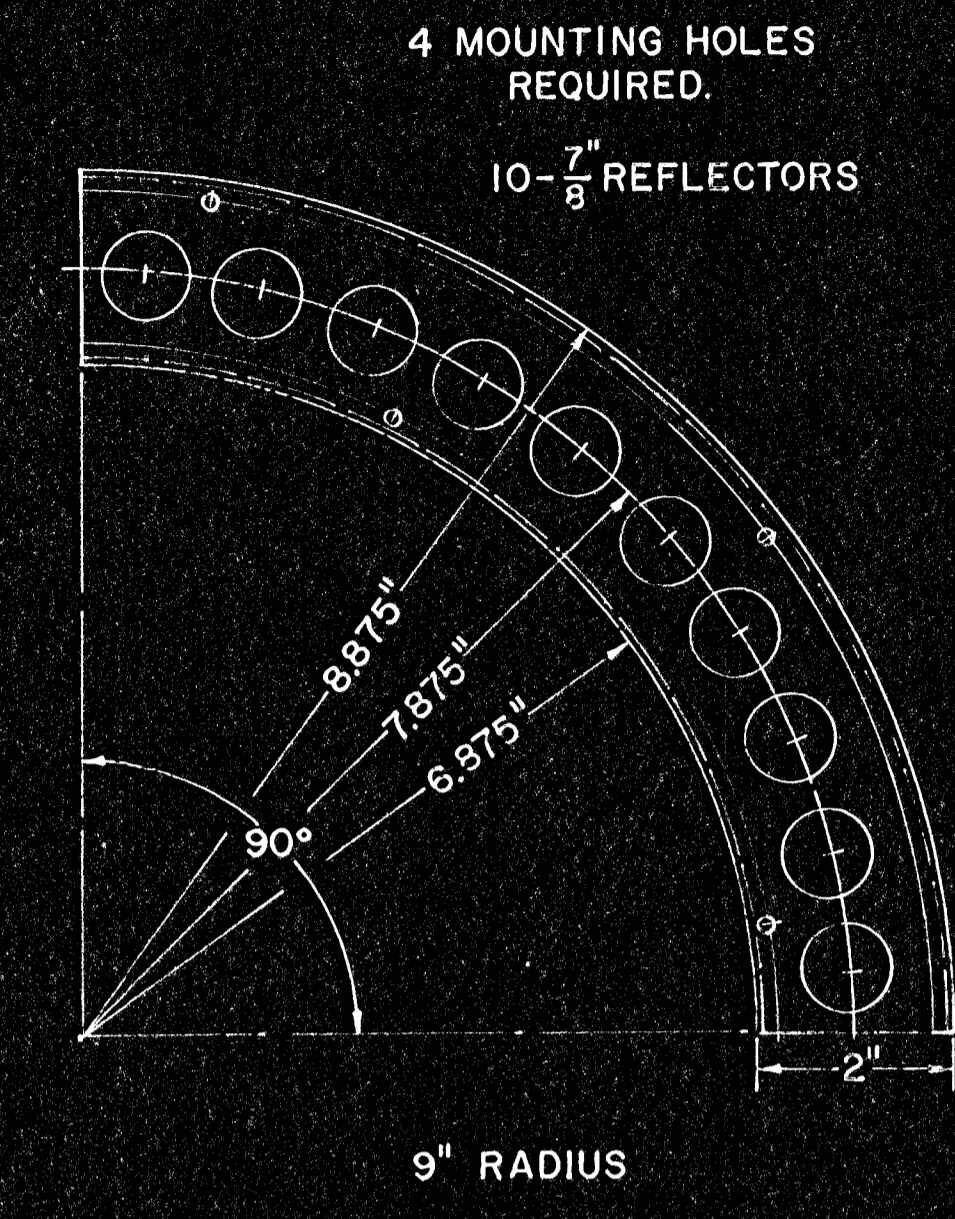
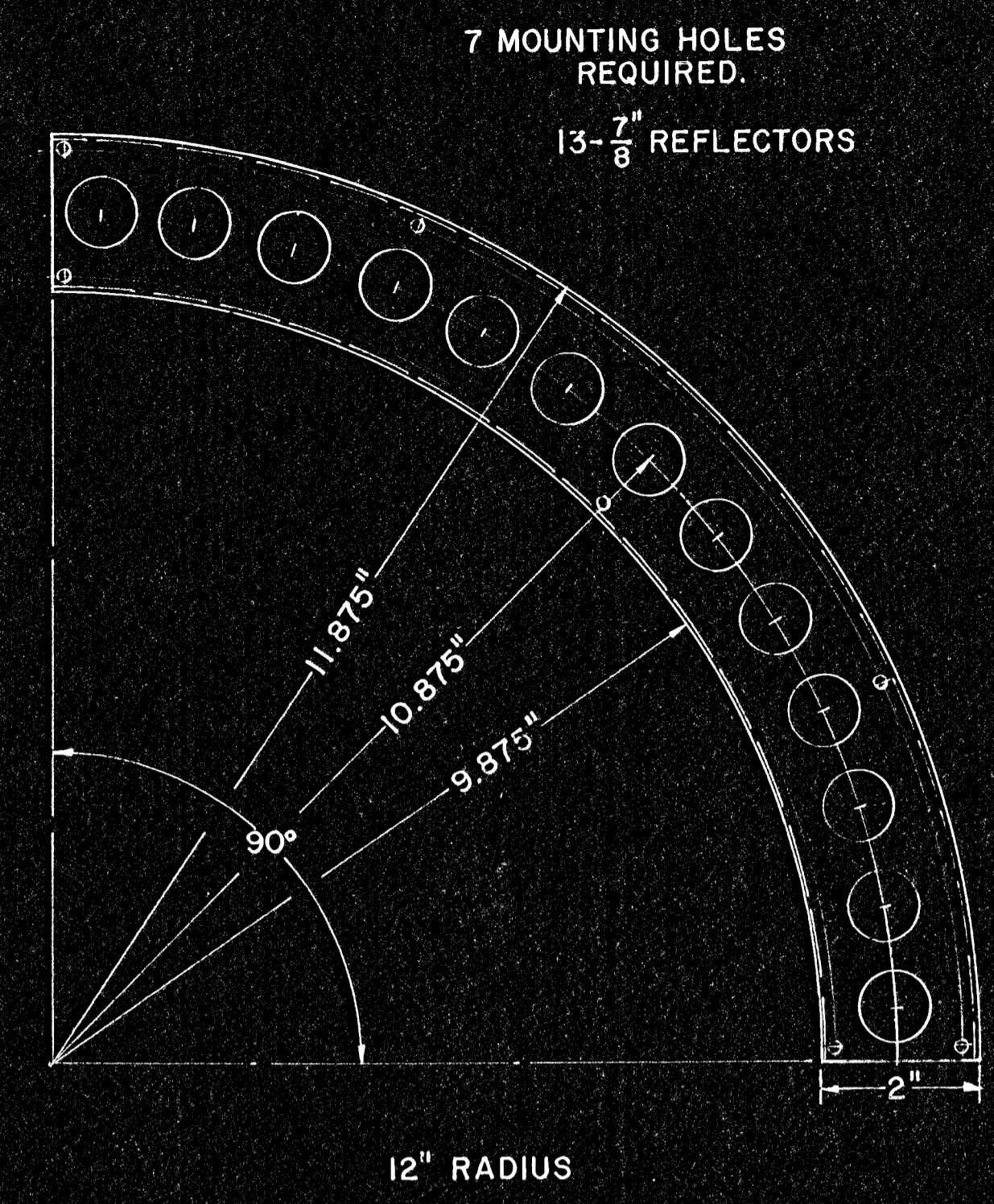
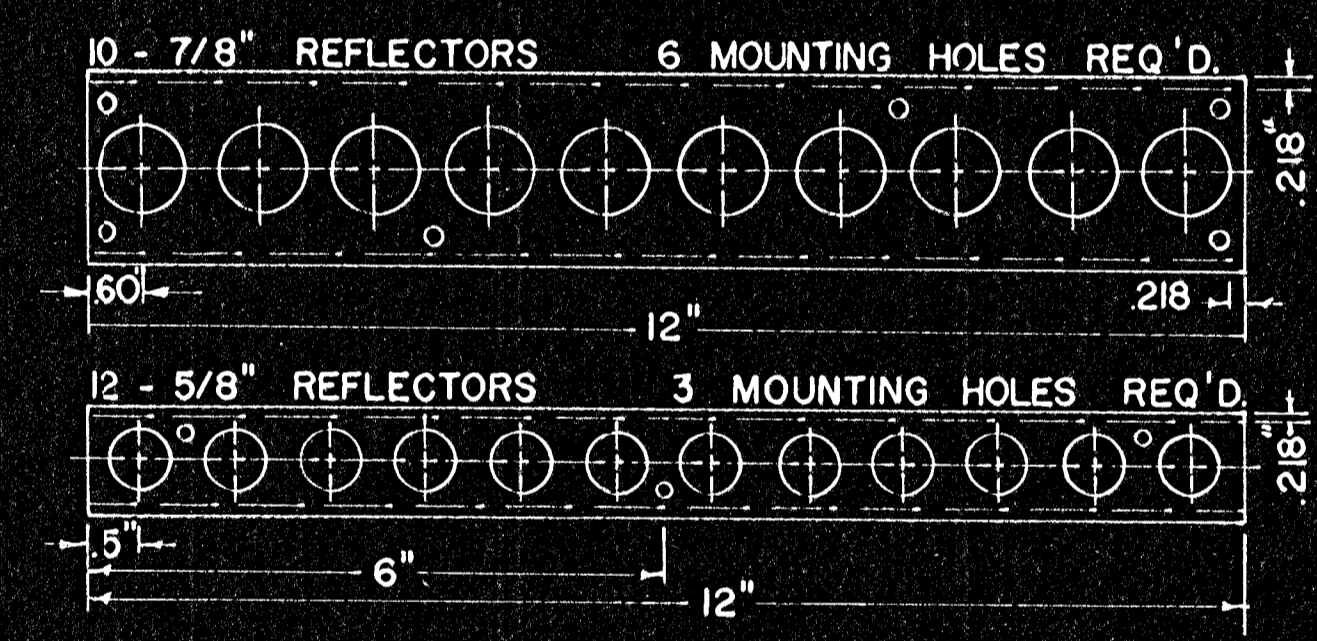
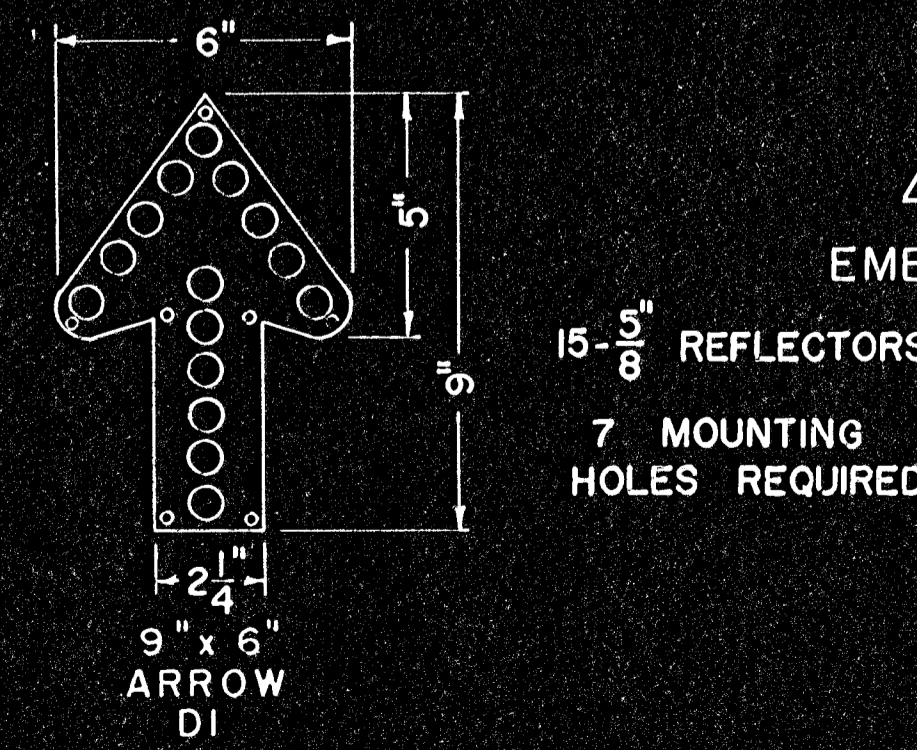
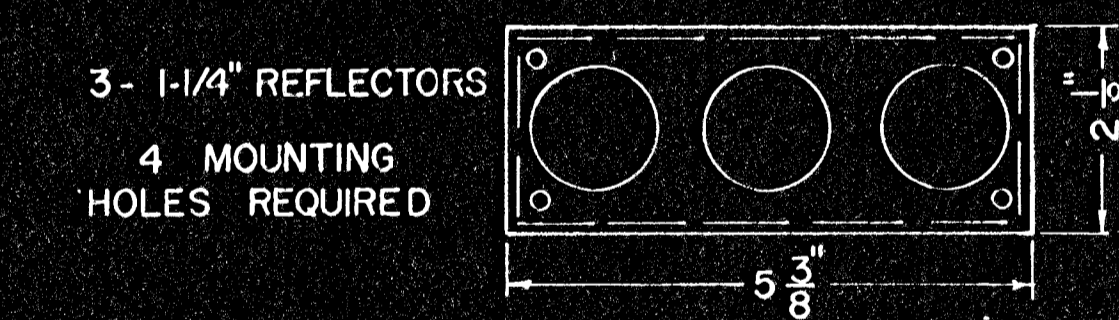
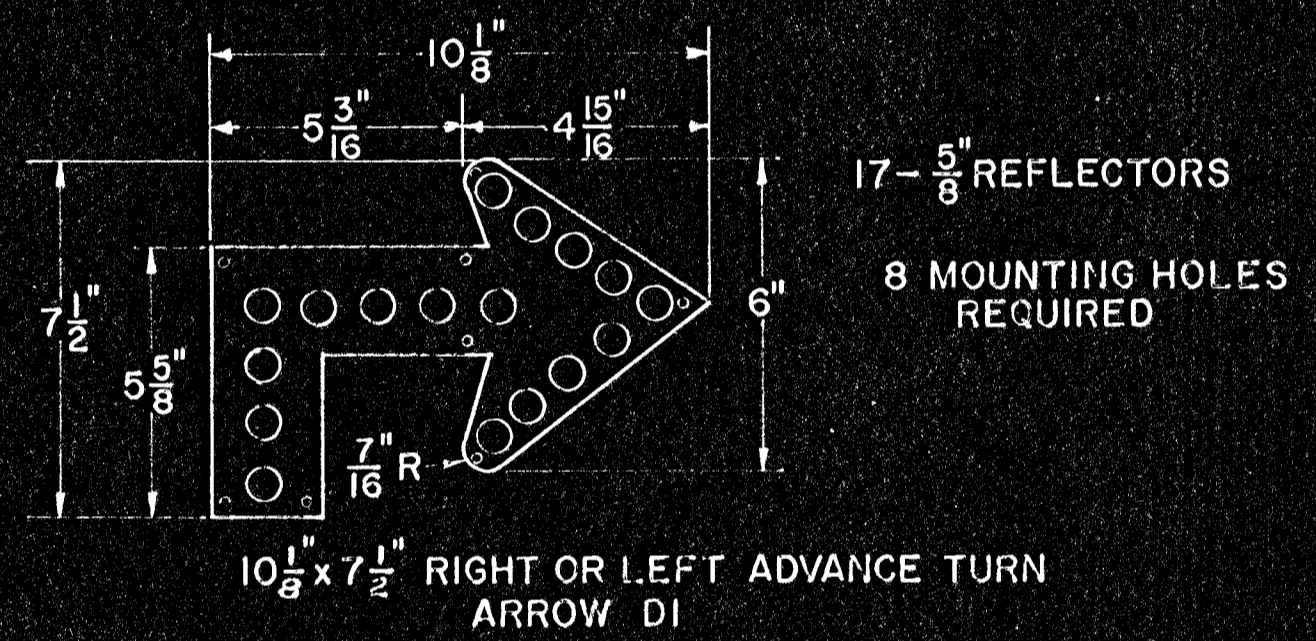


F.H.W.A. REGION NO.	STATE	PROJECT NO.	FISCAL YEAR	SHEET NO.	TOTAL SHEETS
7	KANSAS		1978	67	143

PROJ. NO. (BC) 96-87 K-044-1(28) PTS I & II



EMBOSSED REFLECTORIZED CORNERS



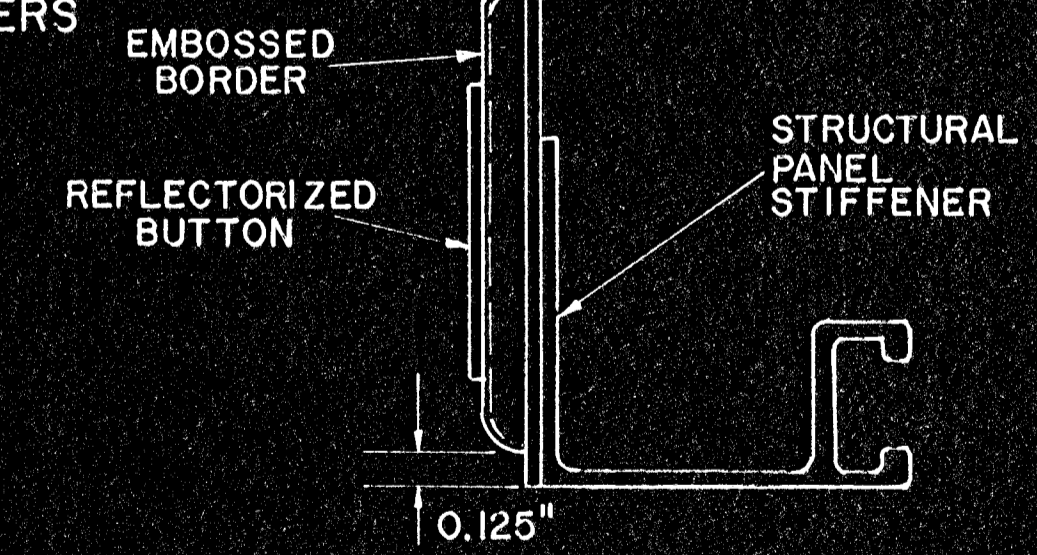
EMBOSSED REFLECTORIZED BORDERS

NOTE: All burrs and sharp edges shall be smoothed off.
Material thickness shall be 0.040"
Holes shall be drilled 0.128" diameter, for 1/8" front entry, self-plugging, expanding rivets.
Mounting holes shown are the minimum that may be used.
All items to be ATSM B-209 Alloy 6061-T6 or 3003-H14.

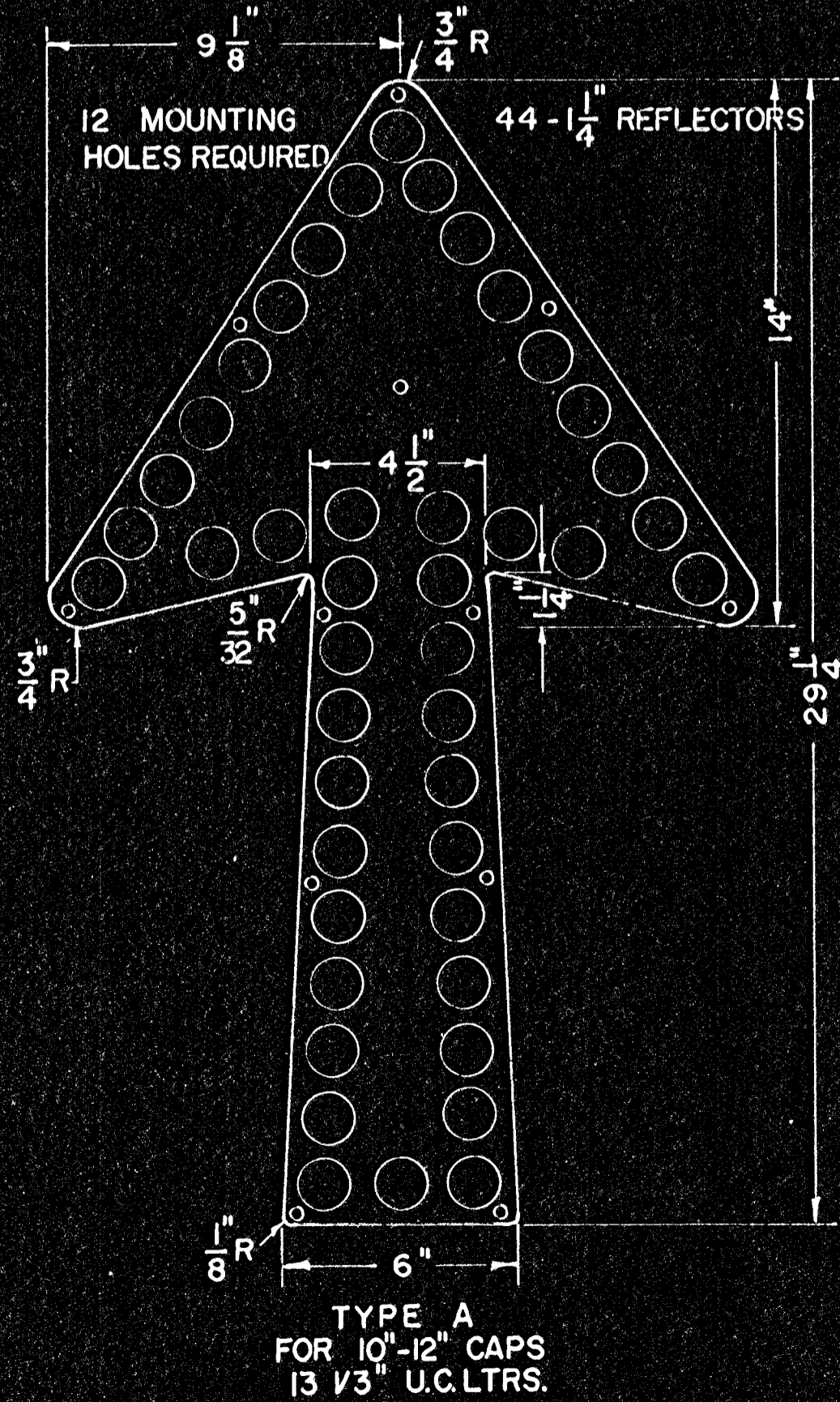
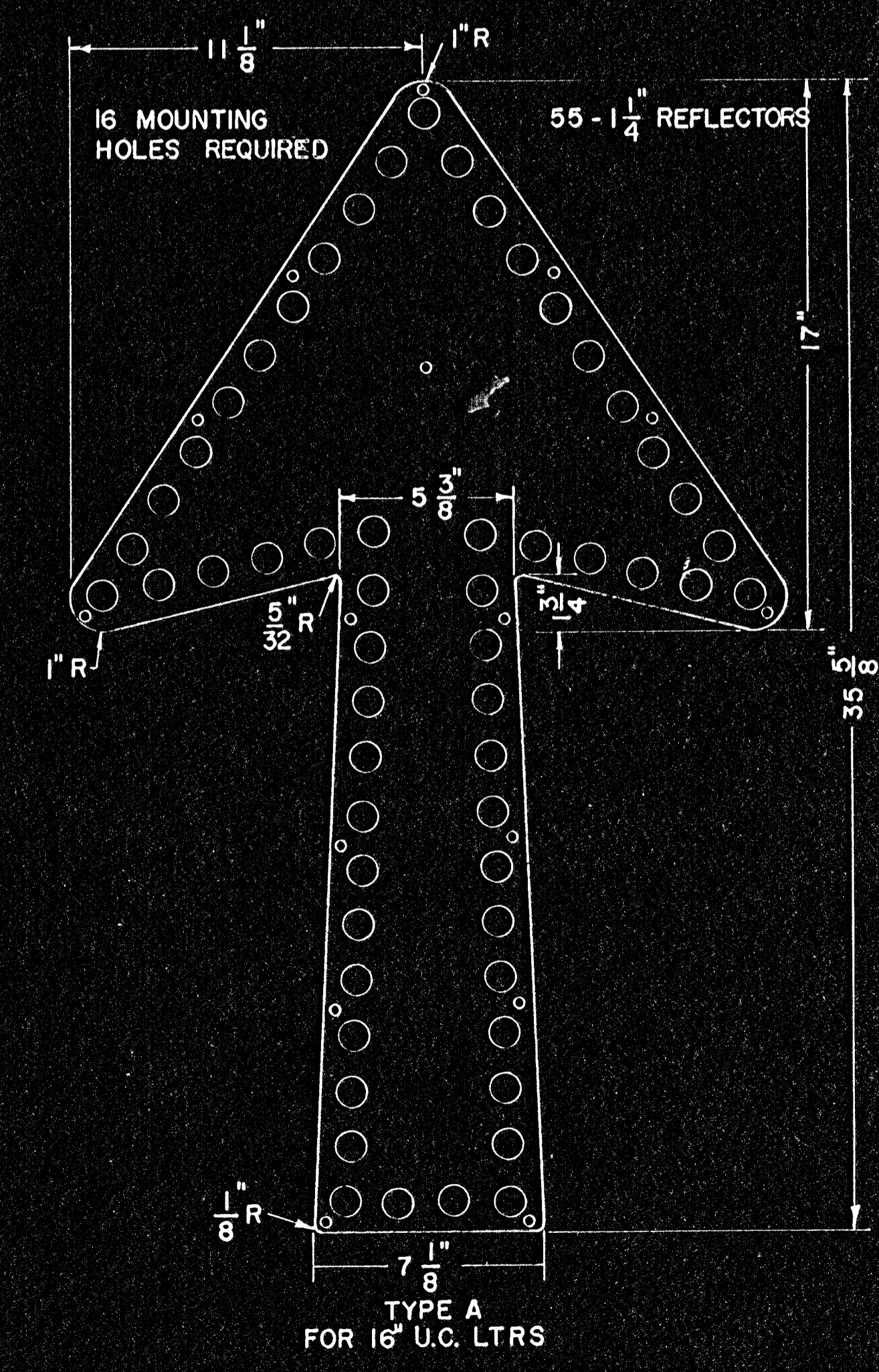
ACRYLIC PLASTIC BUTTON REFLECTOR

ACRYLIC PLASTIC BUTTON REFLECTOR

SIGN PANEL SHEET



DETAIL OF SIGN EDGE



EMBOSSED REFLECTORIZED ARROWS

NO.	DATE	REVISIONS	BY	APP'D
1	5-20-78	Change of Reflector on Arrow	WA	AFH

KANSAS DEPARTMENT OF TRANSPORTATION
DETAILS FOR REMOVABLE LEGEND
EMBOSSED BUTTON REFLECTOR
ARROWS, BORDER, AND ACCESSORIES

SHEET NO. 67 OF 143 SCALE Variable APP'D [Signature]
DESIGNED BY WA QUANTITIES TRACED WA-RW
DESIGN CHK. WA QUAN. CK. TRACED CK. WA