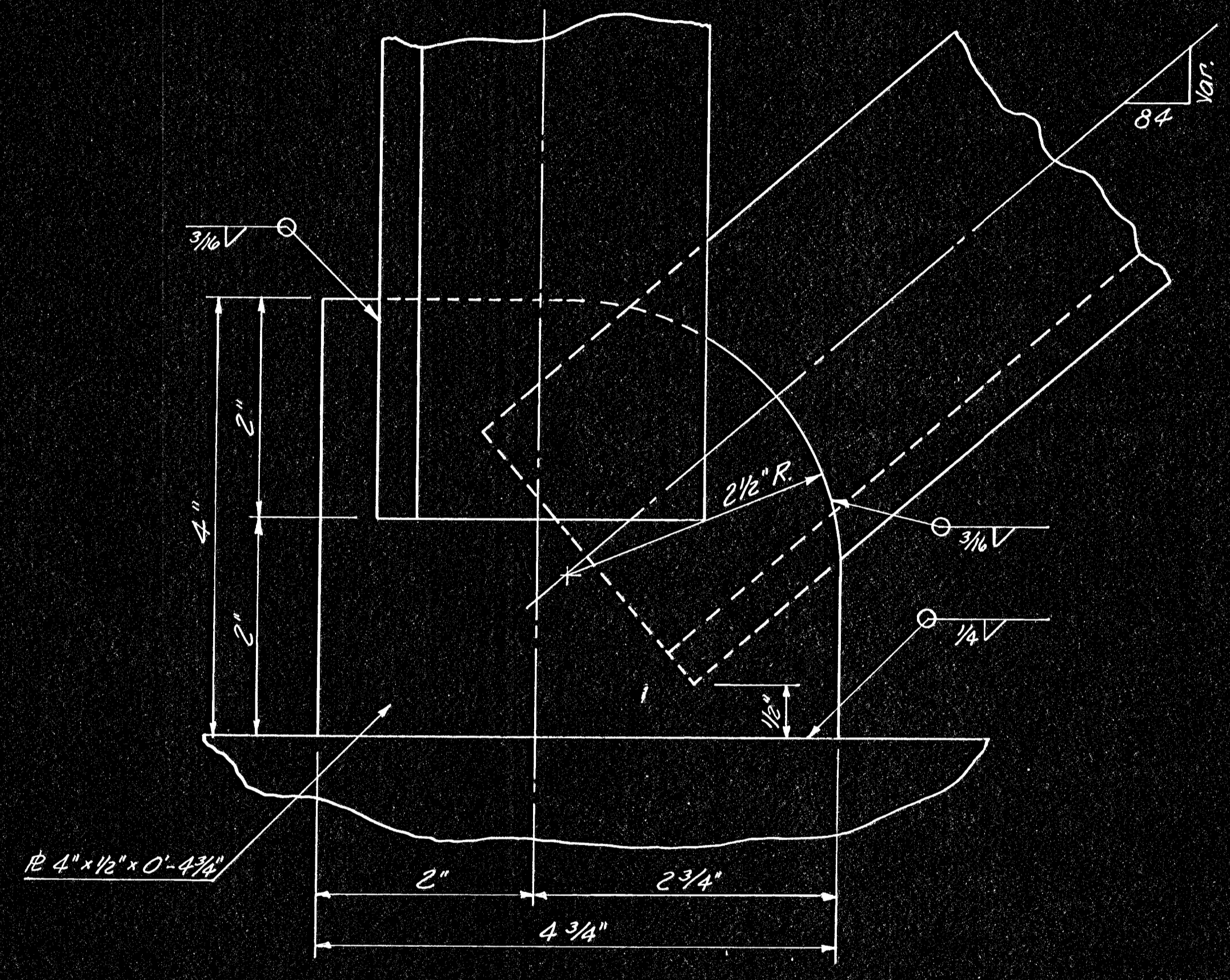
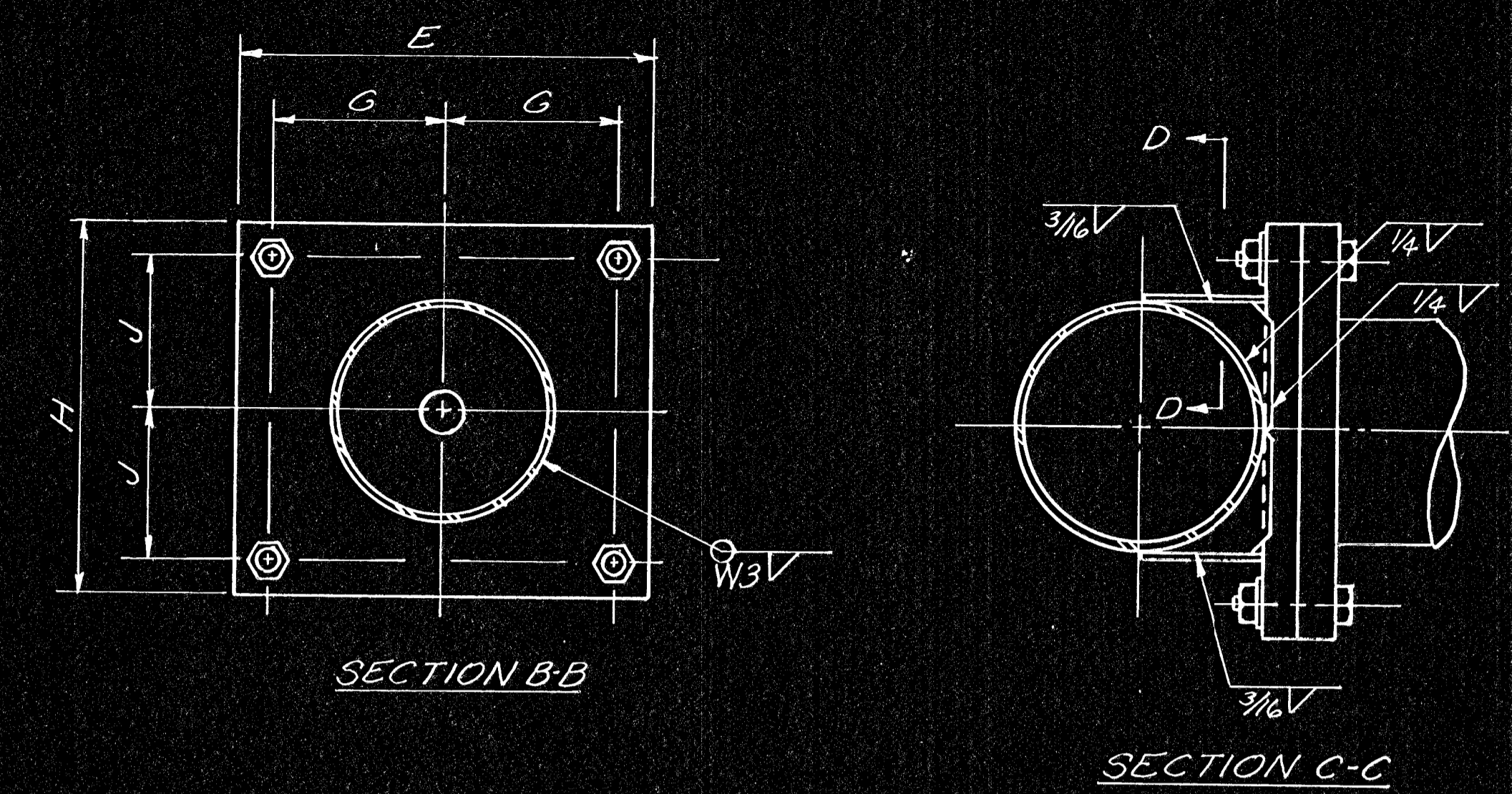


FHWA REGION	STATE	PROJECT NO.	YEAR	SHEET NO.	TOTAL SHEETS
7	KANSAS	(BC)96-87-K044-1(28)	1978	117	143

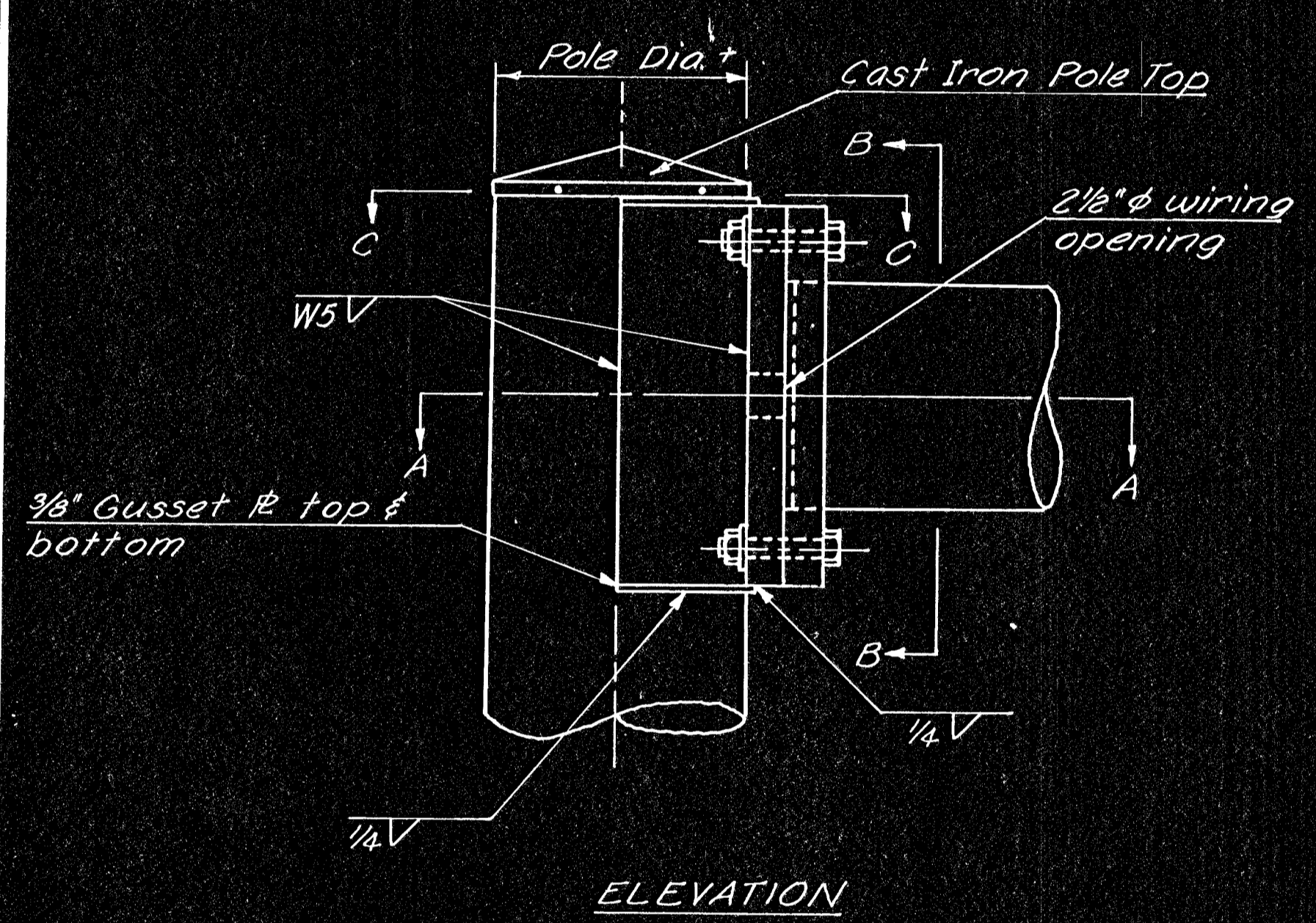


DETAIL C

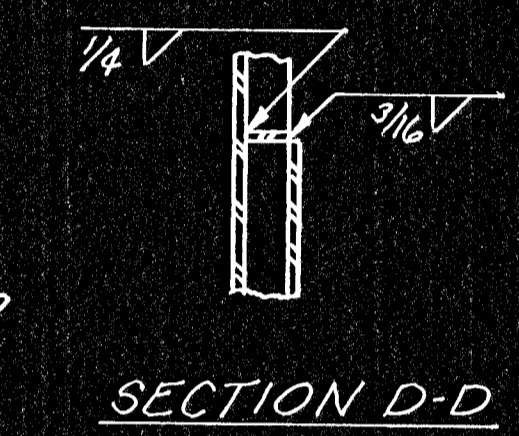


SECTION B-B

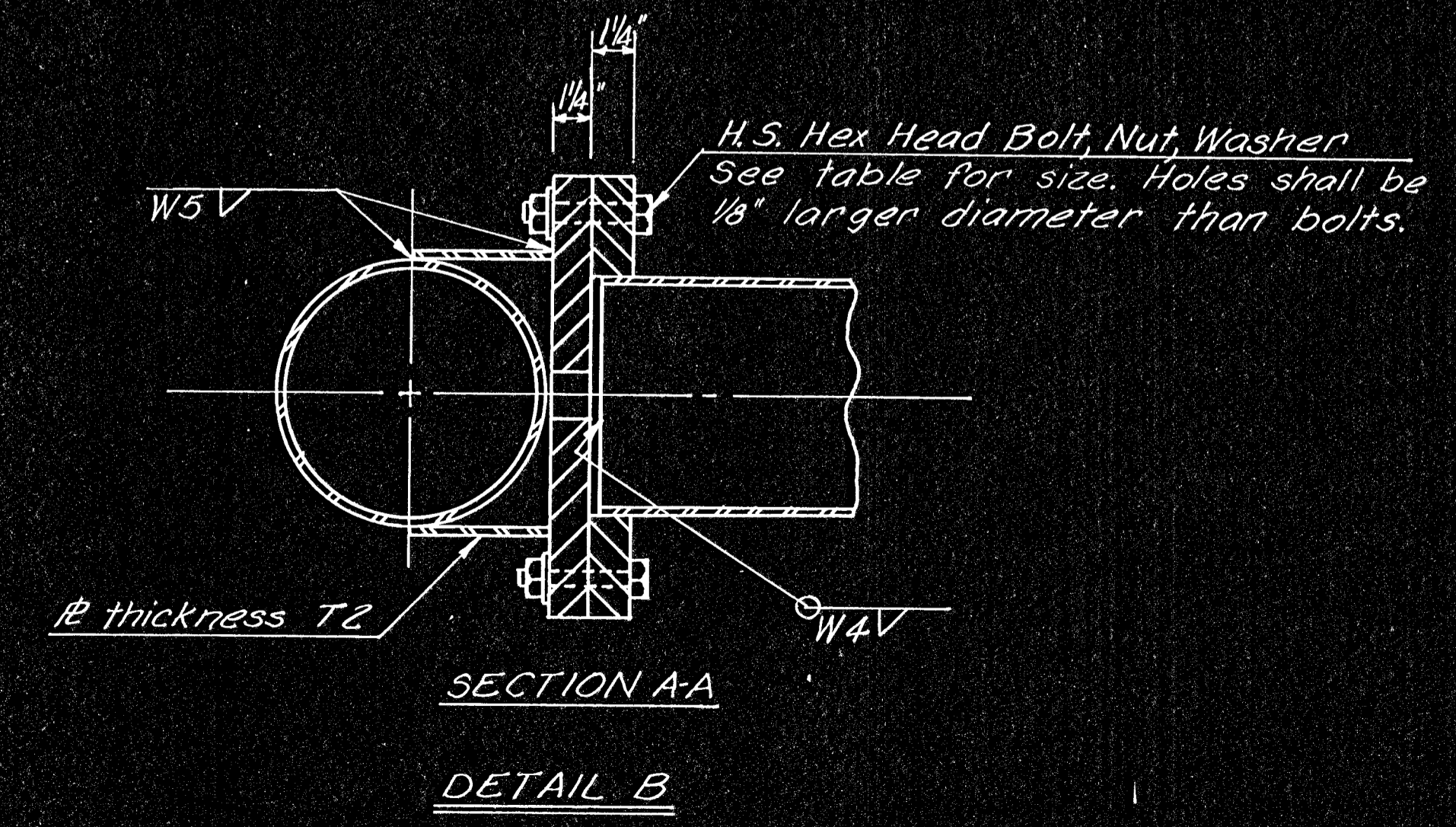
SECTION C-C



ELEVATION

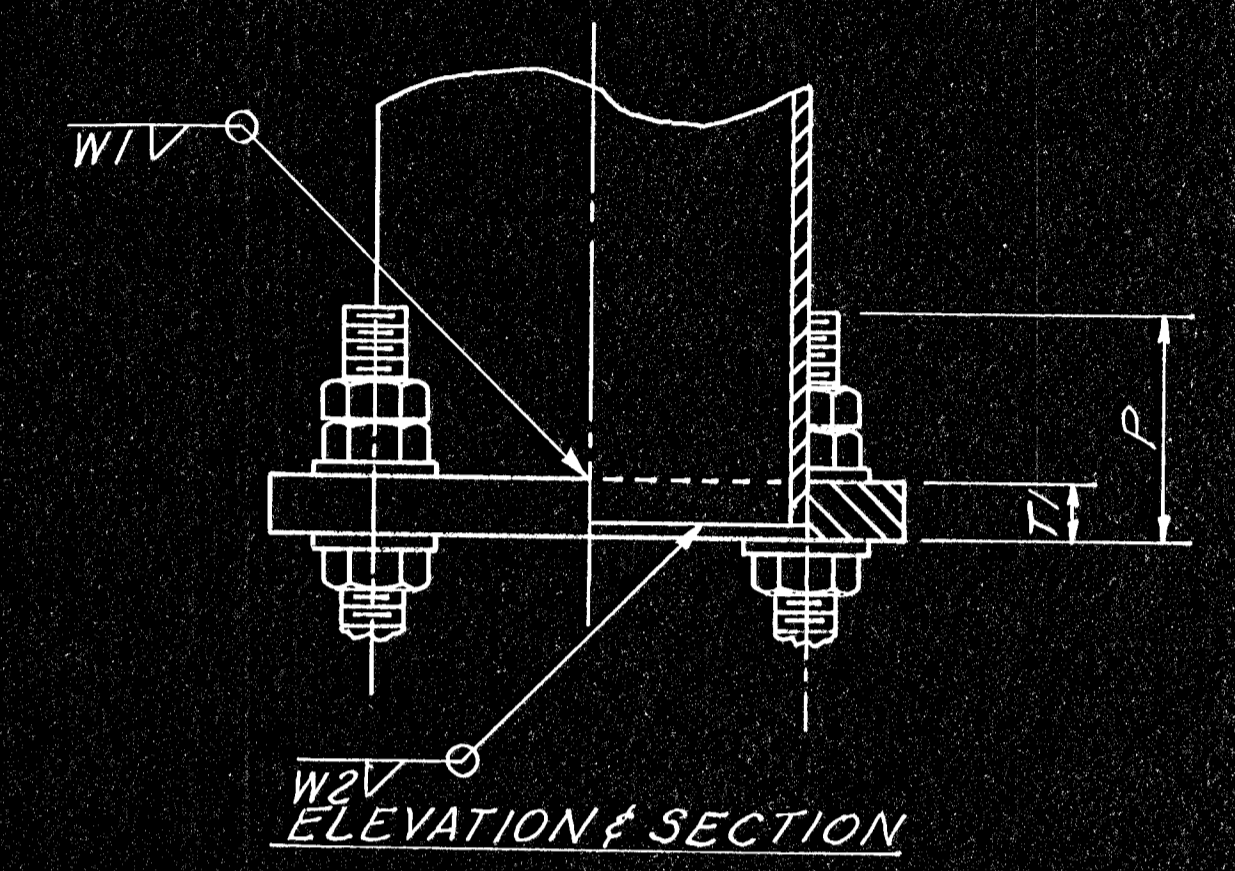


SECTION D-D

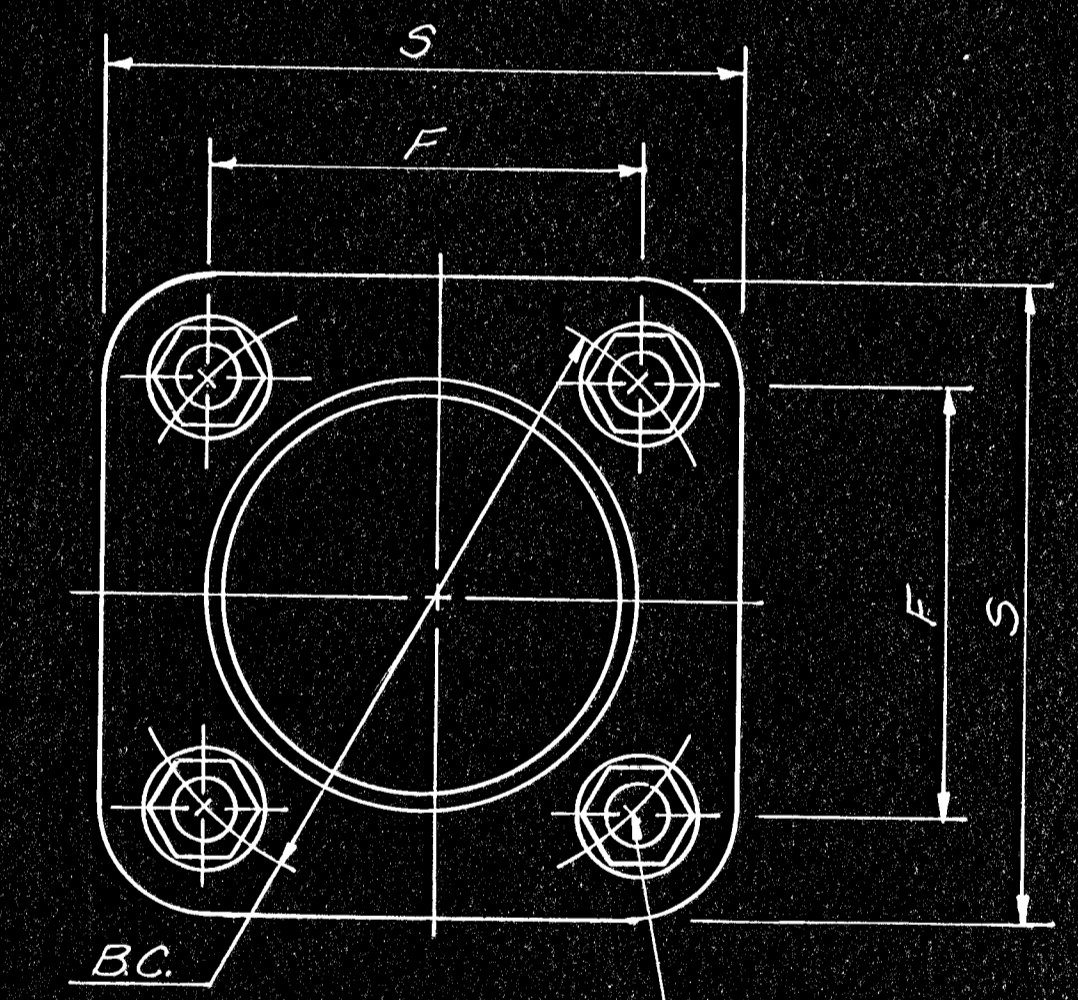


SECTION A-A

DETAIL B



ELEVATION & SECTION



PLAN

Anchor bolts Type II. See table for size. Holes shall be 1/8" larger diameter than the bolts.

DETAIL A

NO.	DATE	REVISIONS	BY	APP'D
3				
2				
1				

DEPARTMENT OF TRANSPORTATION-KANSAS
STANDARD STRUCTURAL SIGN SUPPORTS
CANTILEVER TYPE OVERHEAD
STEEL SUPPORT DETAILS

DESIGNED BY *SPW/LES* DETAILED *LES* QUANTITIES *LES* TRACED *LES*
SCALE: SHEET NO. 117 OF 143
DESIGN CK. *NLW* DETAIL CK. *DPE* QUAN. CK. *LES* TRACE CK. *LES*