

**GENERAL NOTES**

**STEEL GRATE:** Grate shall conform to A.S.T.M. - A569 and shall be pressure locked or welded design. It shall have  $1\frac{1}{2}$ " x  $\frac{3}{16}$ " bearing bars @  $1\frac{1}{16}$ " ctrs. and  $\frac{1}{2}$ " x  $\frac{3}{16}$ " cross bars @ 4" ctrs.

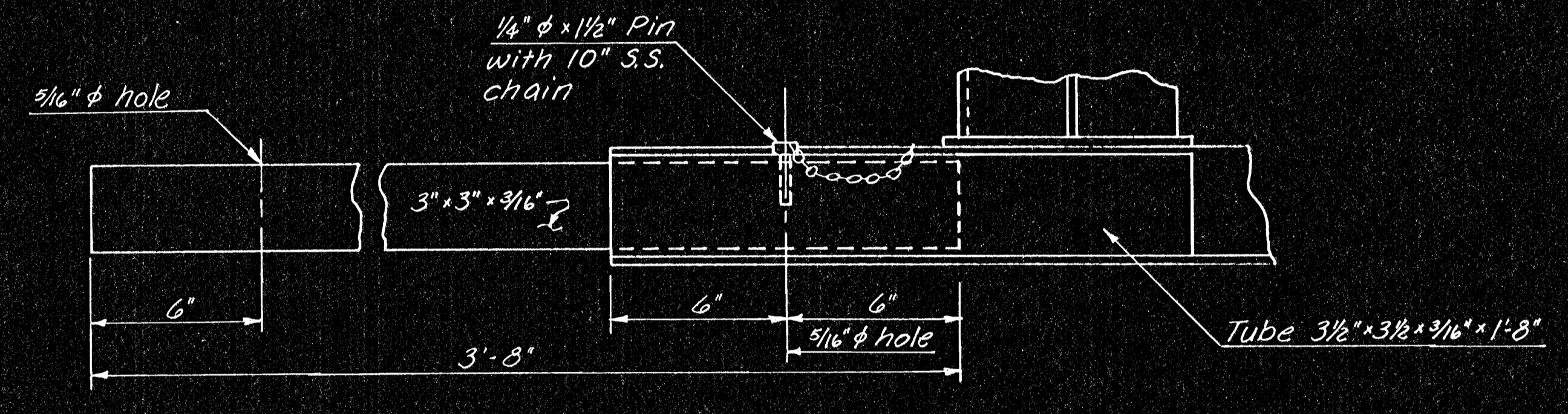
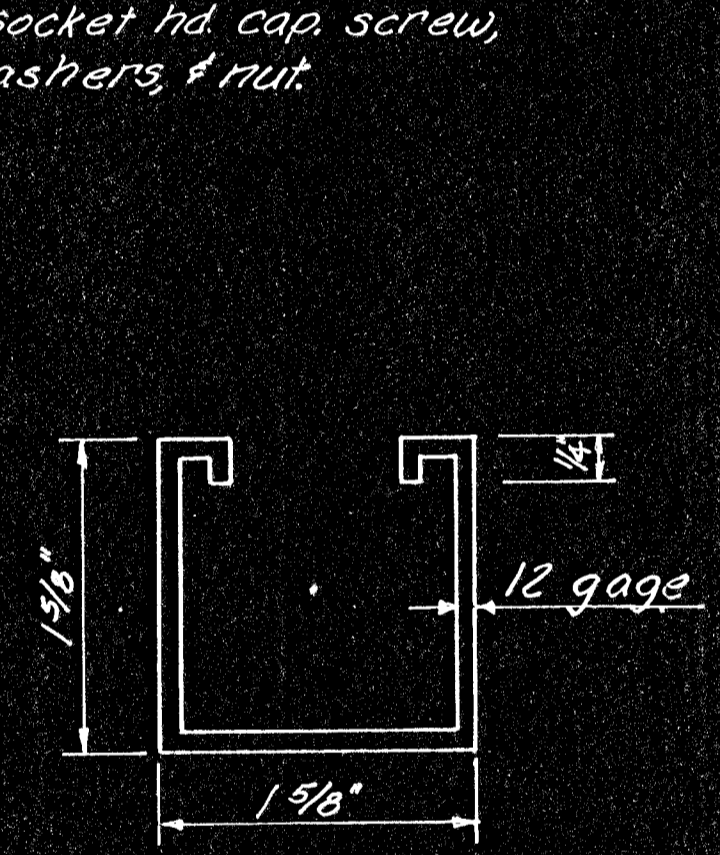
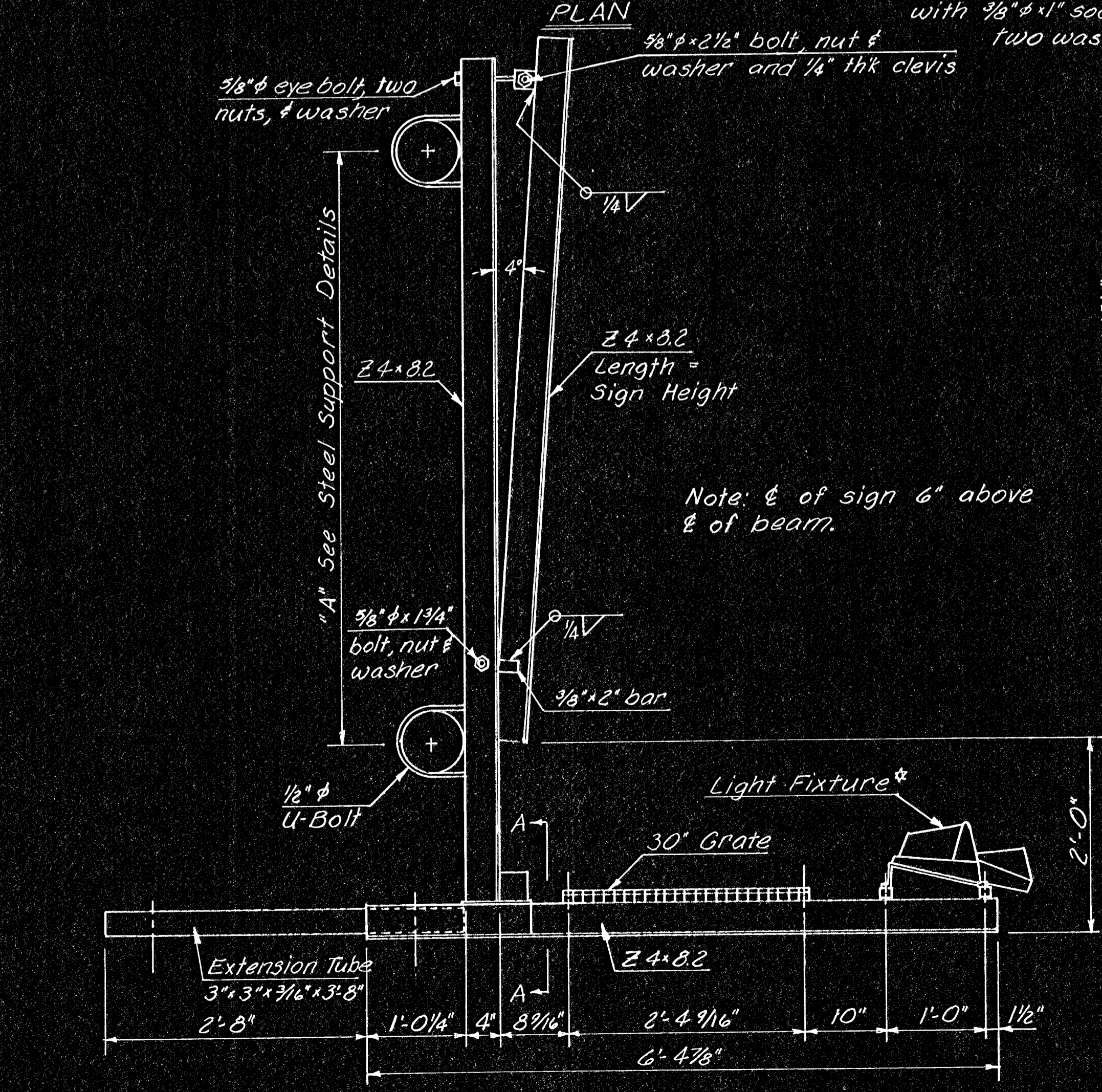
**STRUCTURAL STEEL:** All shapes and plates shall conform to A.S.T.M. - A36.

**STEEL TUBE:** Tubes shall conform to A.S.T.M. - A500.

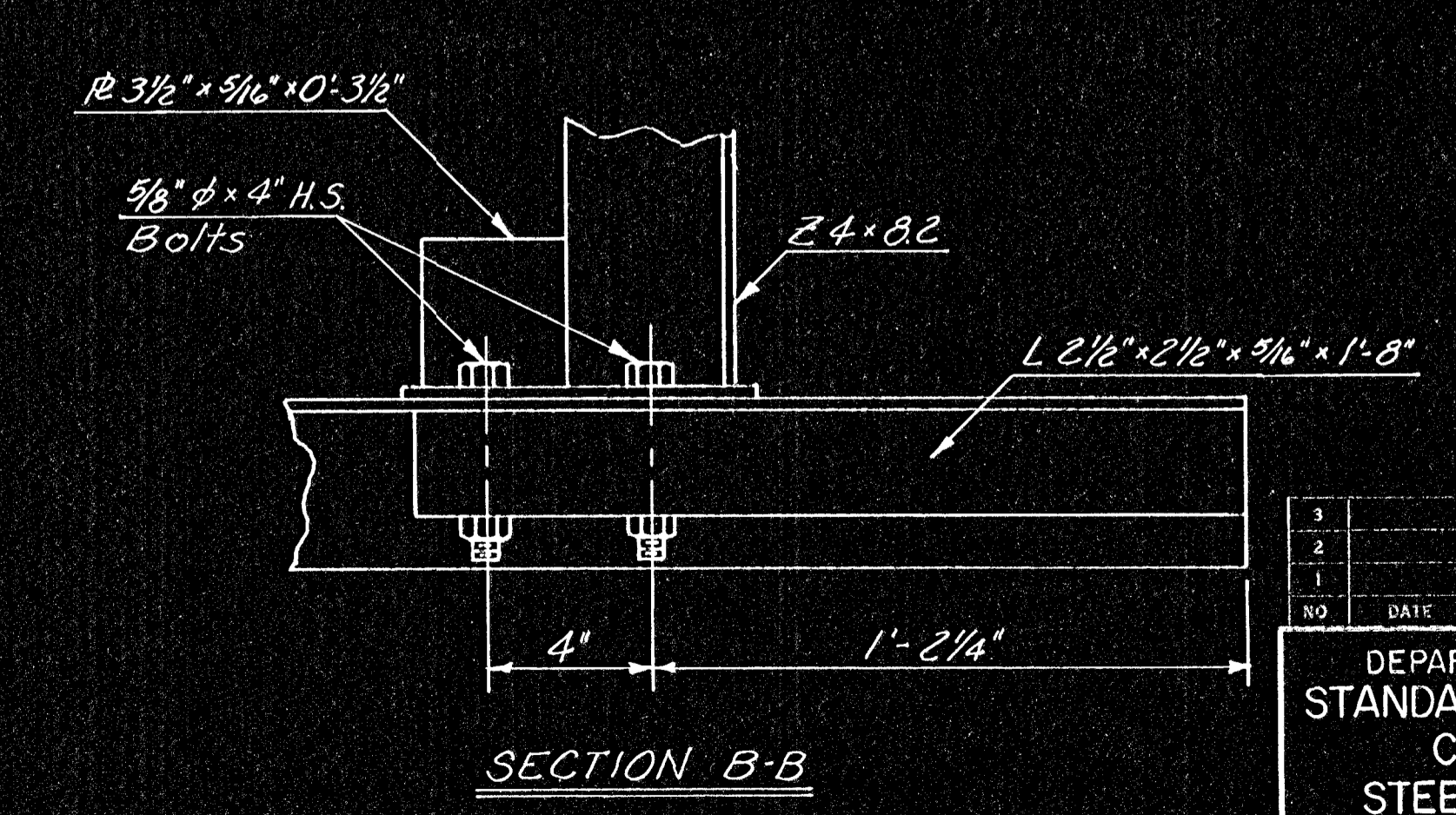
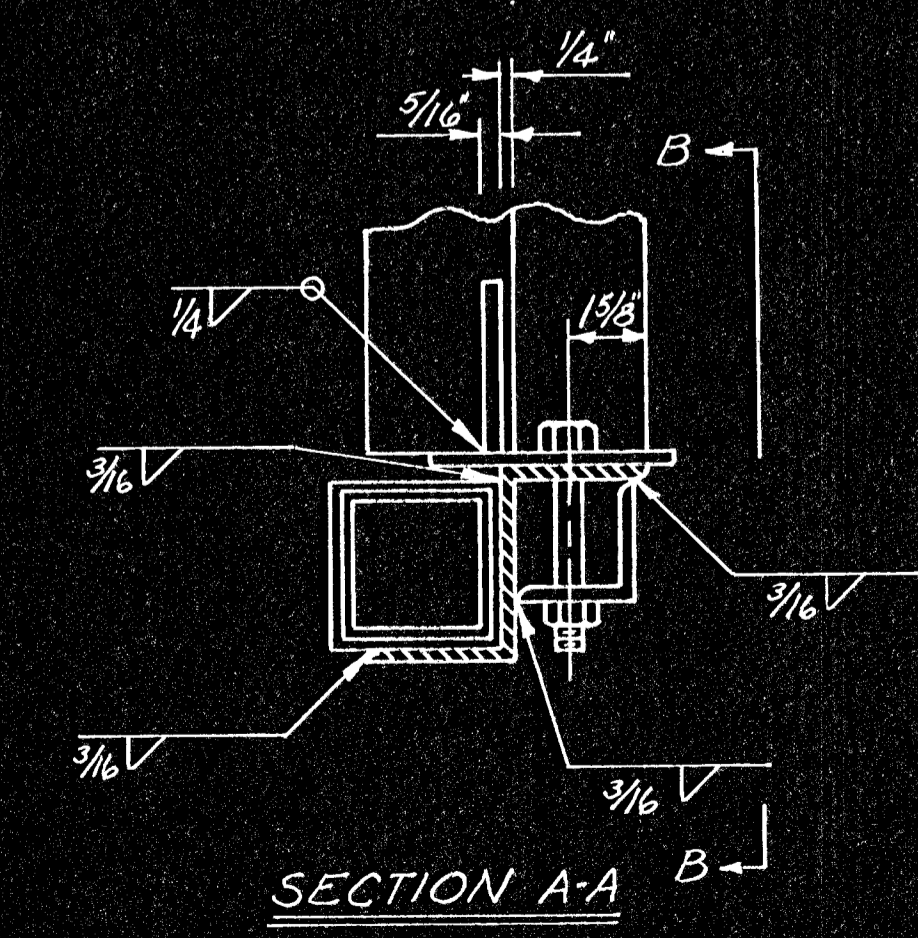
**BOLTS:** All High Strength bolts and nuts shall conform to A.S.T.M. - A325. All miscellaneous fasteners shall conform to Kansas Highway Comm. Standard Specifications. All bolts shall be hot-dipped galvanized to meet the requirements of A.S.T.M. - A153, Class C.

**GALVANIZING:** All structural shapes, plates, and tubes shall be hot-dipped galvanized according to A.S.T.M. - A123 after fabrication. Any damage to the coating shall be repaired after erection.

**WELDING:** All welding shall conform to Kansas Highway Comm. Standard Specifications and the latest edition of A.W.S. Specifications.



**EXTENSION TUBE DETAILS**



Note:  $\phi$  of sign 6" above  $\phi$  of beam.

**ELEVATION**

\*Not part of this contract

NO.	DATE	REVISIONS	BY	APP'D.

DEPARTMENT OF TRANSPORTATION - KANSAS  
STANDARD STRUCTURAL SIGN SUPPORT  
CANTILEVER TYPE OVERHEAD  
STEEL SIGN MOUNTING AND  
WALKWAY DETAILS OPT. NO. 2

DESIGNED LES  
SCALE 1/8" = 1'-0"  
DESIGNER DRE  
CHECKER DRE

APP'D. O'BRIEN  
SCALE 1/8" = 1'-0"  
CHECKER DRE

6-77