

FHWA REGION NO.	STATE	PROJECT NO.	YEAR	SHEET NO.	TOTAL SHEETS
7	KANSAS	(BC)96-87-K044-1(28)	1978	128	143

GENERAL NOTES

ALUMINUM GRATE: Grate shall conform to ASTM-B221 alloy 6061-T6 and shall be pressure lock design. It shall have 1/2" x 3/16" bearing bars @ 1 3/16" ctrs. and 1/2" x 3/16" cross bars @ 4" ctrs.

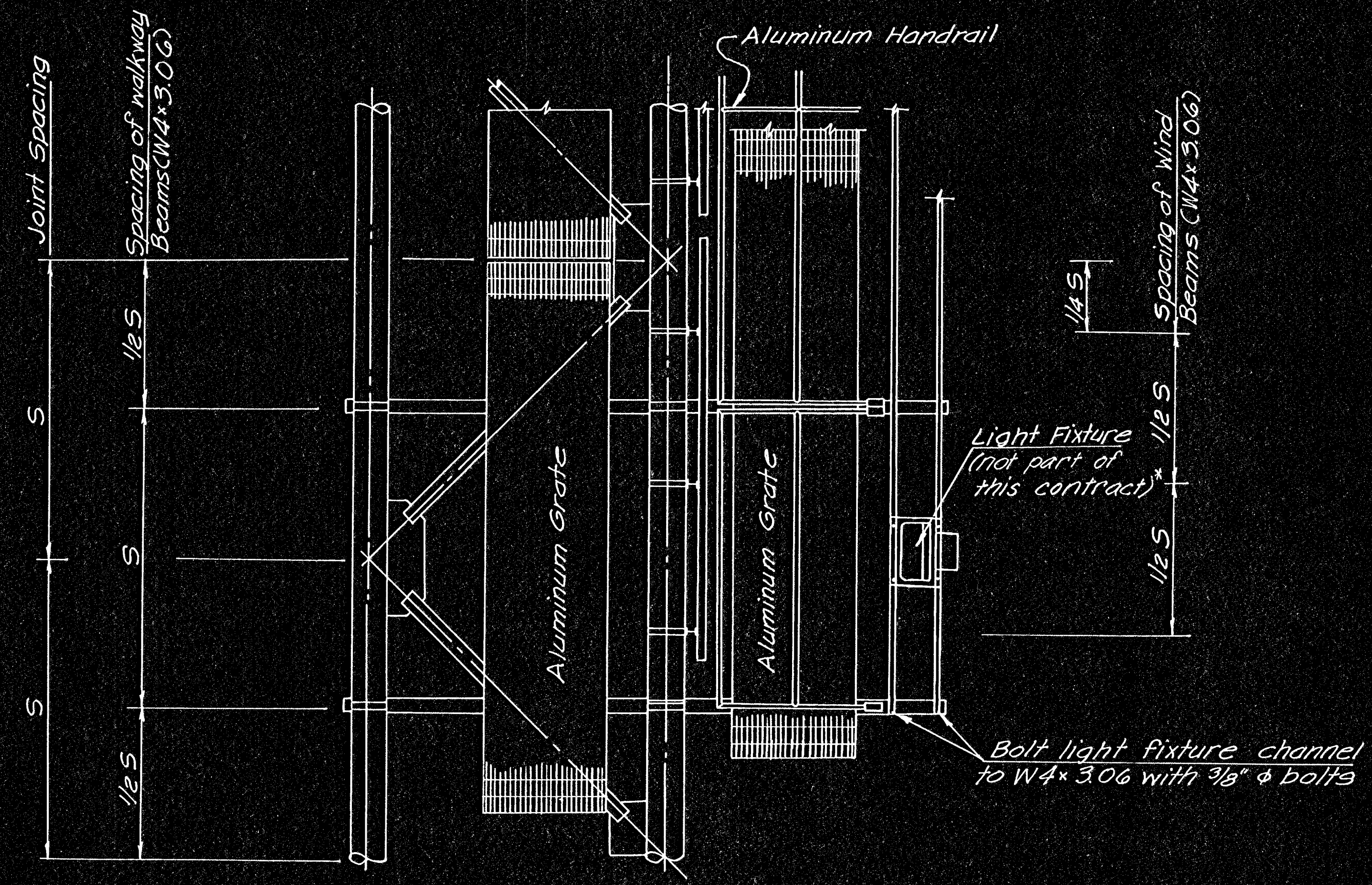
ALUMINUM PIPE: Pipe shall conform to ASTM-B 241 or B 429 alloy 6061-T6 or alloy 6063-T6.

ALUMINUM SHAPES: Shapes shall conform to ASTM-B 308 alloy 6061-T6.

ALUMINUM PLATES: Plates shall conform to ASTM-B209 alloy 6061-T6 or alloy 6063-T6, T62, or T651.

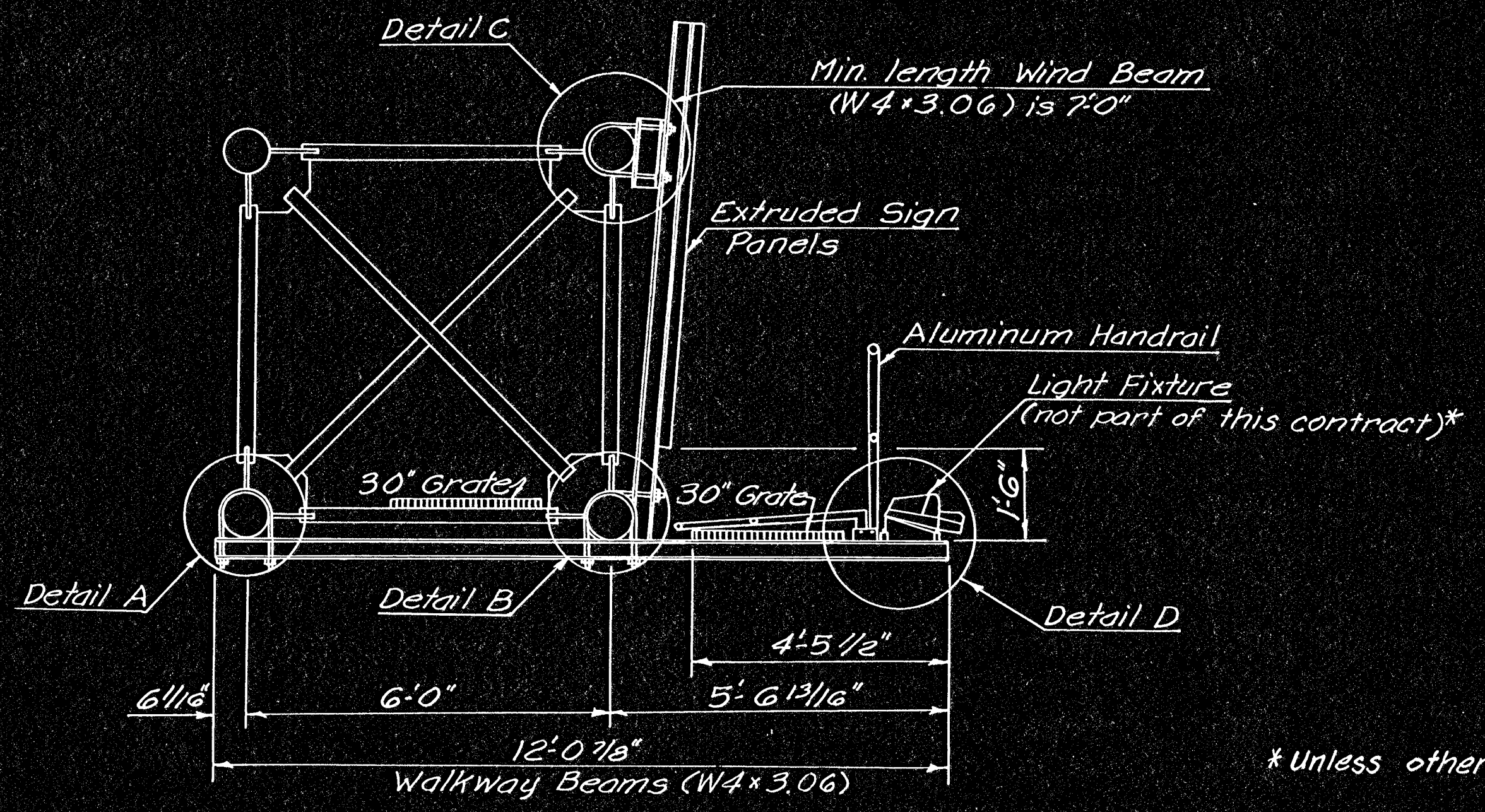
BOLTS: All Miscellaneous Steel Fasteners shall conform to Kansas Highway Commission Standard Specifications and shall be coated.

WELDING & FABRICATION: All welding and fabrication shall conform to A.A.S.H.T.O. Standard Specifications for Structural Supports for Highway Signs, Luminaires and Traffic Signals, 1975 Edition, Section 1.5.5 ASTM B 285-ER555G Electrodes shall be used.



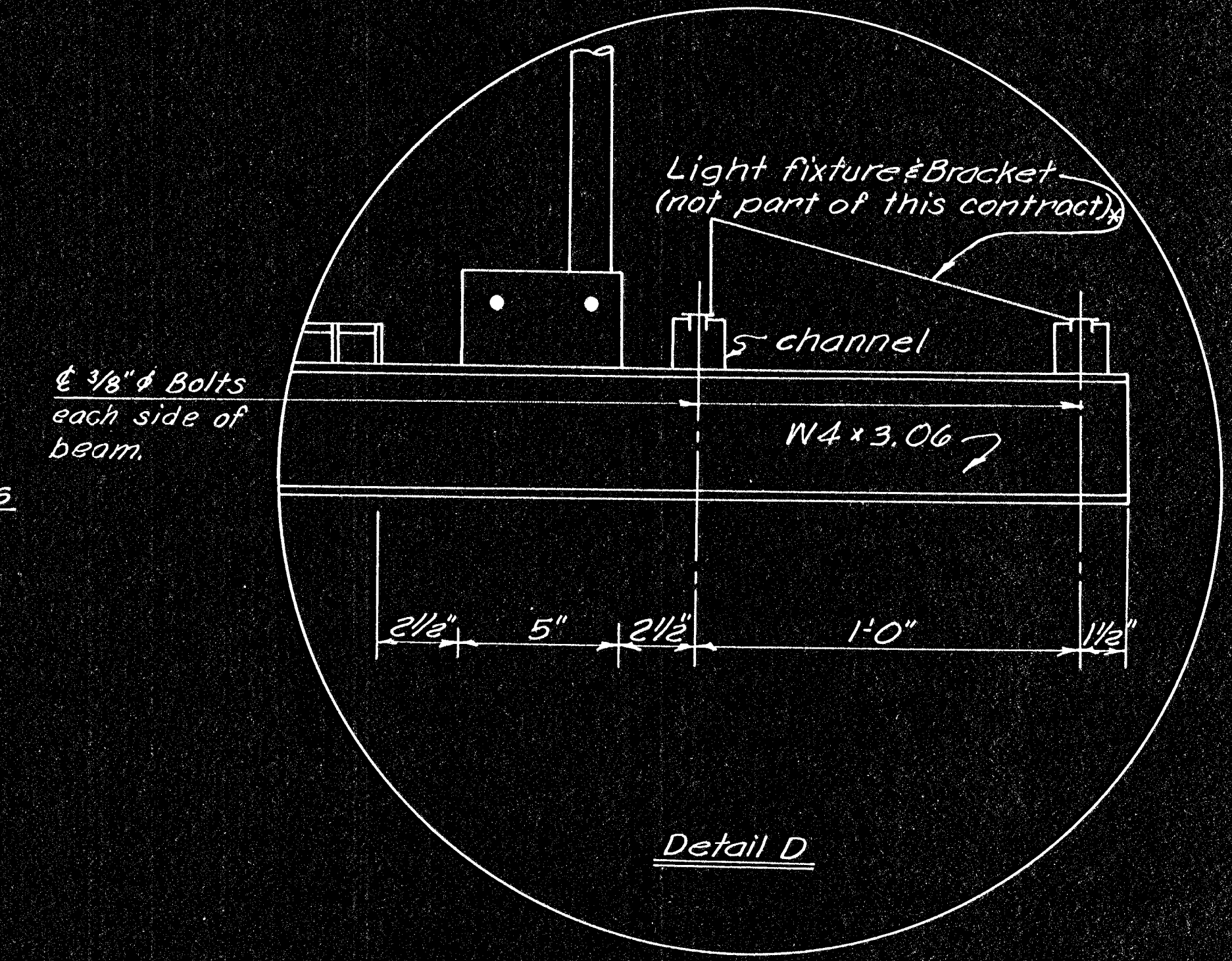
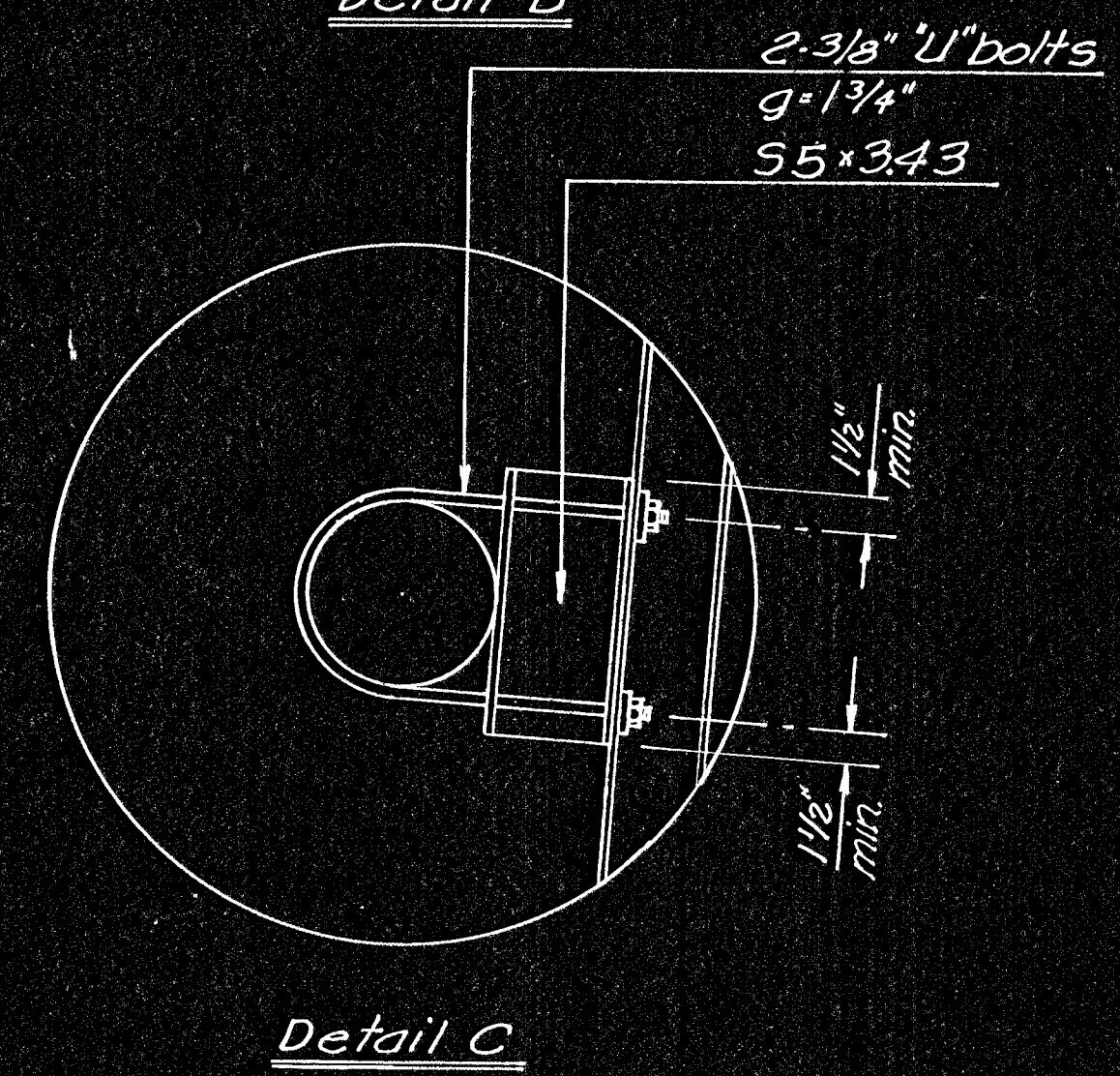
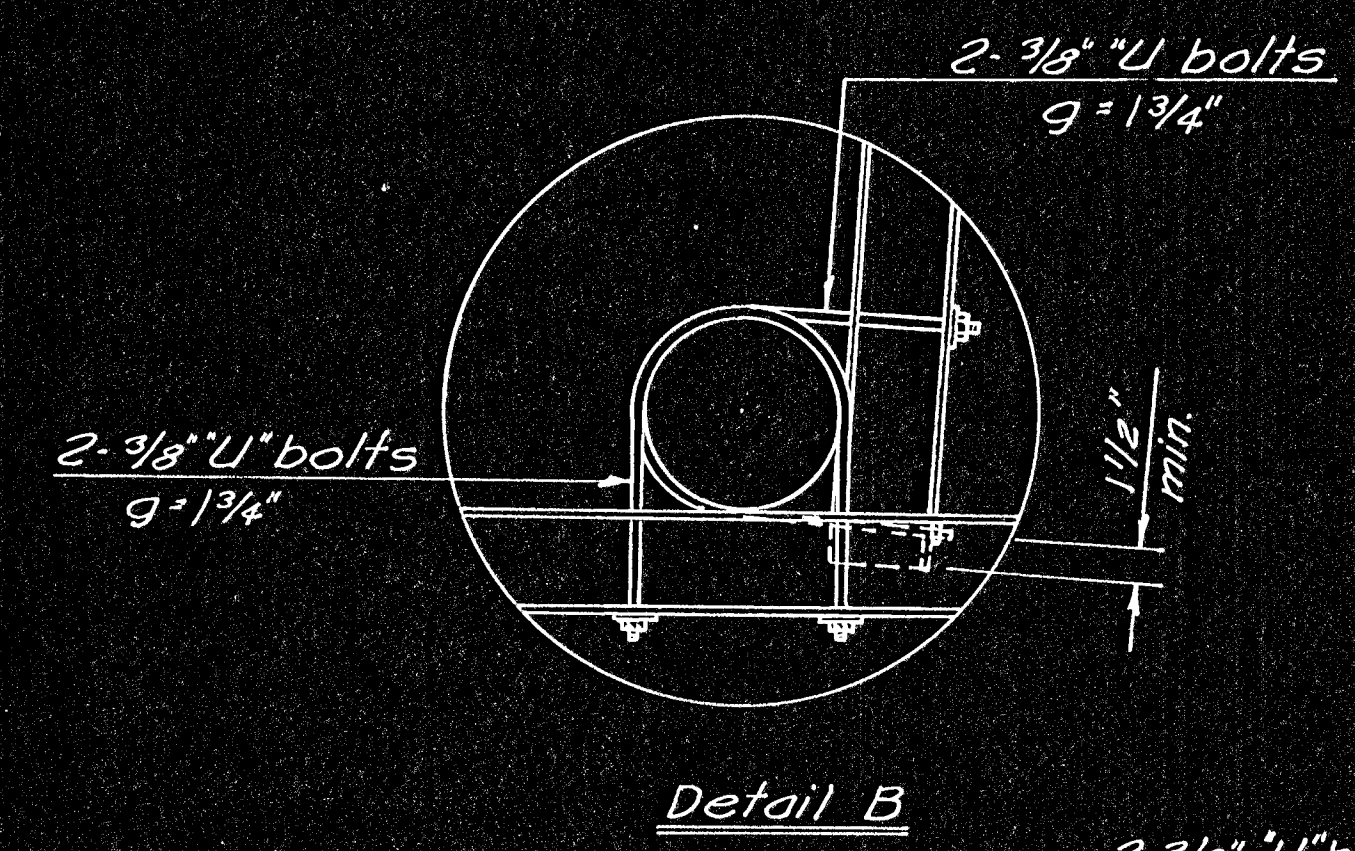
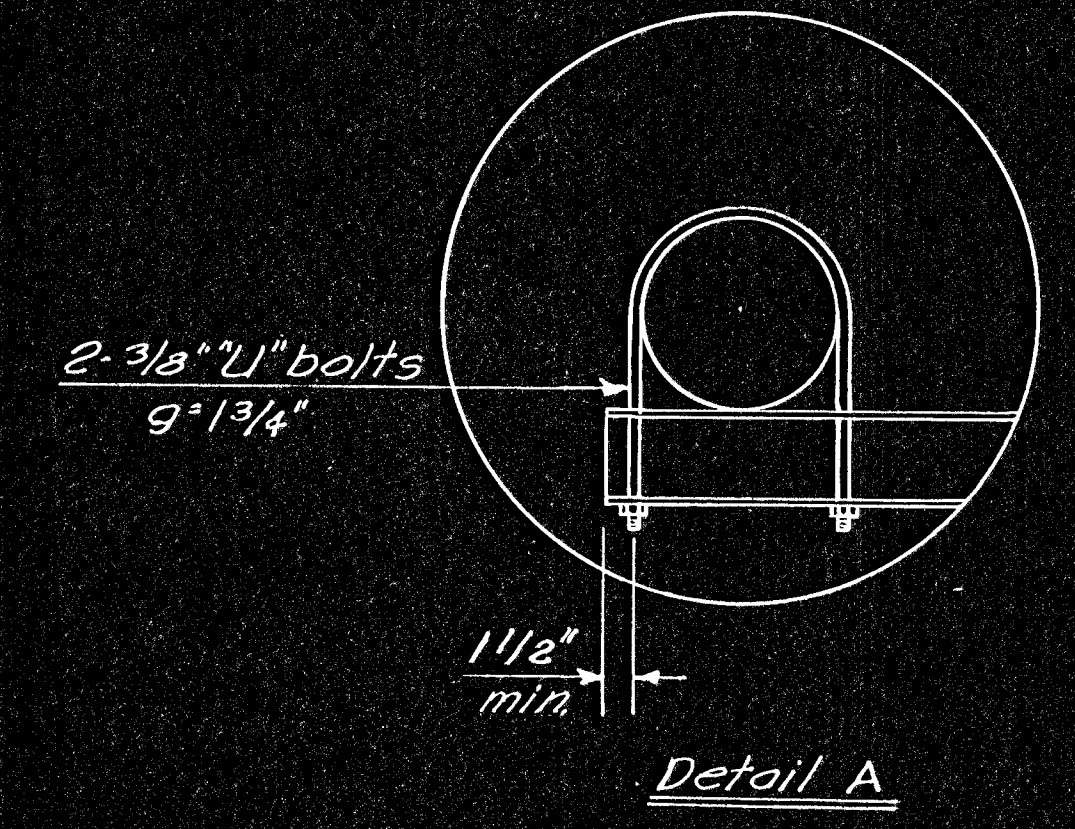
NOTE: "S" varies, see truss details for dimension.

PLAN
Only lower truss members shown.



ELEVATION

* Unless otherwise noted.



3					
2					
1					
NO.	DATE	REVISIONS	BY	APP'D	
DEPARTMENT OF TRANSPORTATION-KANSAS STANDARD STRUCTURAL SIGN SUPPORTS SPAN TYPE OVERHEAD ALUMINUM SIGN MOUNTING AND WALKWAY DETAILS					
SHEET NO. 128 of 143	SCALE	APP'D			
DESIGNED BEM	DETAILED JCD/RLH	QUANTITIES	TRACED RBA		
DESIGN CK. RPH	DETAIL CK. RPH	QUAN. CK.	TRACE CK. BEM		