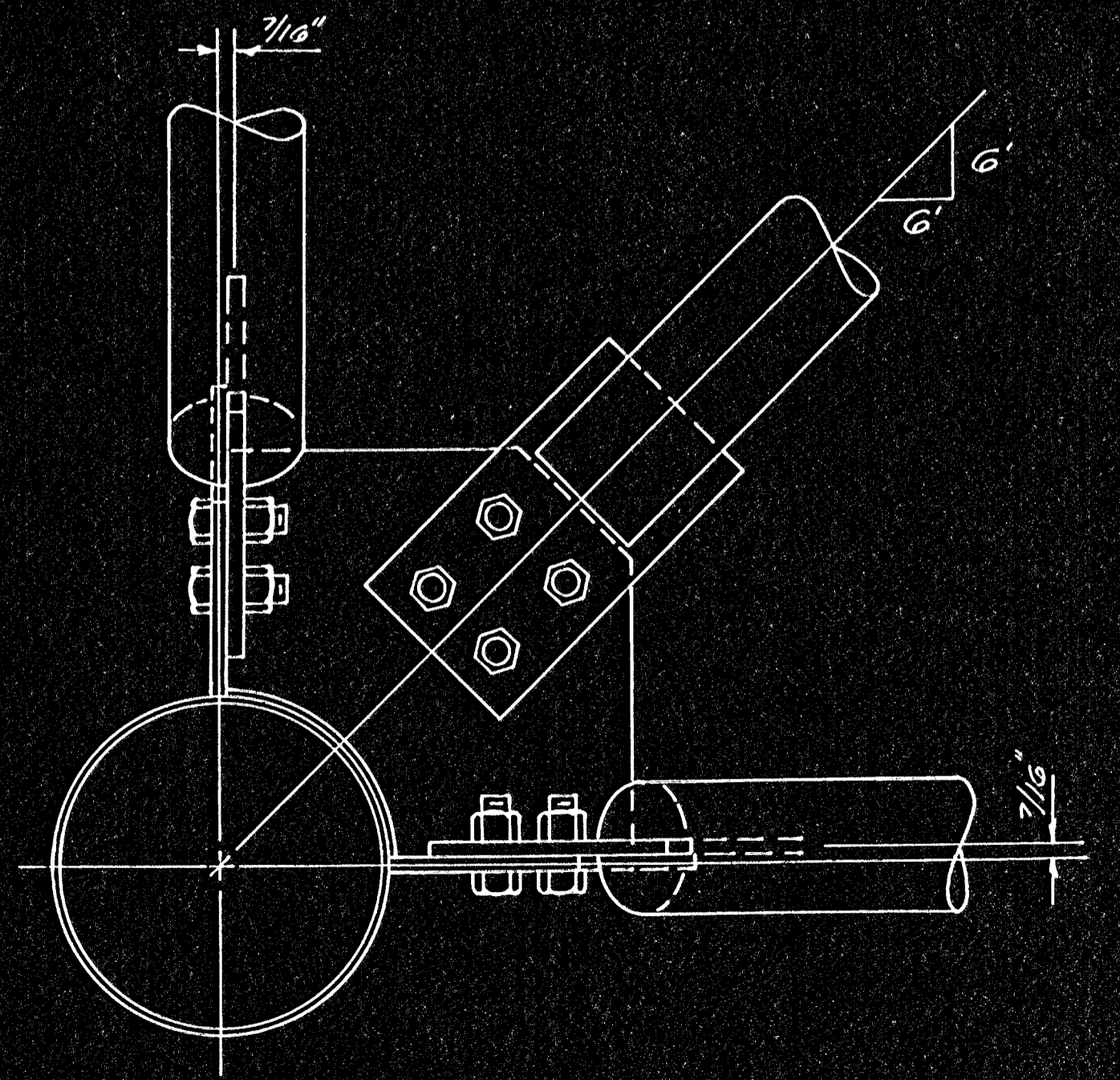
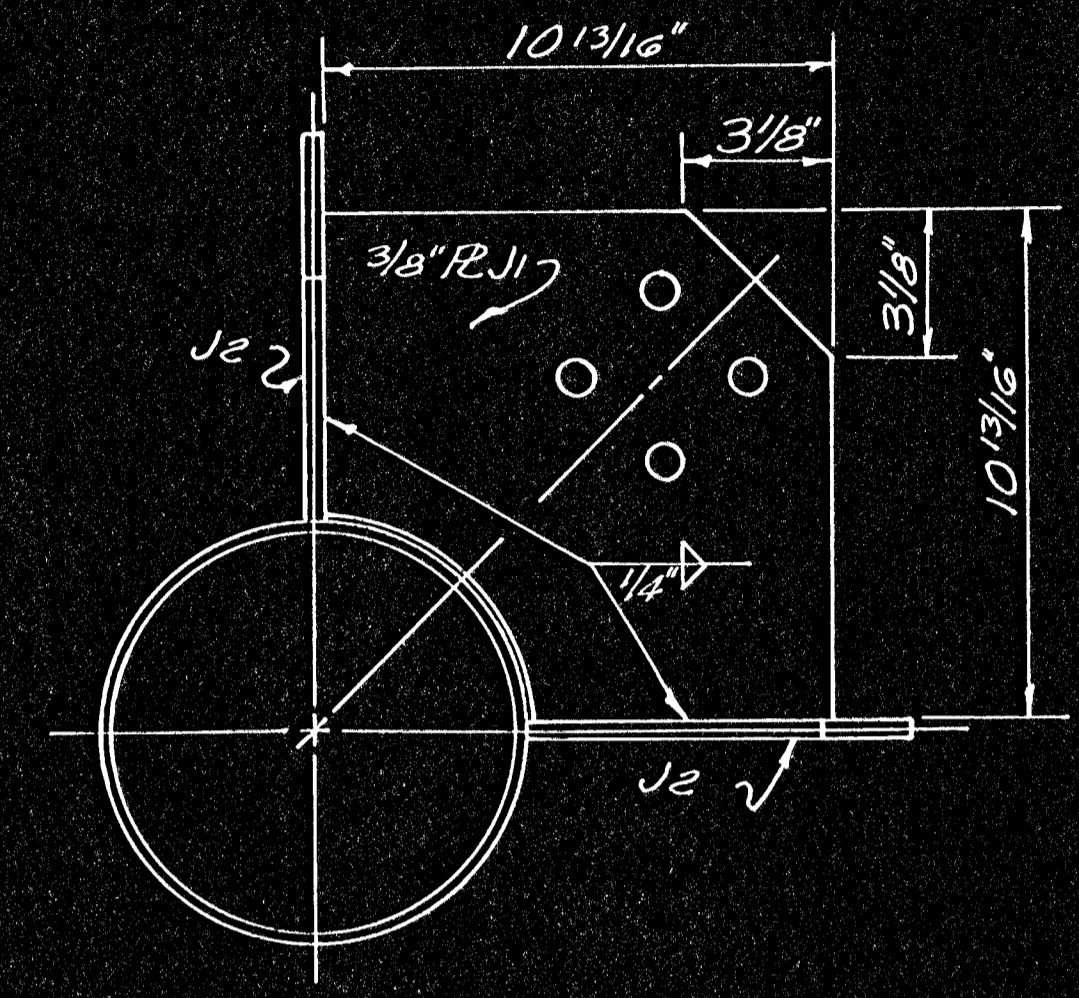


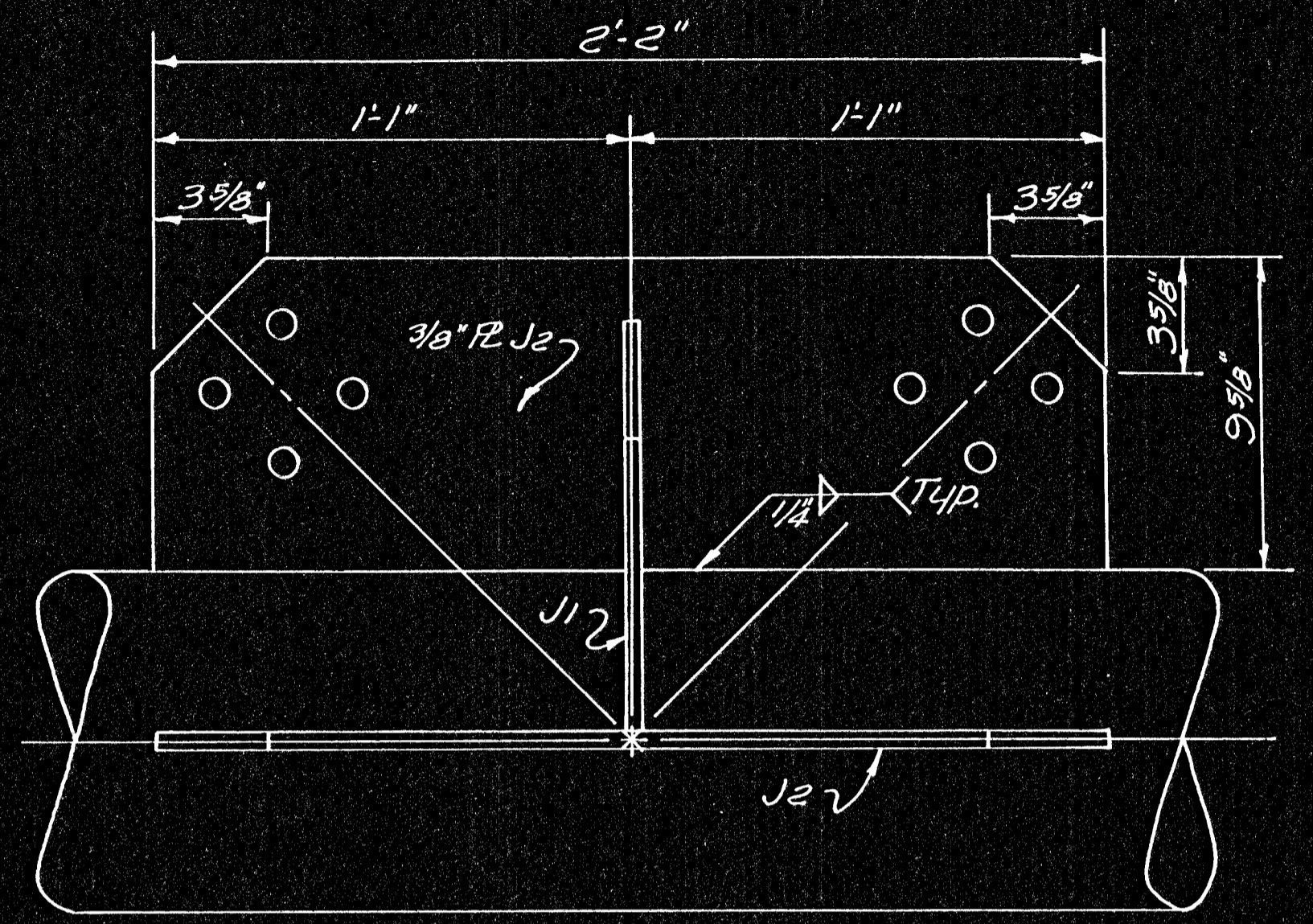
PLAN AT JOINT



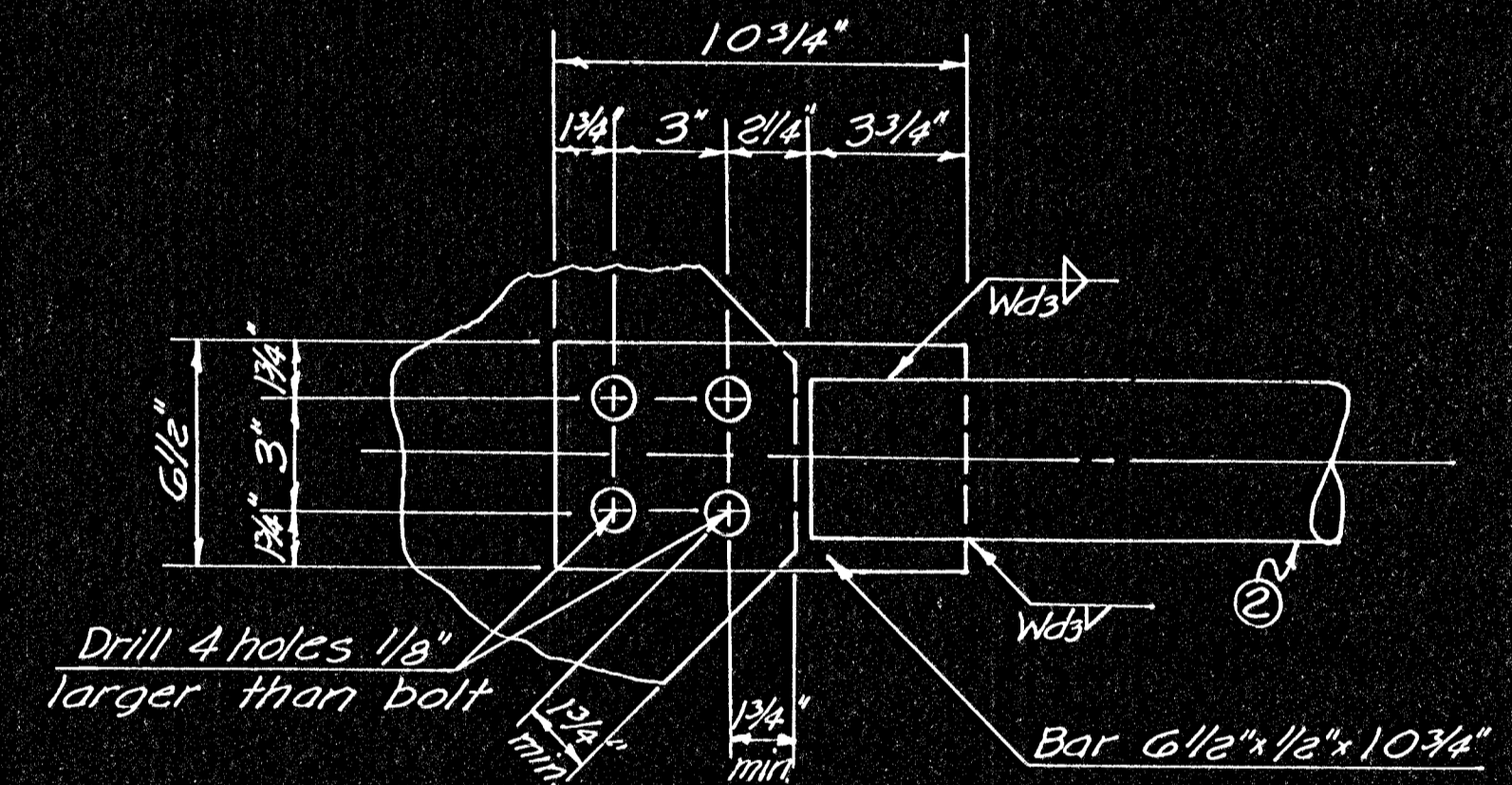
SECTION NEAR JOINT



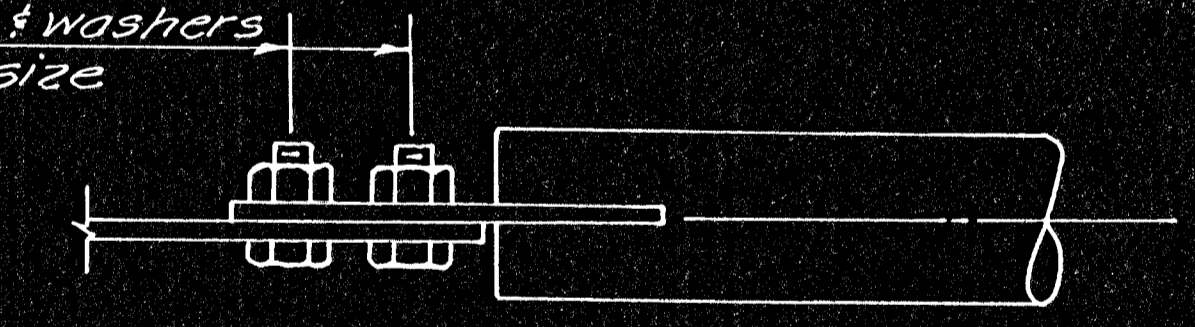
DETAILS R J1



DETAILS R J2



4-H.S. bolts, nuts, & washers  
see table for size



TYPICAL BOLTED JOINT

Member	Fillet	Bolt
Thickness	weld	Size
0.120	3/16"	3/4" x 2 1/4"
0.203	3/16"	1/2" x 2 1/4"
0.276	1/4"	1 1/2" x 2 1/4"

\* See Construction Layout  
for wall thickness and "S".

Note: Welded and bolted option may  
be mixed for a given truss or at  
a given joint.

NO.	DATE	REVISIONS	BY	APP'D.
3				
2				
1				

DEPARTMENT OF TRANSPORTATION - KANSAS  
STANDARD STRUCTURAL SIGN SUPPORTS  
SPAN TYPE OVERHEAD  
STEEL TRUSS  
JOINT DETAILS (BOLTED OPTION)

8-75

SHEET NO. 135 of 143	SCALE	APP'D.
DESIGNED BY RBA	DETAILED BY RBA	QUANTITIES TRACED BY RBA
DESIGN CK. RDT	DETAIL CK. RDT	QUAN. CK. TRACED BY RBA