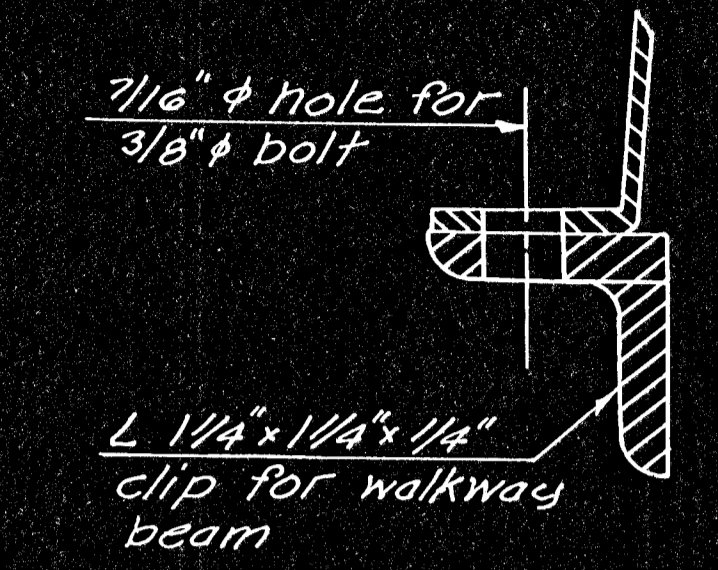
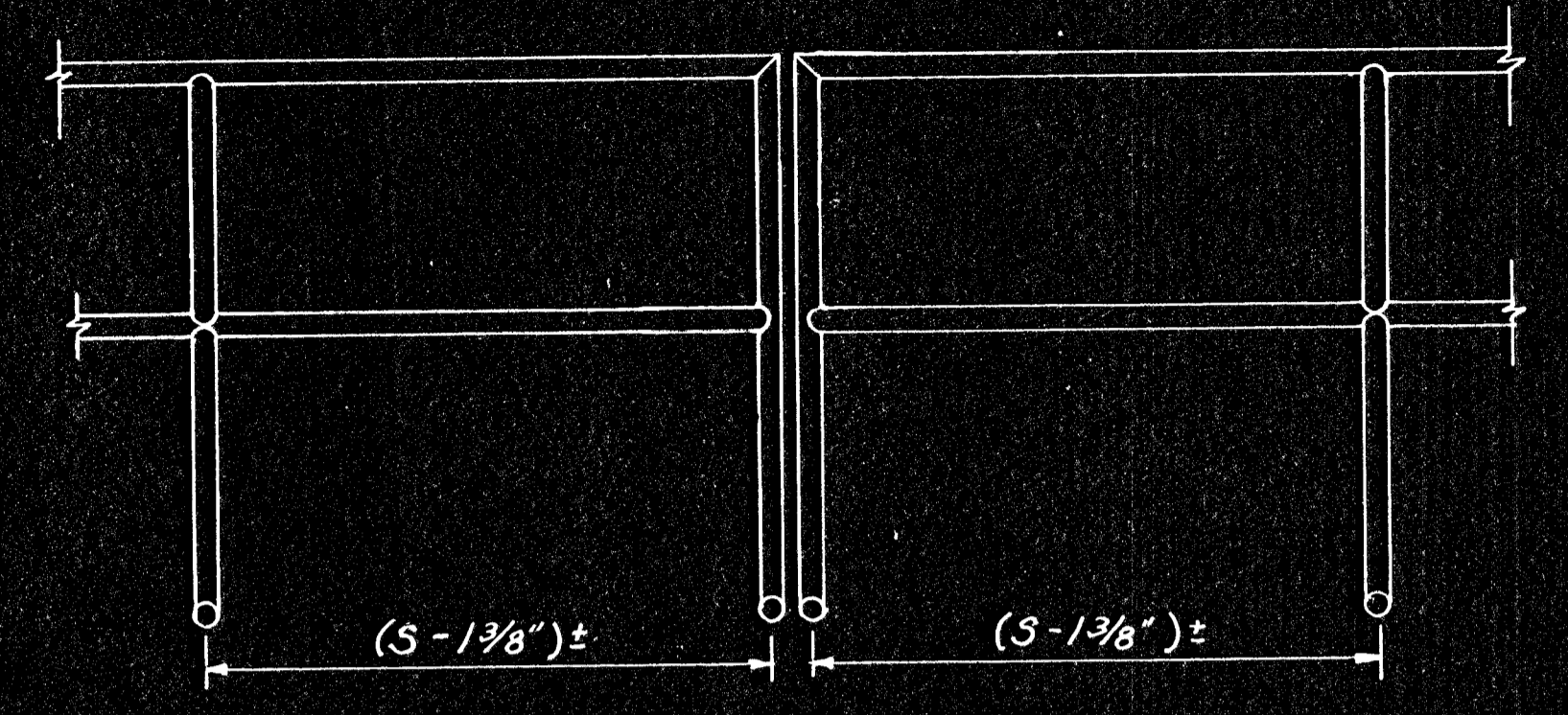
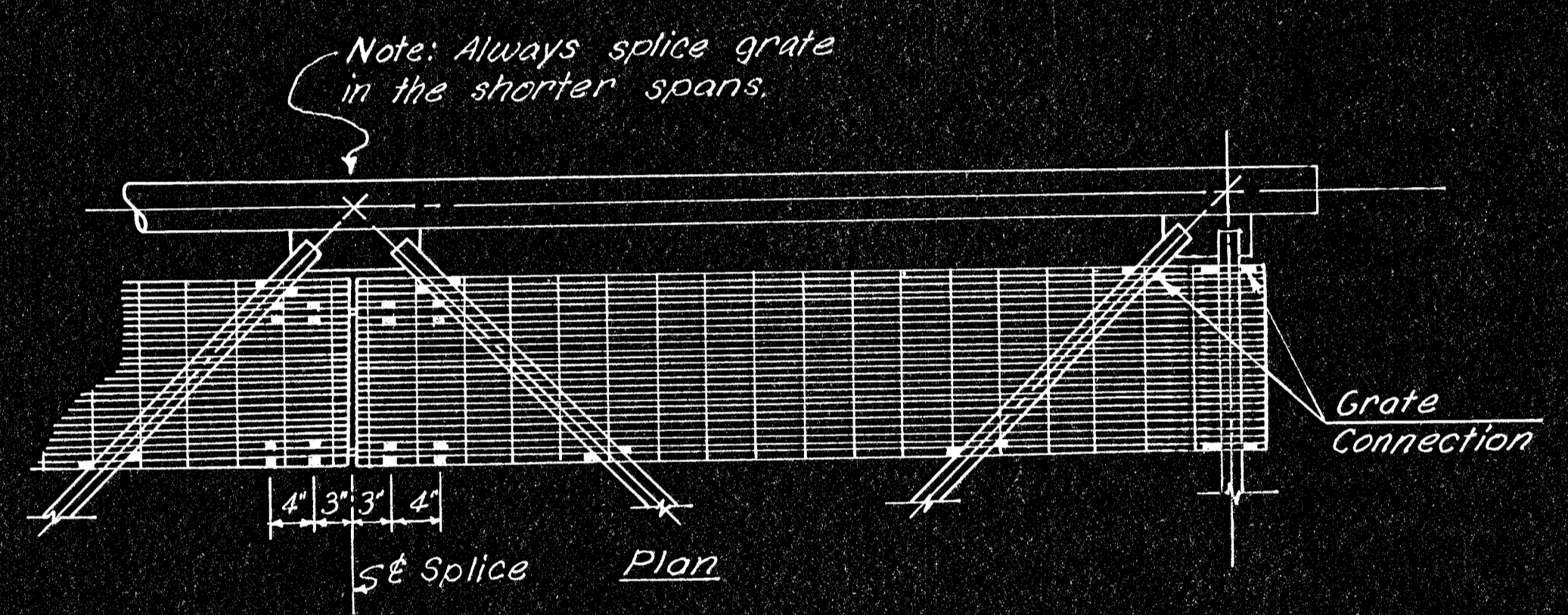


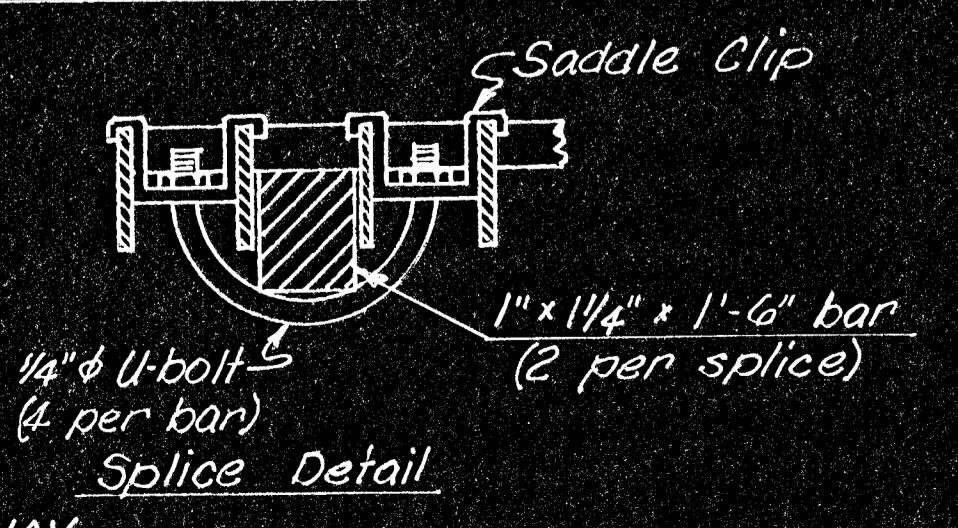
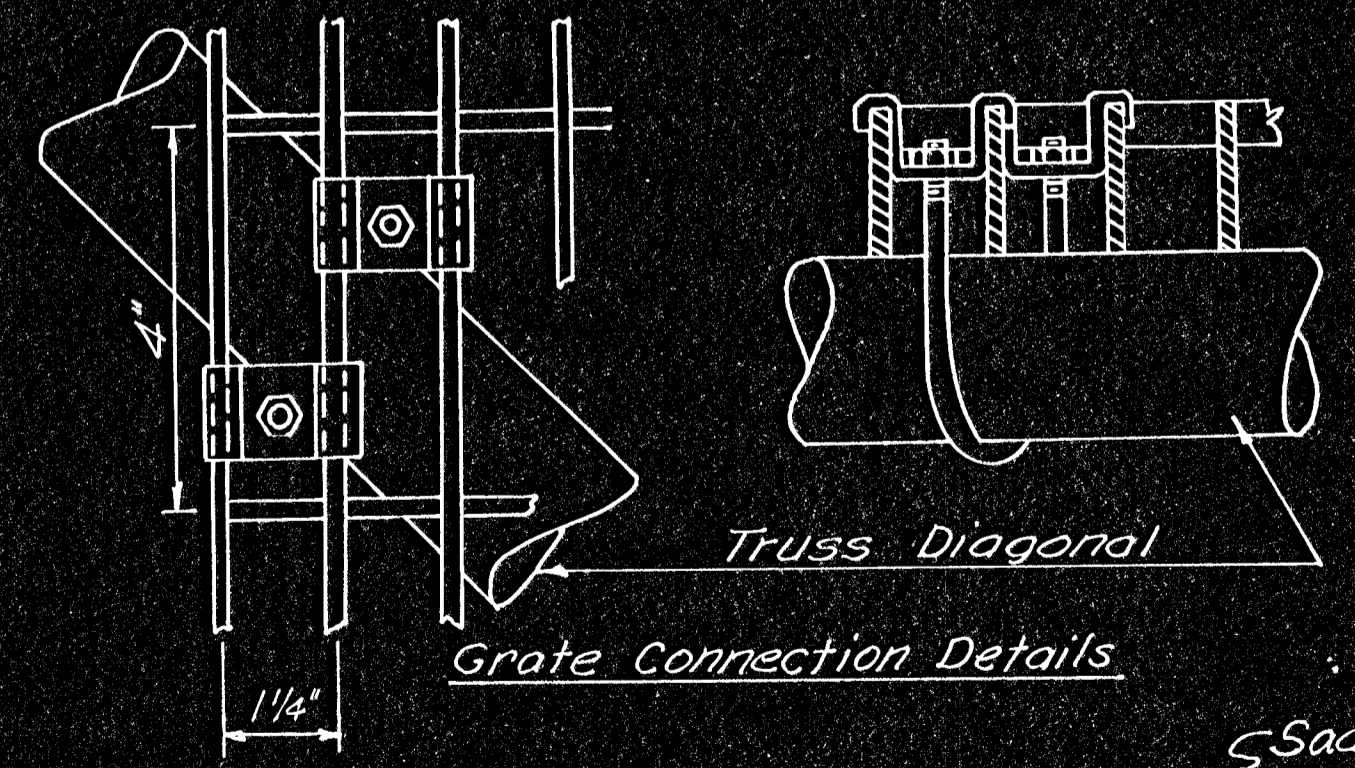
STEEL HANDRAIL



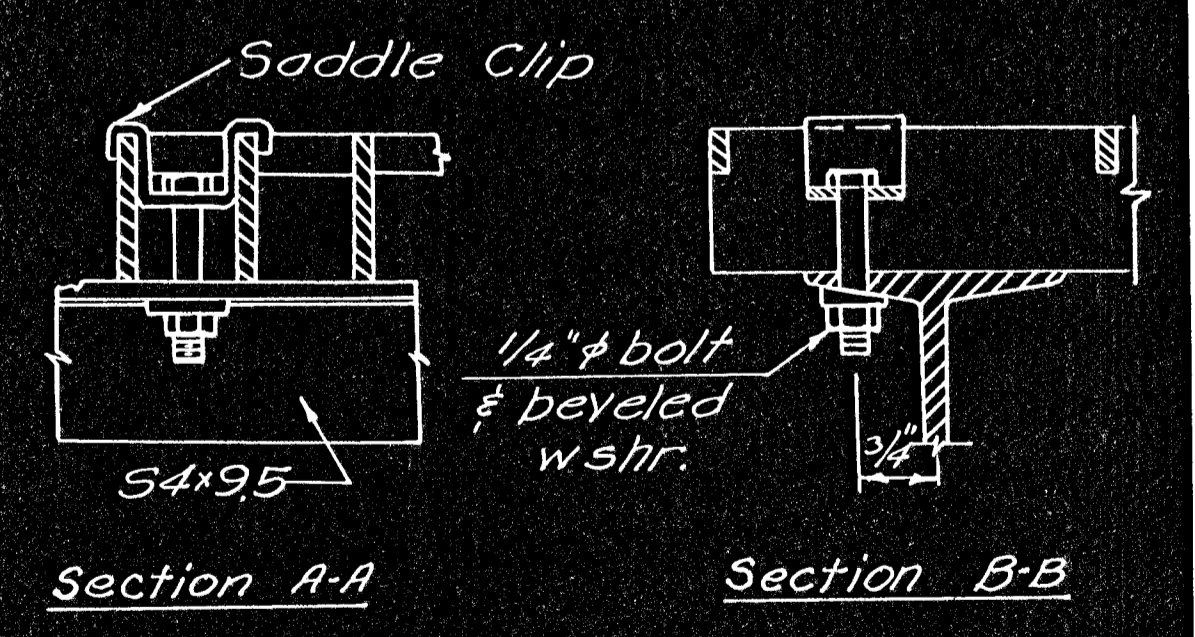
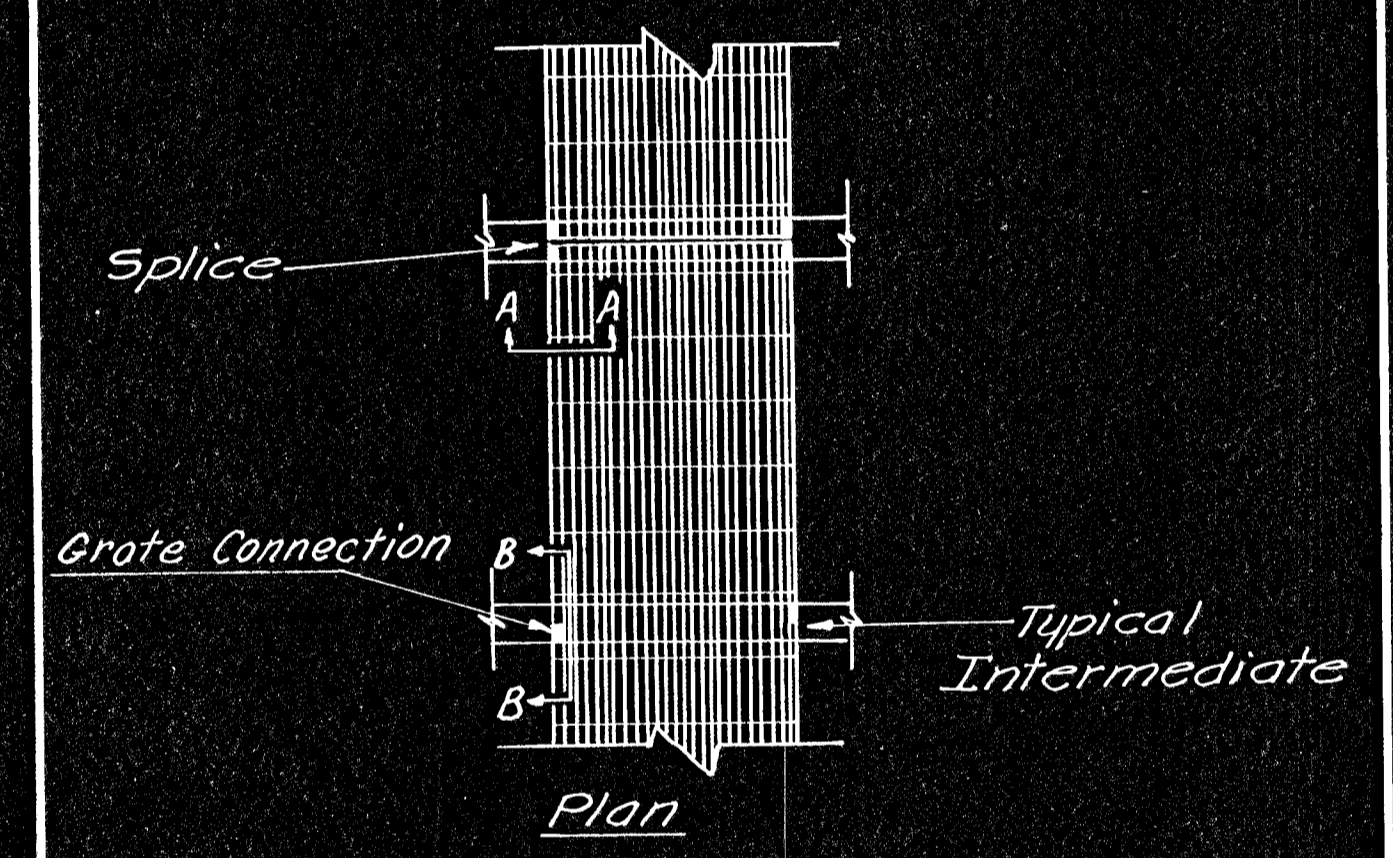
LIGHT FIXTURE MOUNTING ANGLE



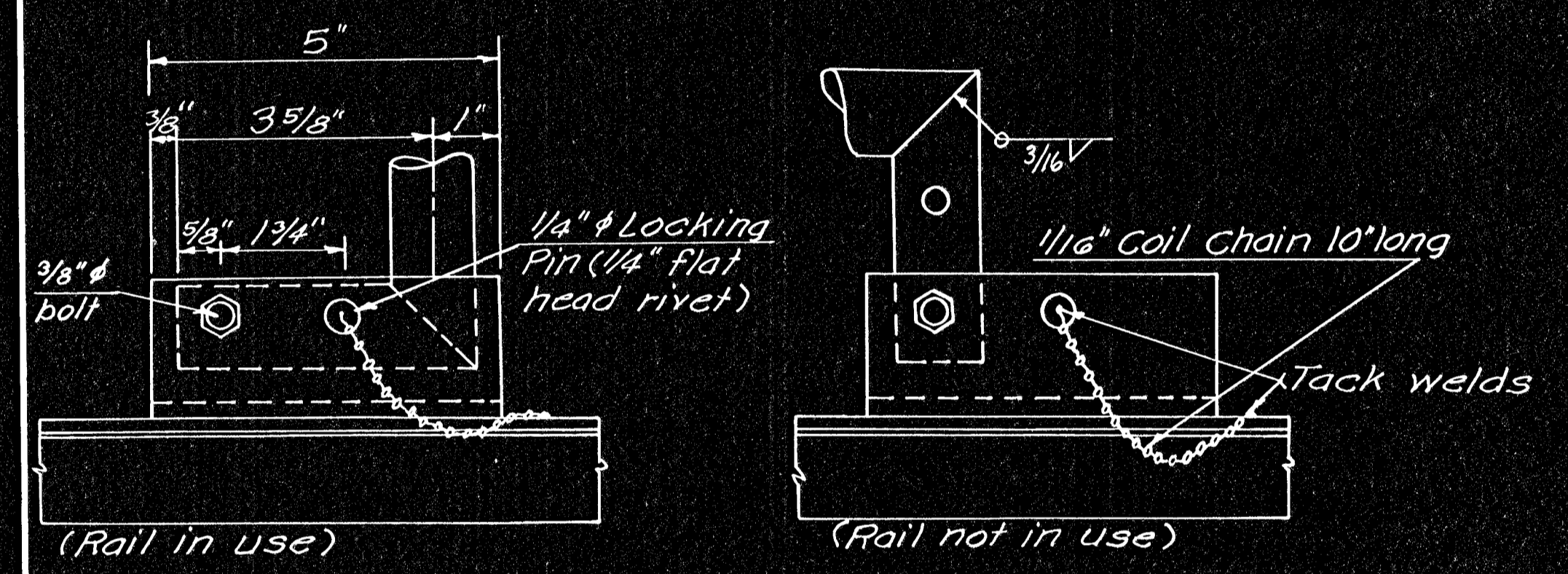
Note: The locations of the splice bars and the U-bolts shown above are nominal. Adjust as necessary to clear truss diagonals and grating cross bars.



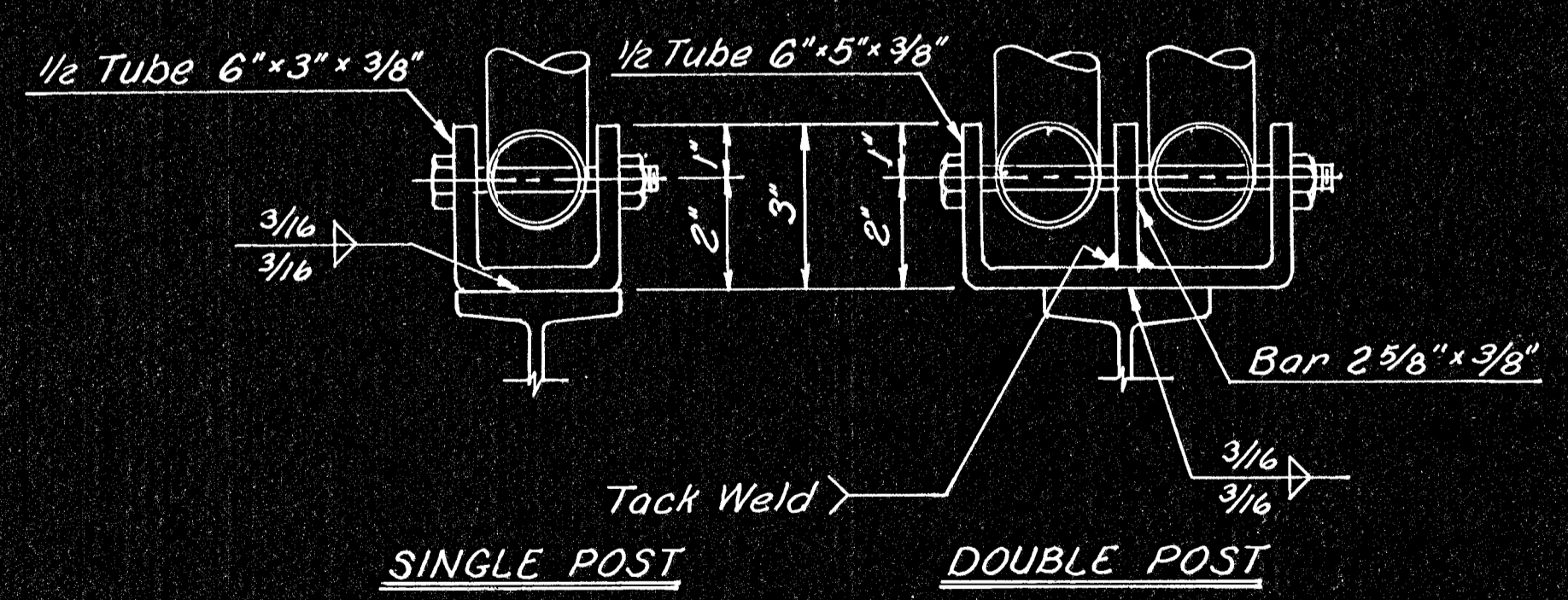
INTERIOR WALKWAY



EXTERIOR WALKWAY



HANDRAIL CONNECTION



| 3 | | | | | |
|-----------------------------------------|---------------------|-----------|------------|---------------|-------|
| 2 | | | | | |
| 1 | | | | | |
| NO. | DATE | REVISIONS | BY | APP'D | |
| DEPARTMENT OF TRANSPORTATION - KANSAS | | | | | |
| STANDARD STRUCTURAL SIGN SUPPORTS | | | | | |
| SPAN TYPE OVERHEAD | | | | | |
| STEEL SIGN MOUNTING AND WALKWAY DETAILS | | | | | |
| 8-75 | | | | | |
| SHEET NO. 138 OF 143 | SCALE | APP'D | QUANTITIES | TRACED | APP'D |
| DESIGNED BY BFM | DETAILED BY JCD/KLD | | | TRACED BY RJA | |
| DESIGN CK. RPH | DETAIL CK. RPH | QUAN. CK. | | TRACE CK. BFT | |