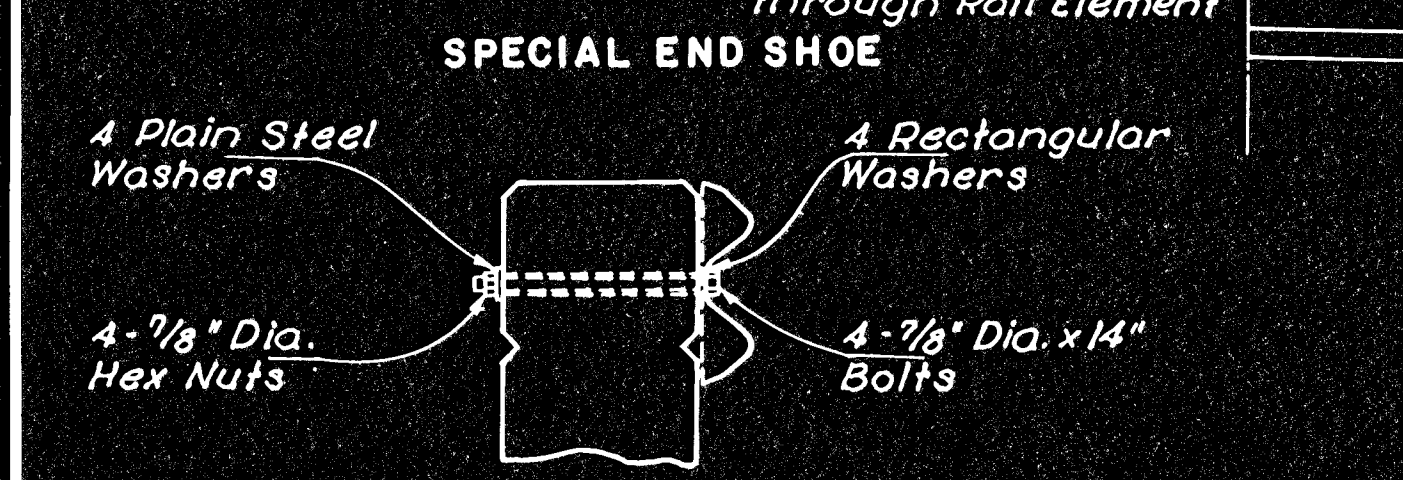
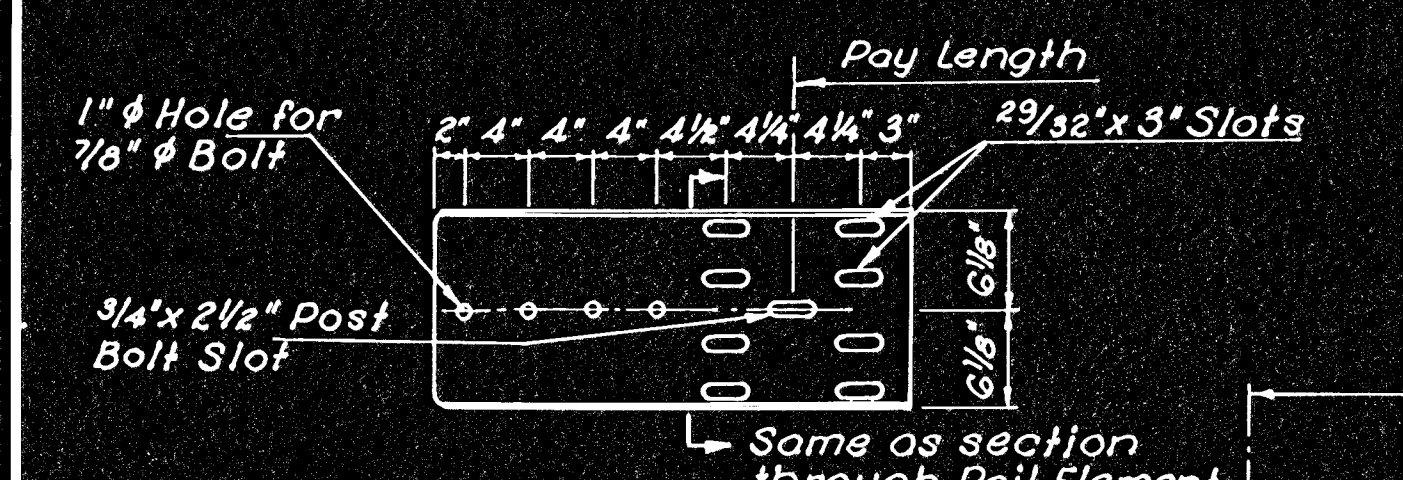
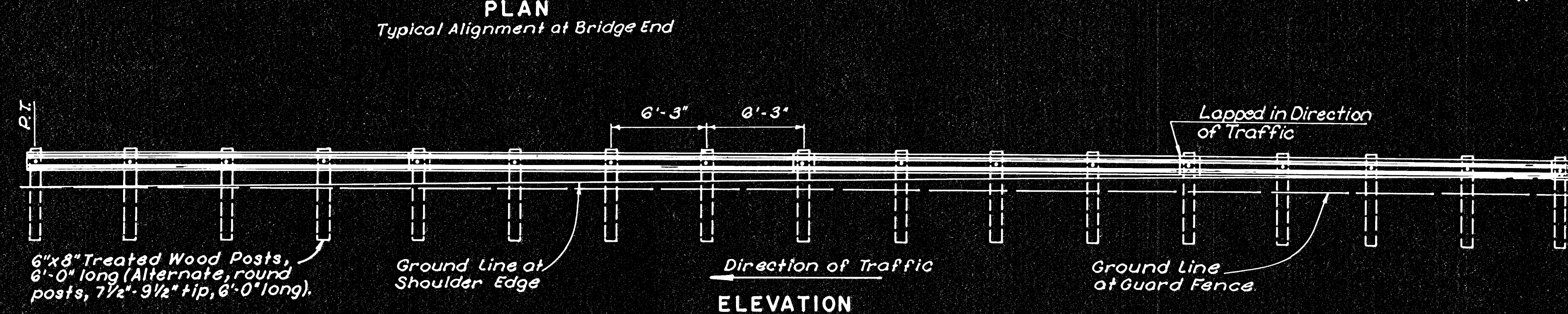
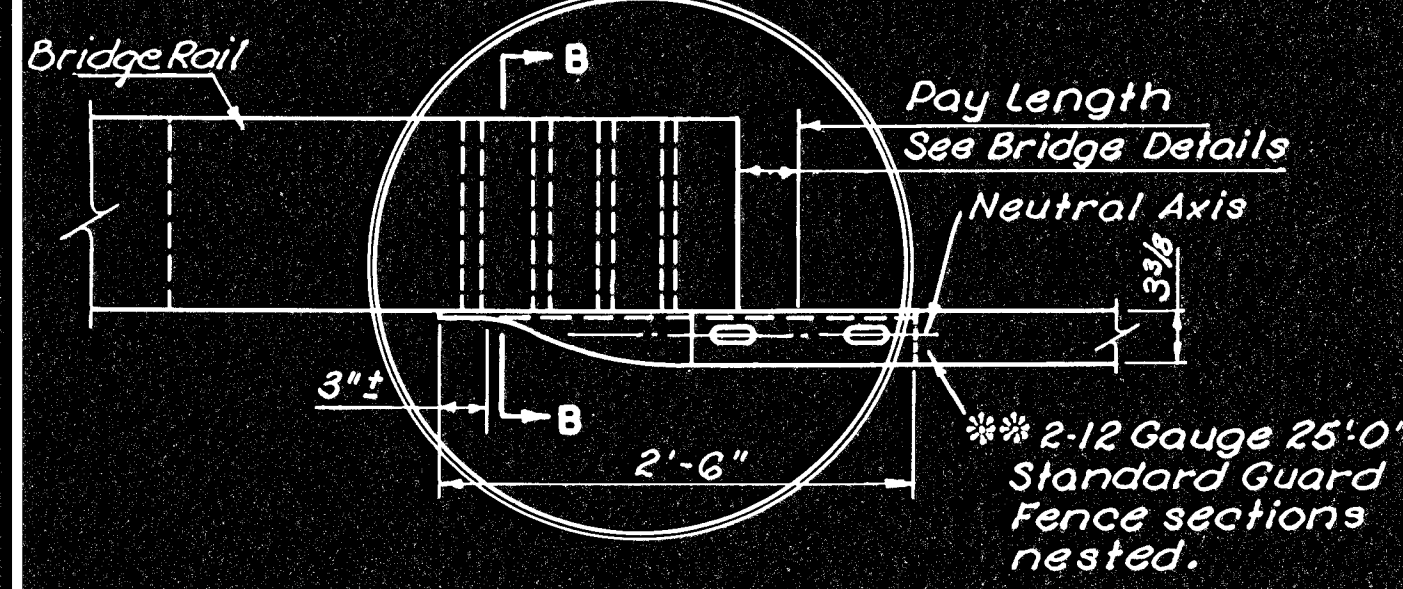
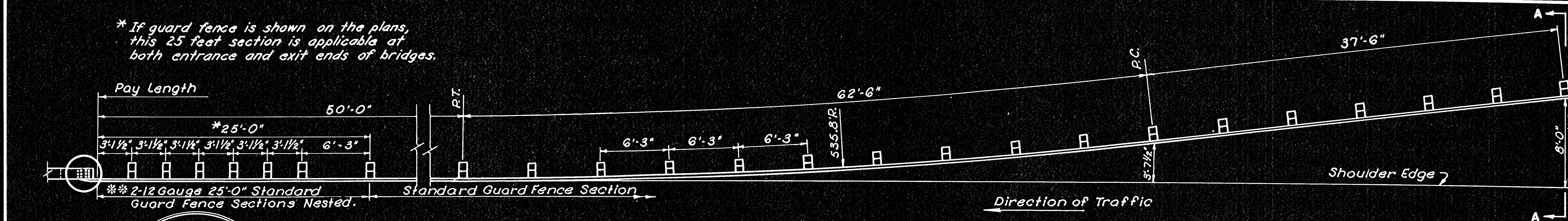
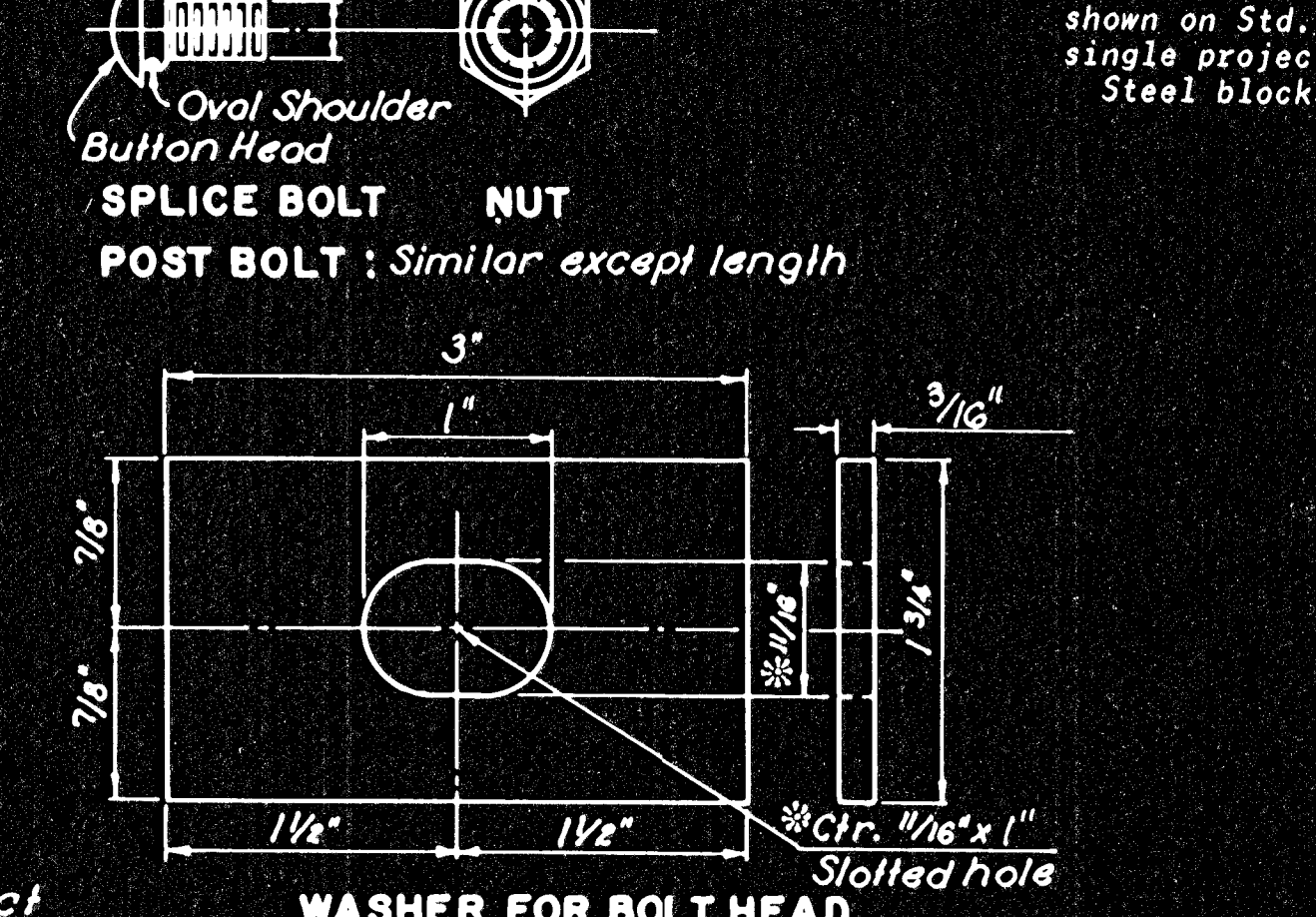
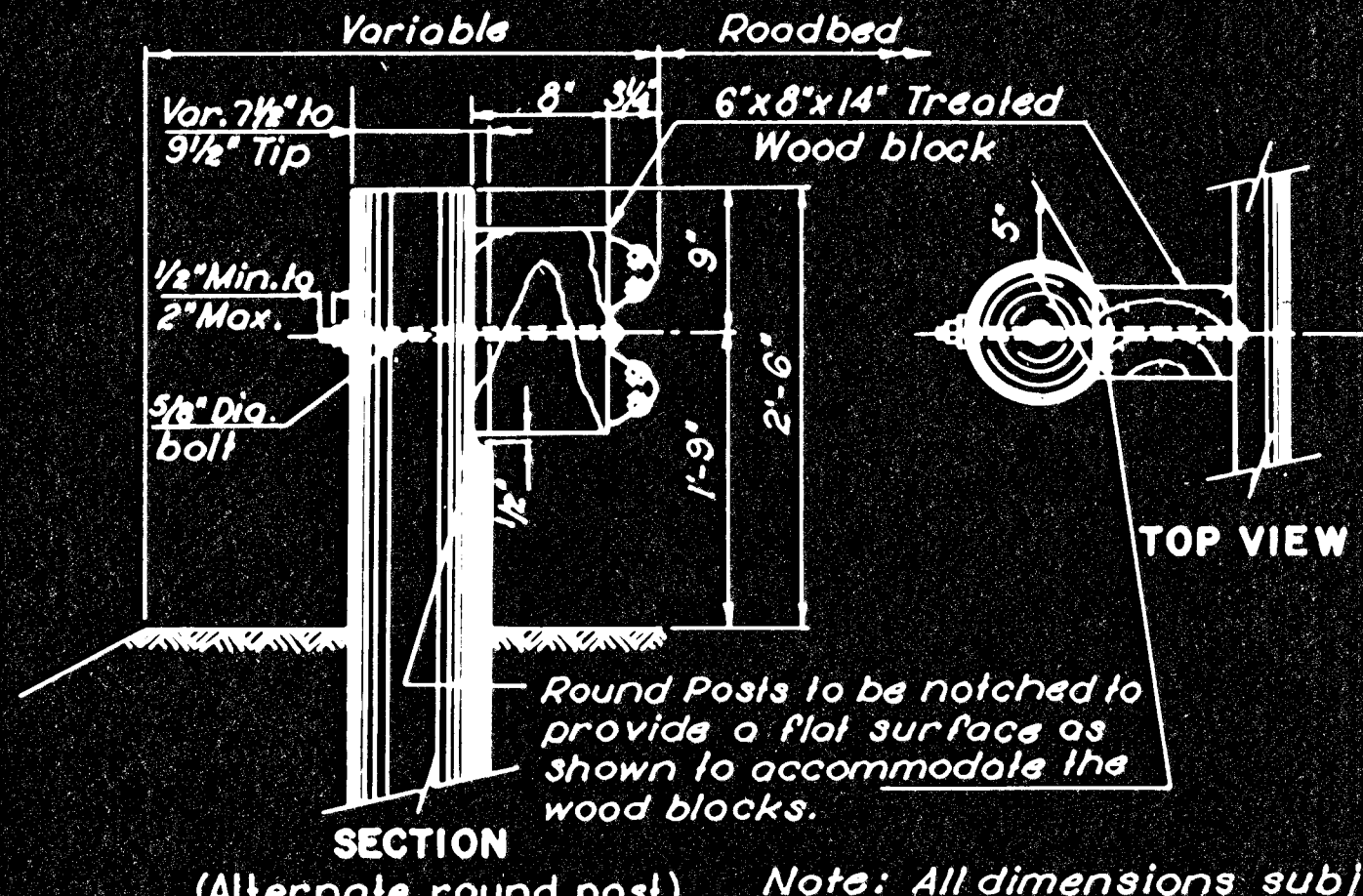
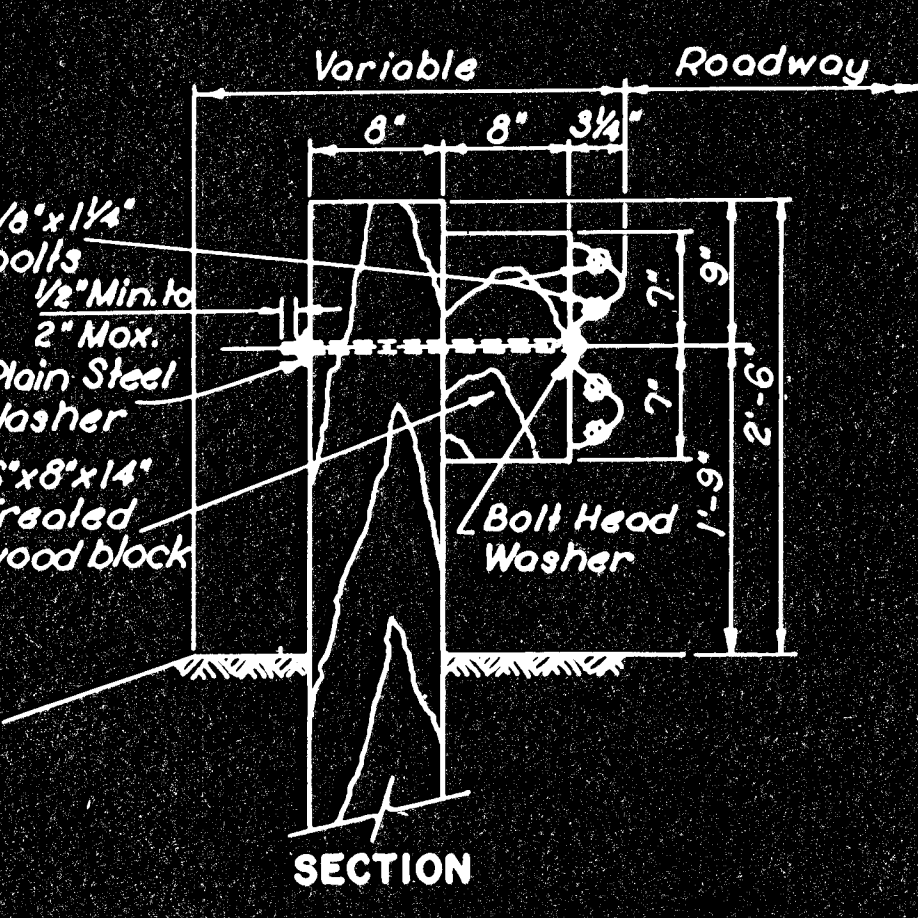
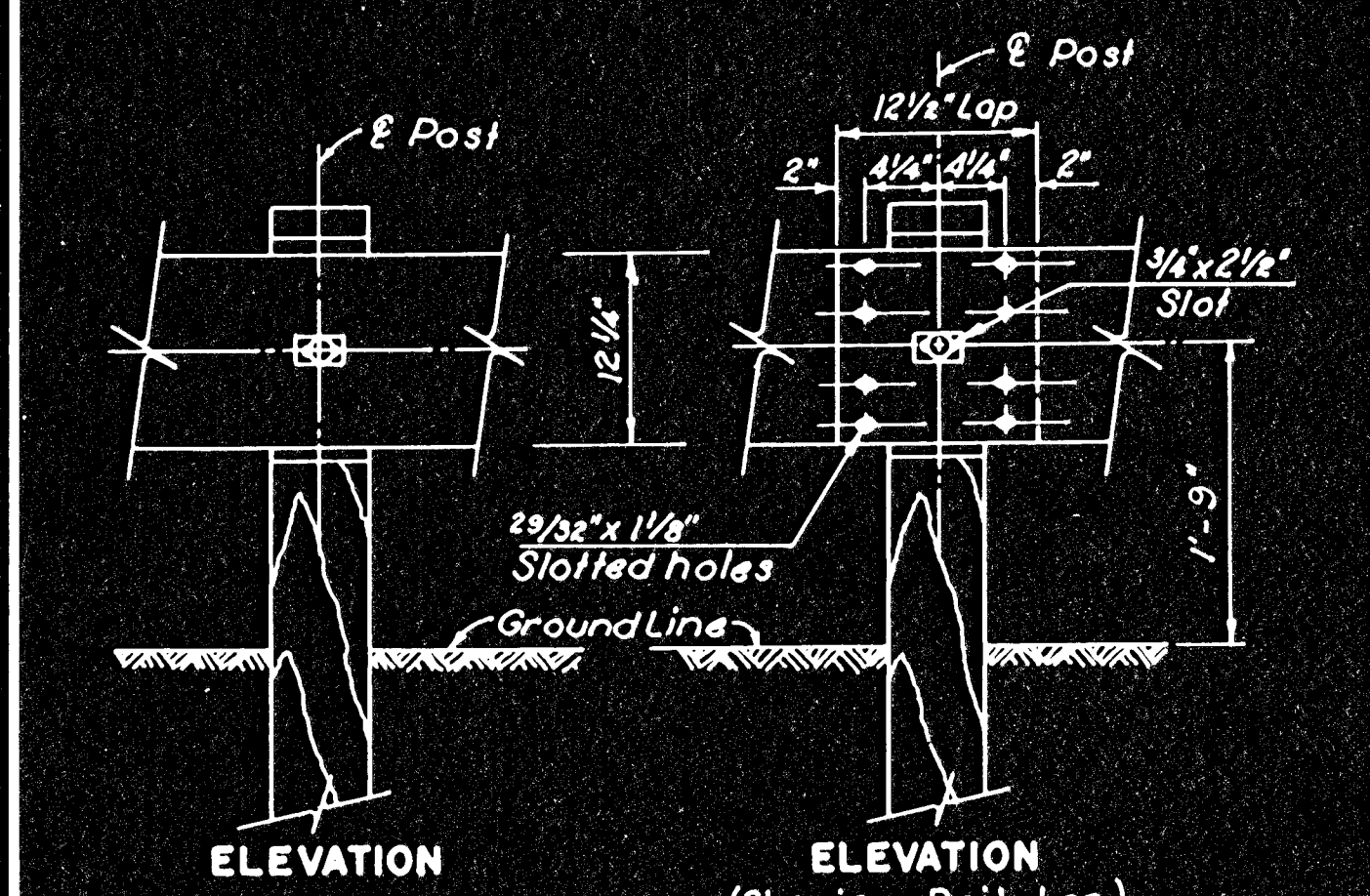
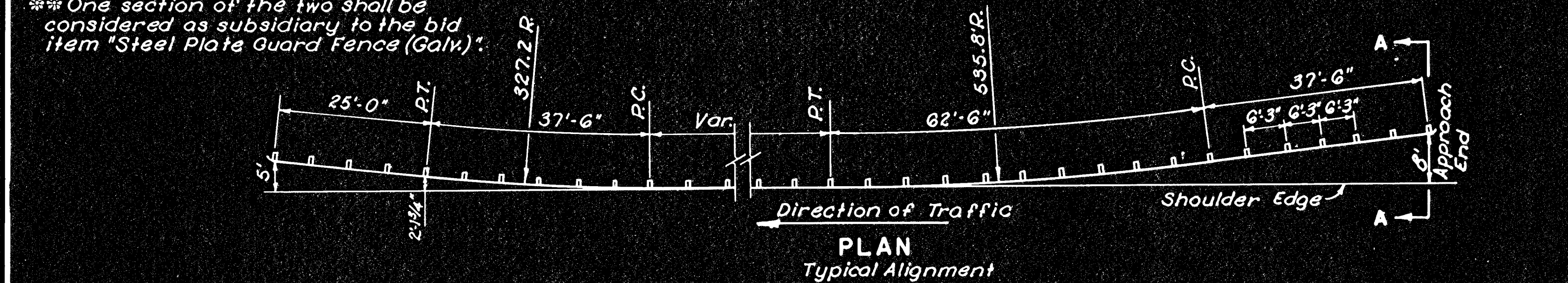
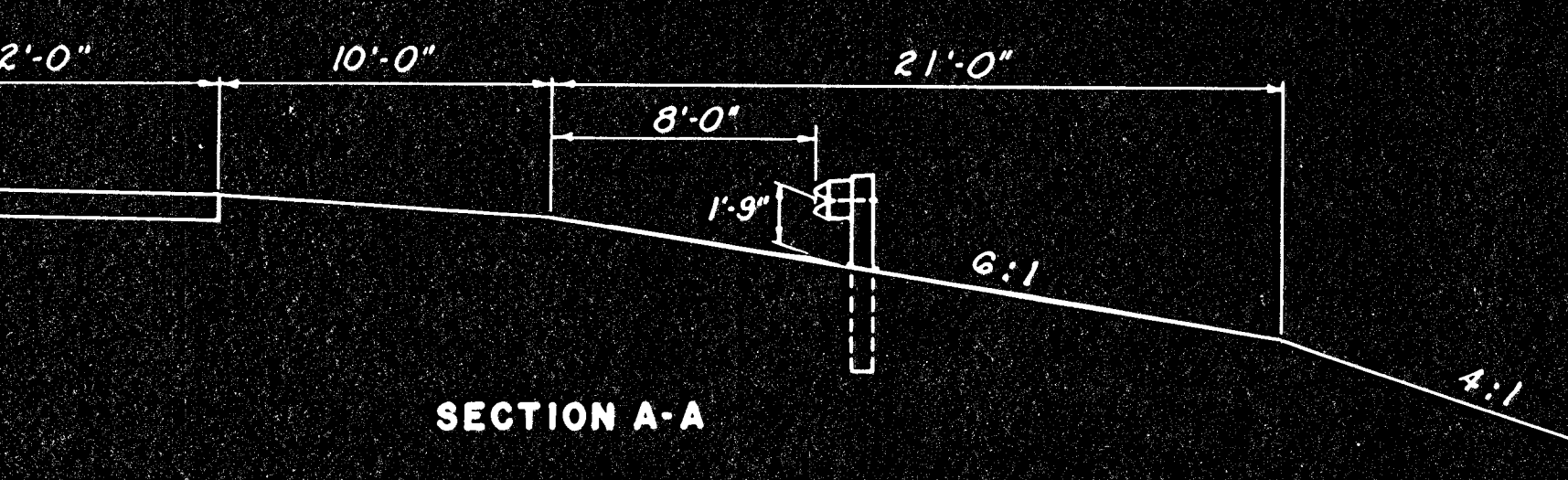


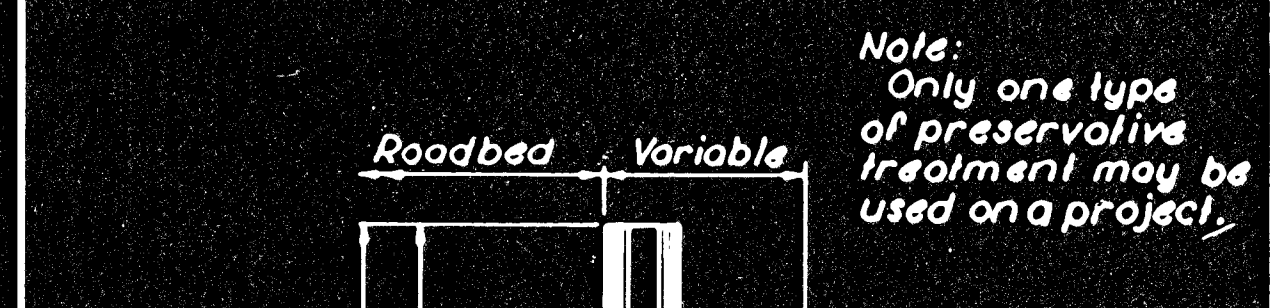
* If guard fence is shown on the plans, this 25 feet section is applicable at both entrance and exit ends of bridges.



** One section of the two shall be considered as subsidiary to the bid item "Steel Plate Guard Fence (Galv)."



AREA	STATE	PROJECT NO.	DATE	REV.	BY
7	KANSAS	(BC)96-87-K044-1(28)	10/78	1/1	1/13



NOTE: Treated wood posts shall be used. All wood posts shall be given a preservative treatment of creosote or penta solution as provided in the Specifications. Reflectorized material to be applied to the post by the State. Where wood guide posts are to be used as underdrain markers, the top 18" of the posts shall be given 2 coats of aluminum paint and the top 12" of the post shall be given one coat of red lead paint. See Std. No. 650.1 (Underdrains) for typical location when posts are used as underdrain markers.

GENERAL NOTE FOR GUARD FENCE

All wood posts and wood blocks shall be given a preservative treatment of creosote or penta solution as provided in the Specifications. All cuts, injuries and bolt holes in treated posts and wood blocks shall be thoroughly saturated with preservative. Only one type of preservative treatment may be used on a project. Rectangular posts and wood blocks (6" x 8" x 14") may be S4S, or they may be rough sawn and graded in accordance with the "Methods for Establishing Structural Grades of Lumber", ASTM Designation D 245. Round treated wood posts 7 1/2" to 9 1/2" tip diameter, 6'-0" long may be substituted in place of the rectangular post shown. The butt diameter for round posts shall be larger than the tip diameter and the maximum taper from tip to butt shall be 2 inches. Galvanized steel rail plates shall be used. All post rail fittings and anchor bolts shall be galvanized in accordance with Standard Specifications. Guard rail parts furnished under this specification shall be interchangeable with similar parts regardless of the source or manufacturer. Steel rail plates may be furnished in 25' sections. All steel plate guard fence rails to be shop curved when radius is less than 150'. Special End Shoe shall be 10 Gauge steel and galvanized in accordance with ASTM Designation: A 525 with coating class 2.0. The shoe has the same section as through beam guard rail. Special end shoe shall be subsidiary to Guard Fence. All bolts, nuts and washers to be galvanized in accordance with sub section 1006.16 of the standard specifications. Excavation of all classes, including rock, shale and other materials regardless of the elevations encountered, required for the erection of Guard Fence and Guide Posts shall be considered as subsidiary to the various bid items for which payment is made. Guard fence posts or Guide Posts may be set by digging or by driving. During driving operations, post caps shall be used, which are so designed as to protect the post from crushing. Guard Fence Posts may be Wood (as shown on this sheet) or Steel (as shown on Std. 608.5A) with no change in type of Post permitted within a single project. Steel blocks or metal offset brackets will not be permitted on wood posts.

NO.	DATE	REVISIONS	BY	APP'D.
4	12-1-76	Added rough sawn alt.	W.L.H.	L.R.P.
3	6-25-73	To conform to 1973 Specs.	W.L.H.	K.G.L.
2	6-25-73	Added Note on 25' Sect @ Br. Ends	W.L.H.	K.G.L.
1	3/29/72	Slight Rev. of Washer for Bolt Hd.	W.L.H.	K.G.L.

KANSAS DEPARTMENT OF TRANSPORTATION
STEEL PLATE
GUARD FENCE
WITH WOOD POSTS
WOOD
ST.D. NO. 608.5 GUIDE POSTS
Sept. 15, 1970
DESIGNED: G.C. QUANTITIES: W.L.H. TRACED: L.R.P.
DESIGN CL. DETAIL CL. W.L.H. QUAN. CL. TRACED CL. W.L.H.