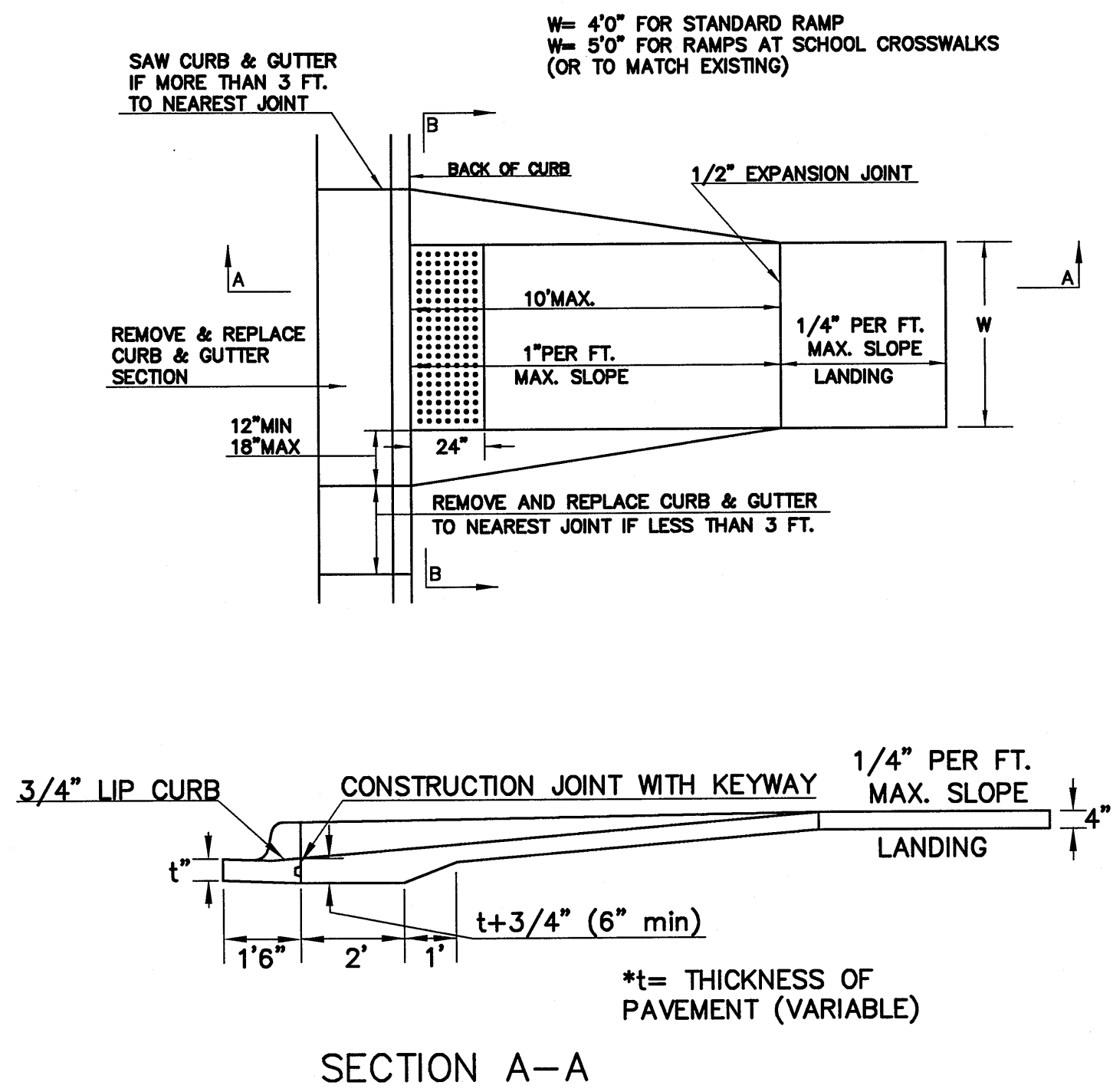
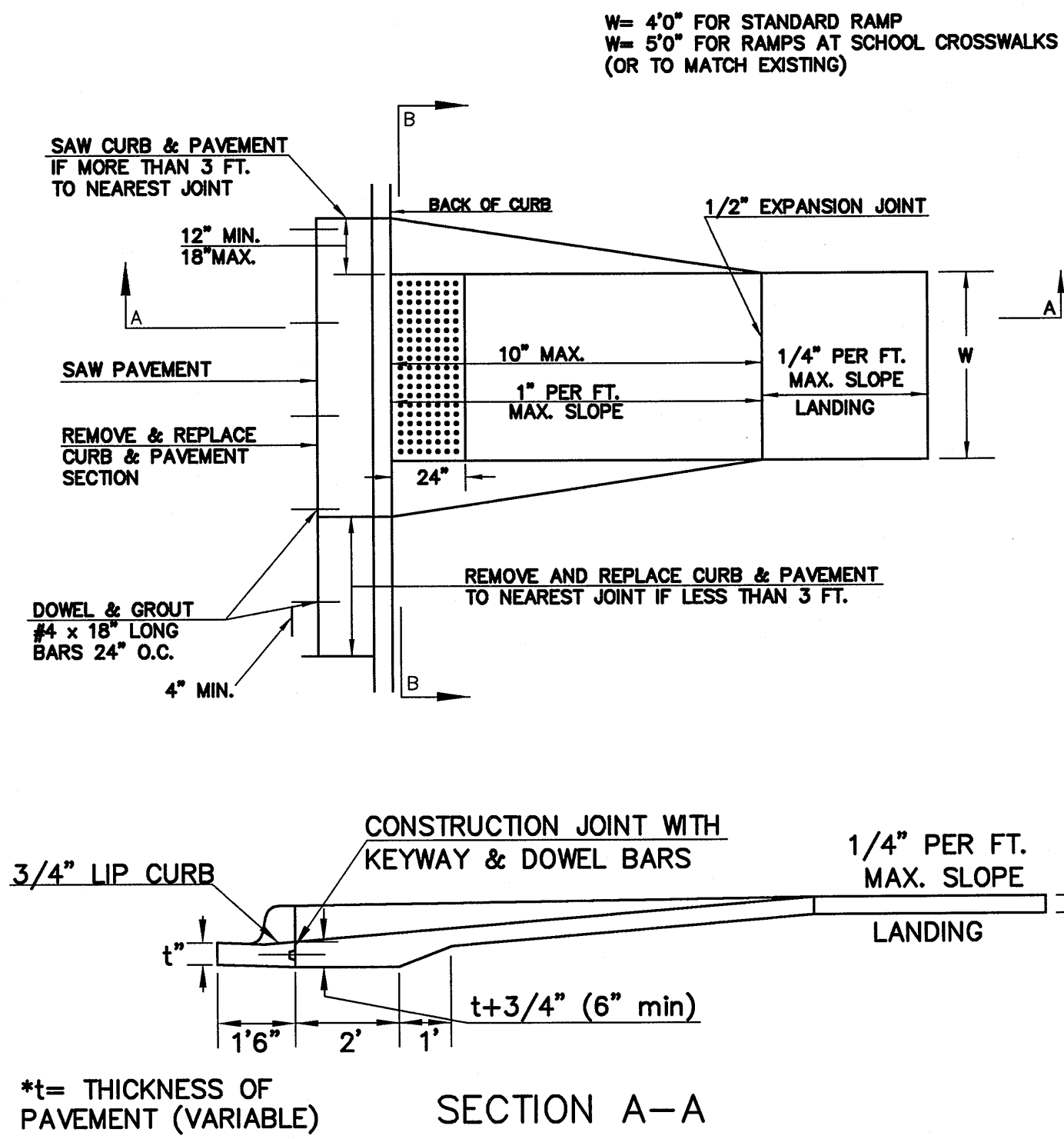


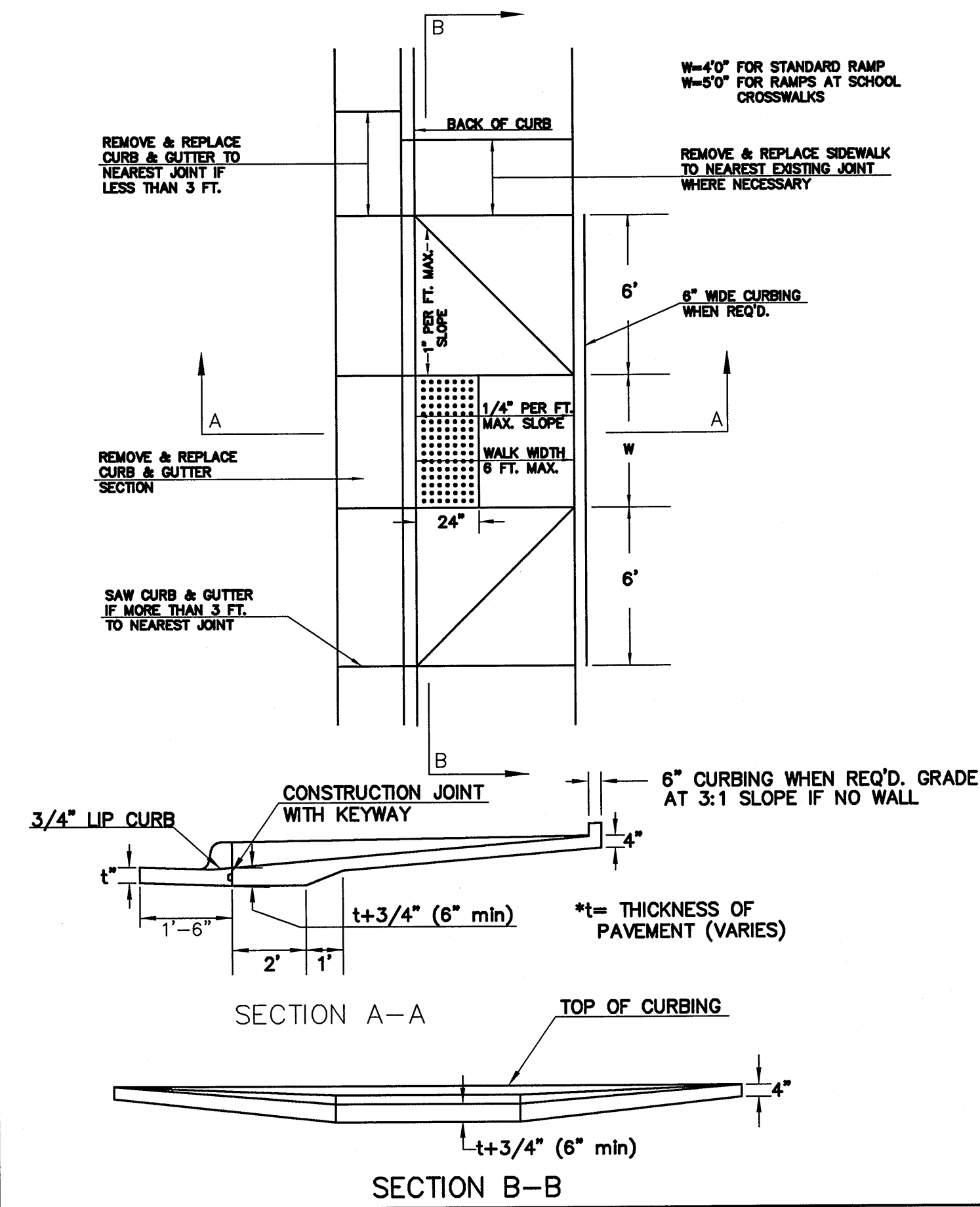
(TYPE A)  
STANDARD WHEELCHAIR RAMP  
CONSTRUCTION DETAIL FOR STREETS  
WITH COMBINED CURB & GUTTER



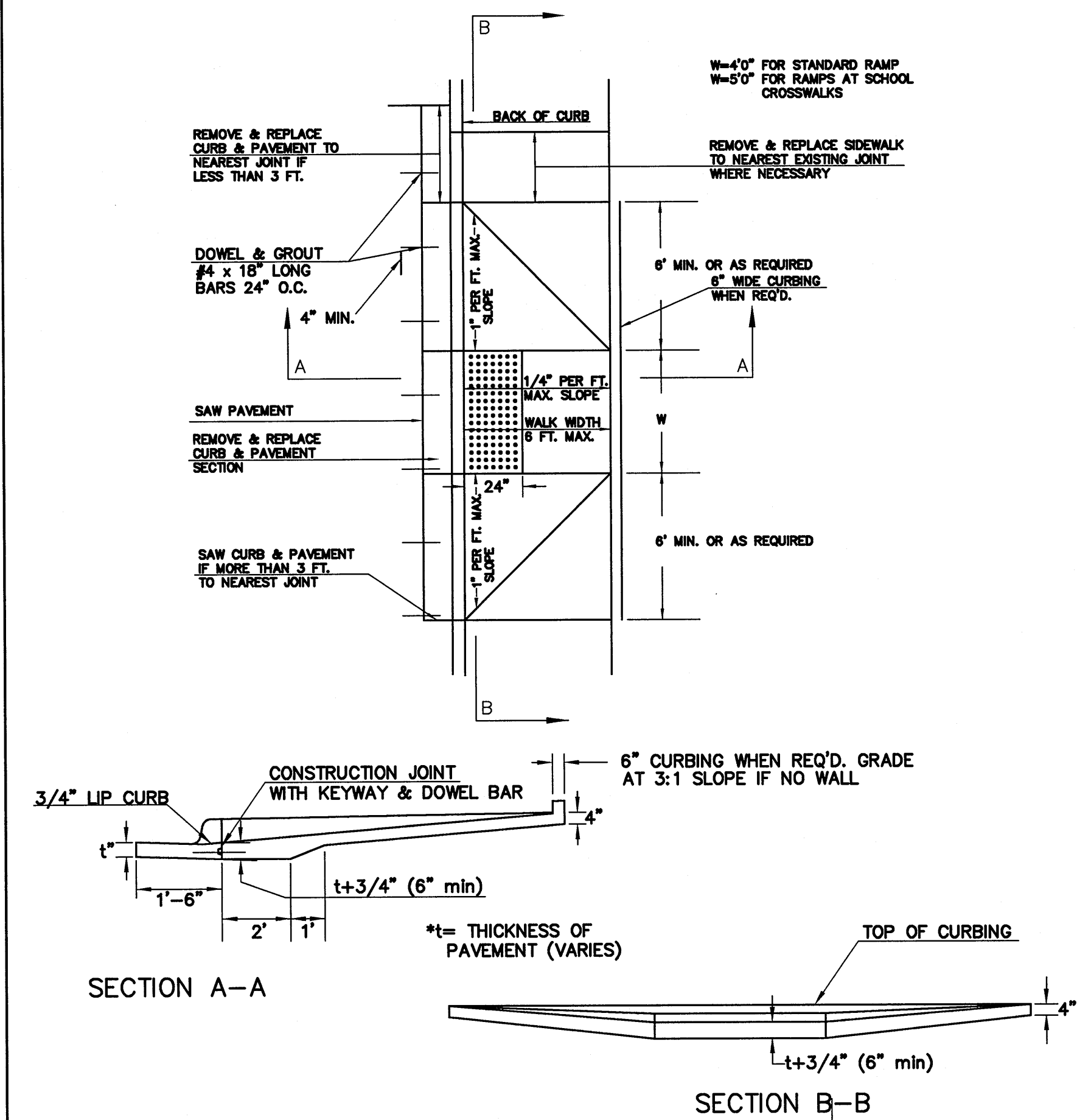
(TYPE A)  
STANDARD WHEELCHAIR RAMP CONSTRUCTION DETAIL FOR  
CONCRETE STREETS WITH MONOLITHIC CURB



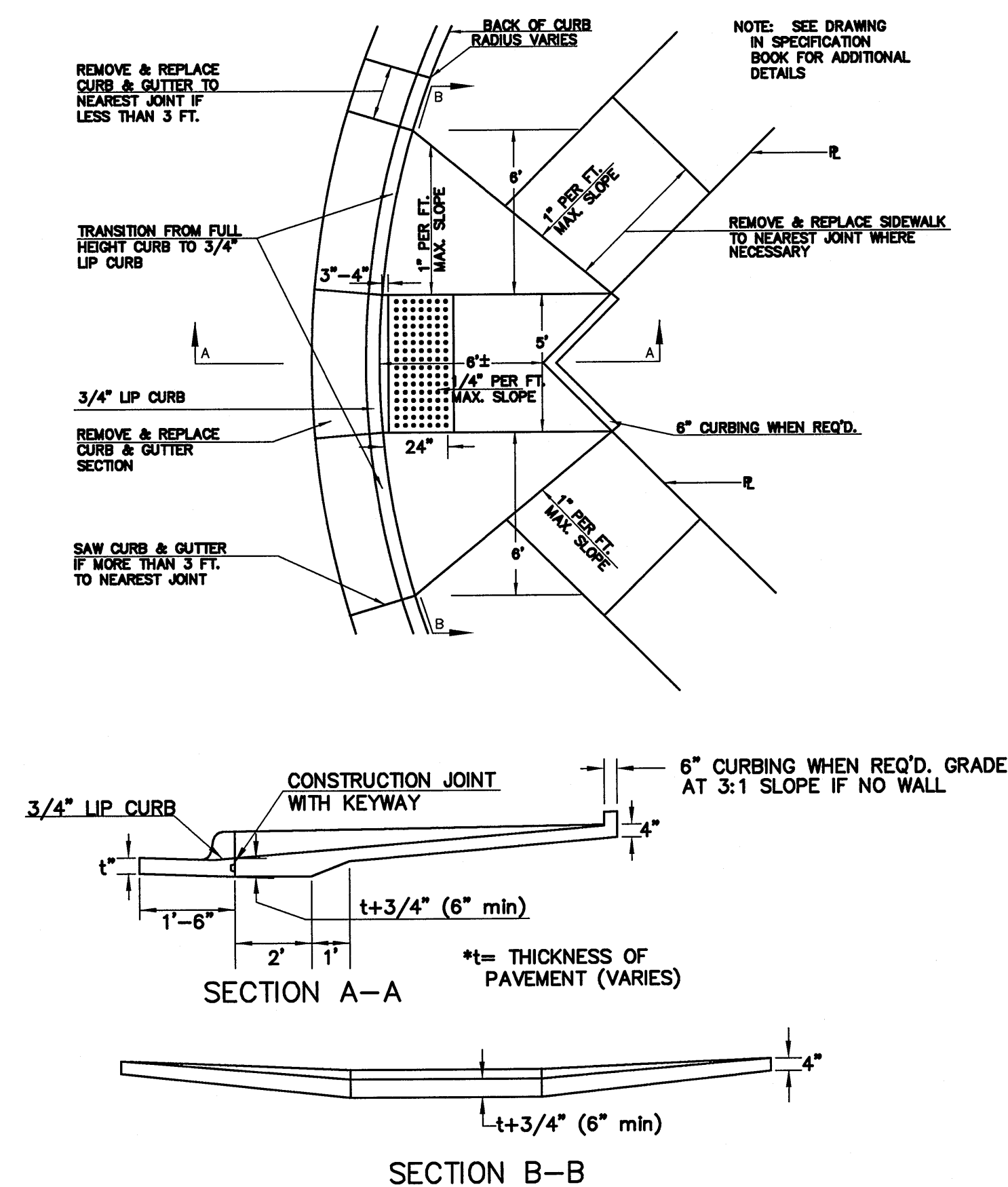
(TYPE B)  
STANDARD WHEELCHAIR RAMP CONSTRUCTION DETAIL FOR  
STREETS WITH COMBINED CURB & GUTTER AND FULL WALK



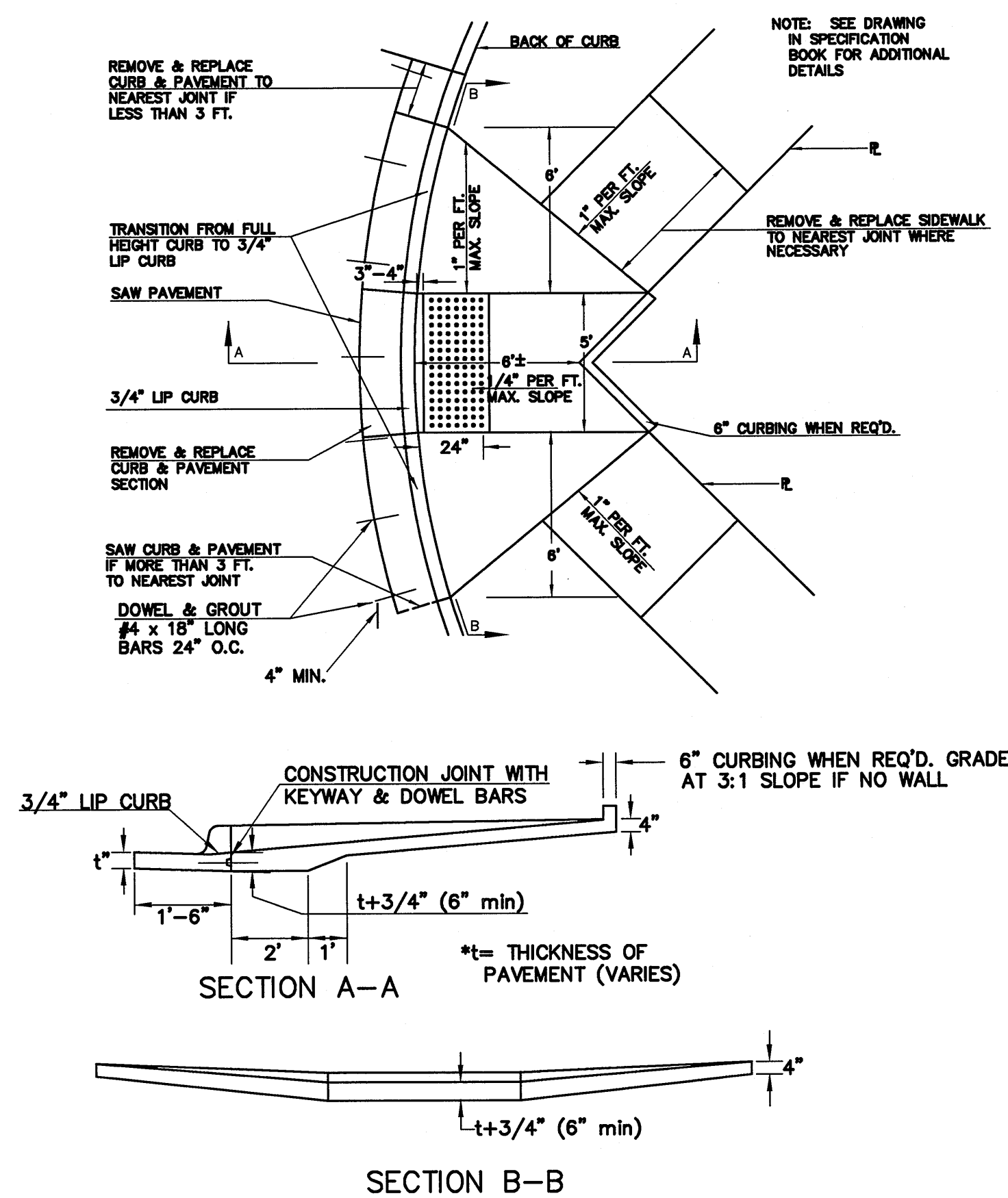
(TYPE B)  
STANDARD WHEELCHAIR RAMP CONSTRUCTION DETAIL FOR  
STREETS WITH MONOLITHIC CURB AND FULL WALK



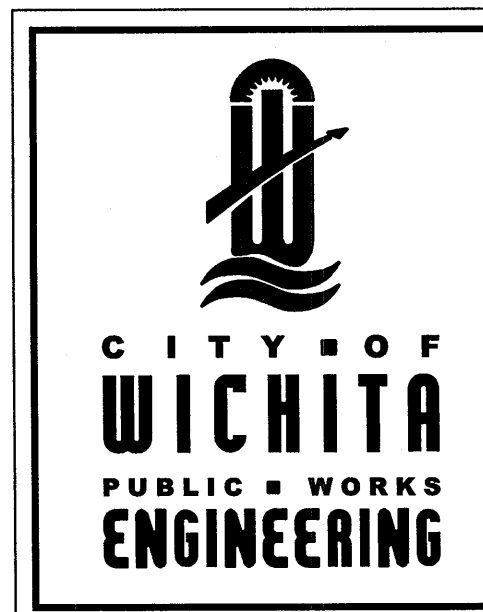
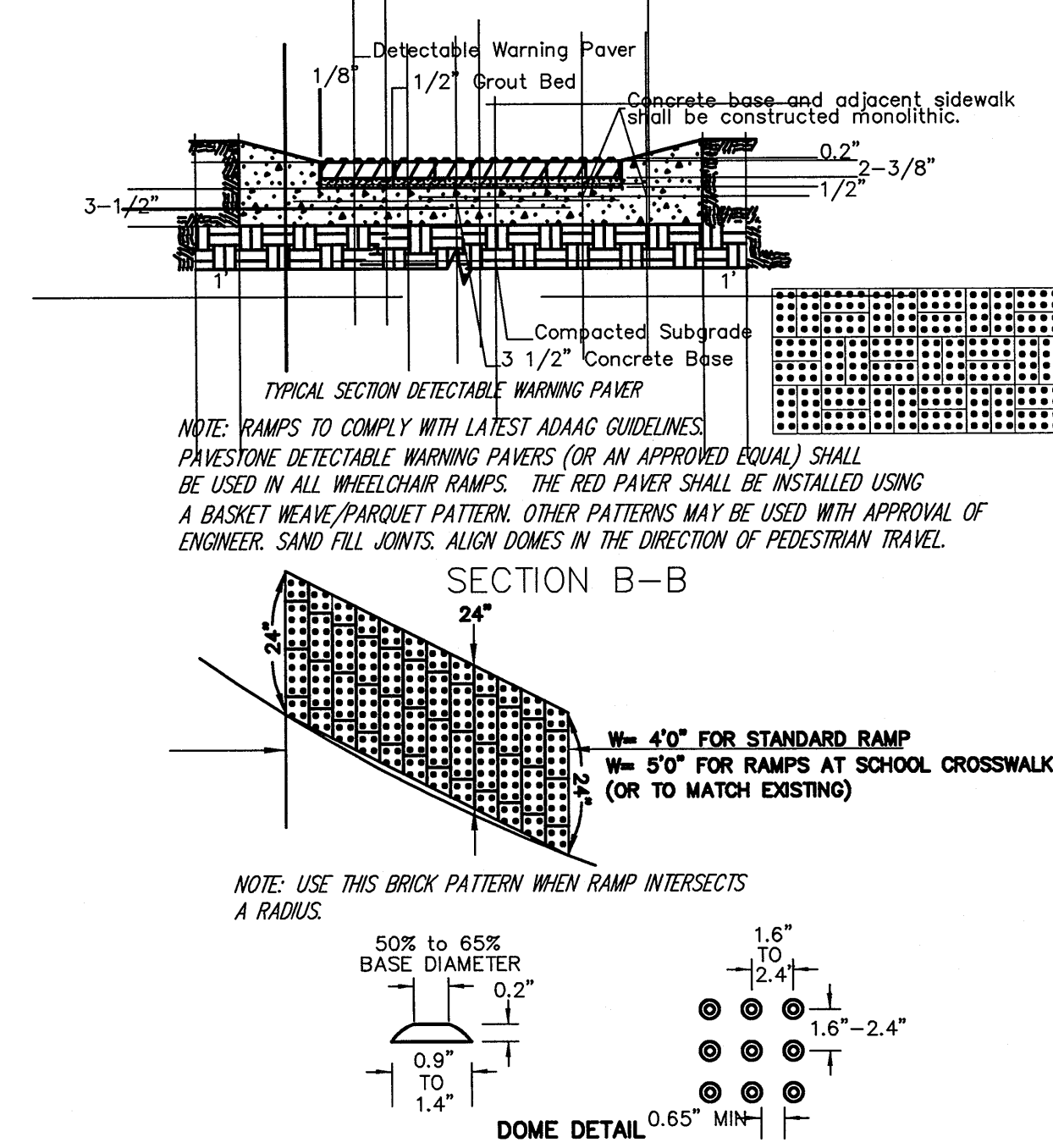
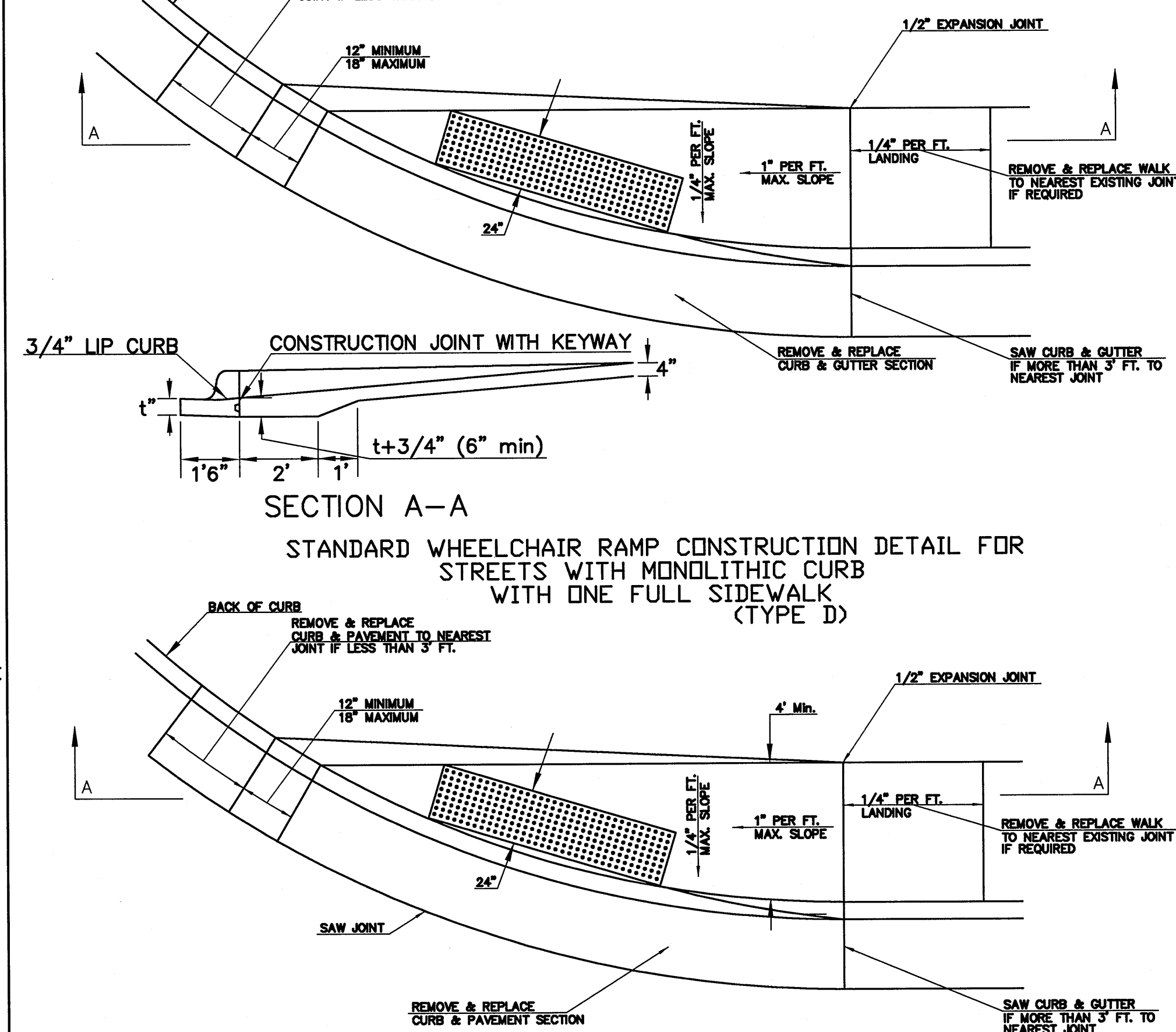
(TYPE C)  
STANDARD WHEELCHAIR RAMP CONSTRUCTION DETAIL FOR  
STREET WITH COMBINED CURB AND GUTTER ON RADIUS  
WITH 6'± FROM BACK OF CURB TO PROPERTY CORNER



(TYPE C)  
STANDARD WHEELCHAIR RAMP CONSTRUCTION DETAIL FOR  
STREET WITH MONOLITHIC CURB ON RADIUS  
WITH 6'± FROM BACK OF CURB TO PROPERTY CORNER



(TYPE D)  
STANDARD WHEELCHAIR RAMP CONSTRUCTION DETAIL FOR  
STREETS WITH COMBINED CURB & GUTTER  
WITH ONE FULL SIDEWALK



WCR WITH DETECTABLE WARNING DW

**WHEELCHAIR RAMP DETAILS**

CITY ENGINEER  
NEIL CABLE, P.E.

PROJECT NUMBER XXX-XXXX	OCA NUMBER XXXXXX	DATE MM
CITY ENGINEER'S OFFICE CITY HALL - SEVENTH FLOOR 455 NORTH MAIN STREET WICHITA, KANSAS 67202-1820 (316) 268-4501 (316) 268-4114 FAX	DESIGN JLA	SHEET P2