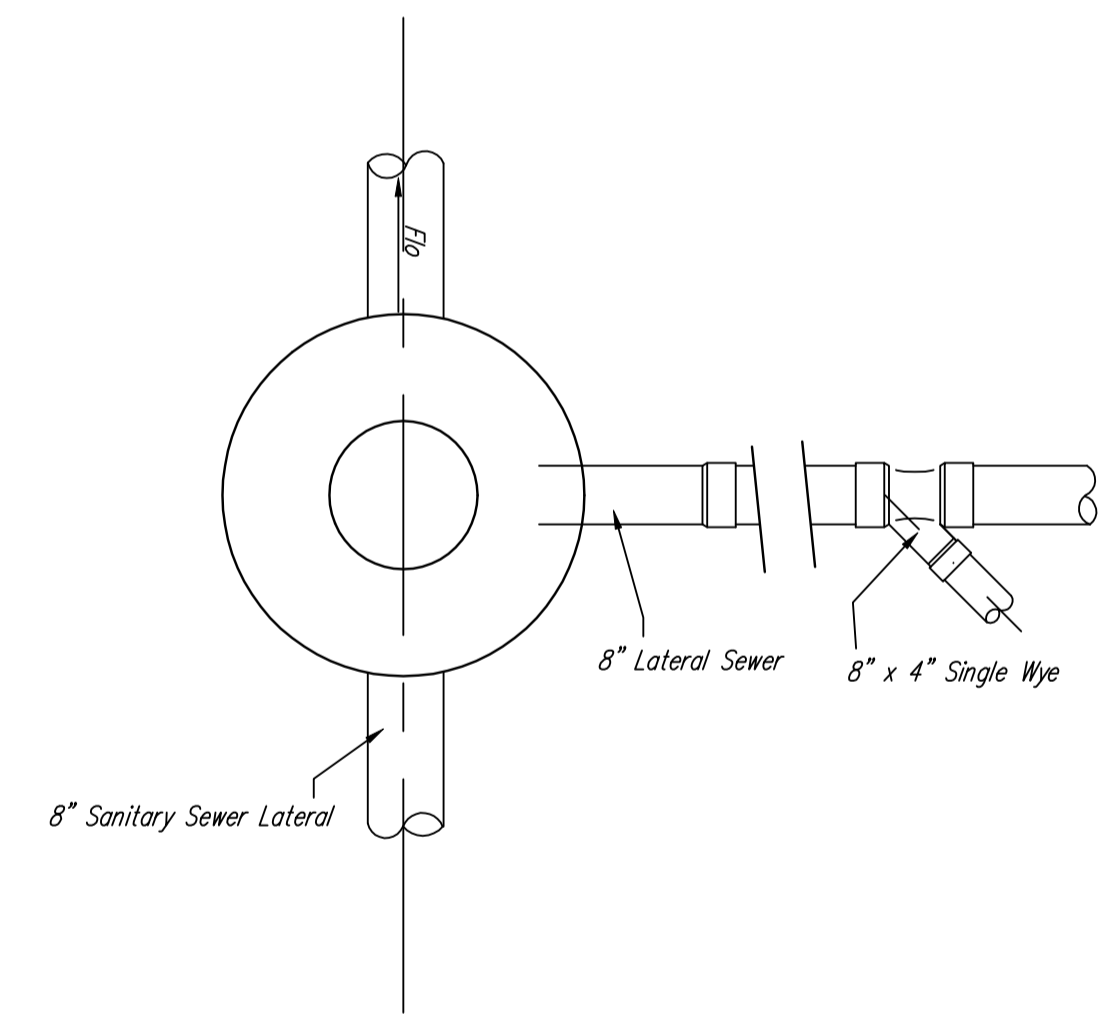
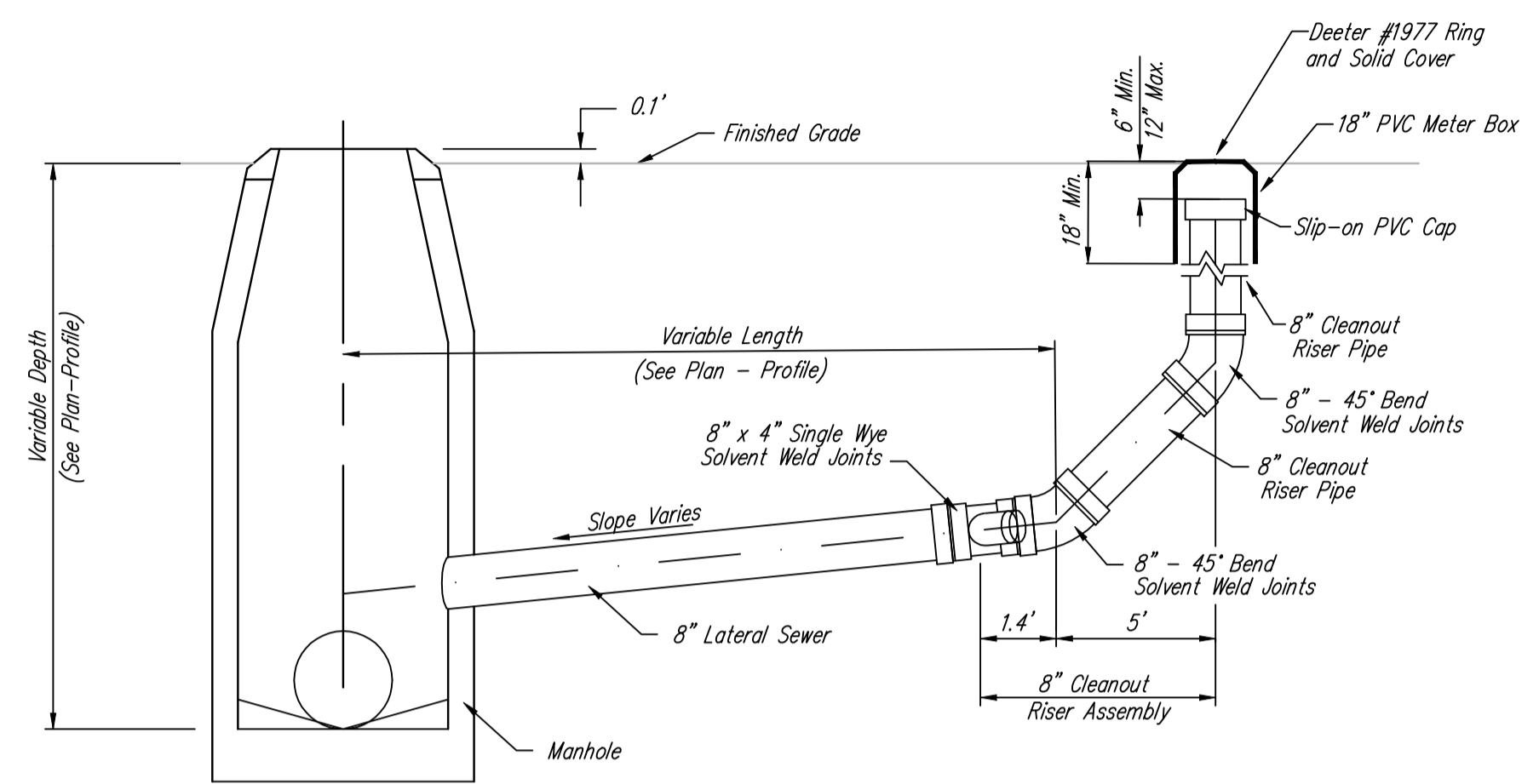



8" CLEANOUT RISER ASSEMBLY DETAIL  
W/ WYE CONNECTION

\* 4" Branch (each side) To Serve as 4" Stub. Temporary Plug Until Service Connection is Required. Single Wye to be Used Where Indicated on Plan.

\*\* 8" Lateral to be Air-Tested up to the Top of PVC Pipe, per Standard Specifications.



8" CLEANOUT RISER ASSEMBLY DETAIL  
W/ MANHOLE CONNECTION

 <b>8" CLEANOUT RISER DETAIL</b> CITY OF WICHITA	
<small>Baughman Company, P.A. 315 Ellis St. Wichita, KS 67211 P 316-262-7271 F 316-262-0149 ENGINEERING   SURVEYING   PLANNING   LANDSCAPE ARCHITECTURE</small>	
PROJECT NUMBER 468-84365	DESIGN C.O.W.
REVISIONS:	DRAWN STAFF
	APPROVED DATE 11/07
	SCALE NONE
	SHEET <b>28 OF 38</b>
<small>VCOR8</small>	