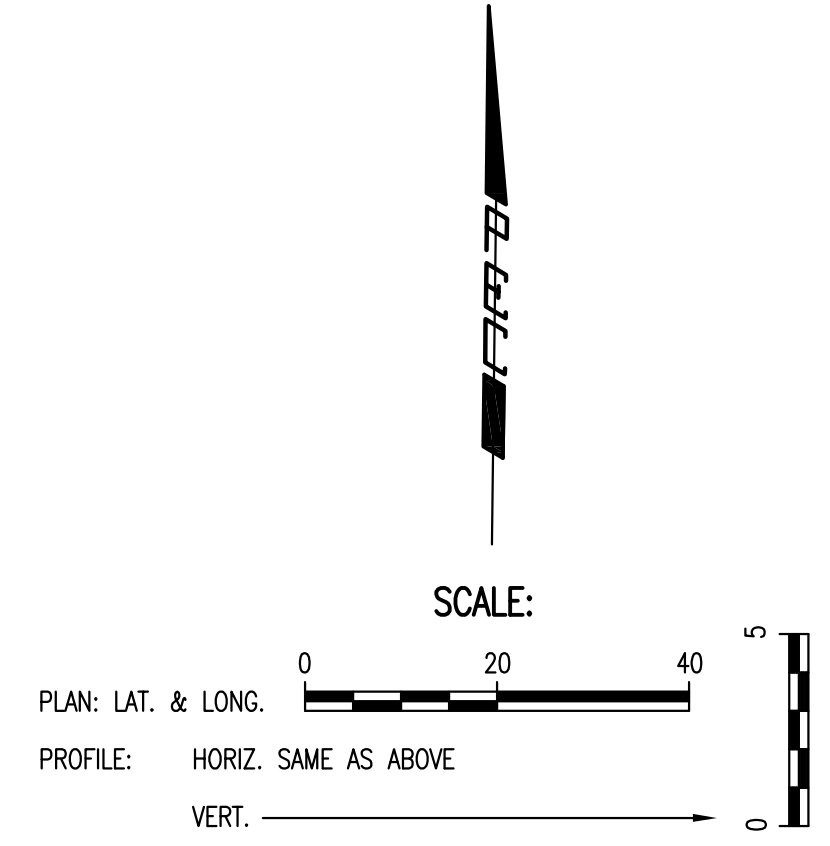
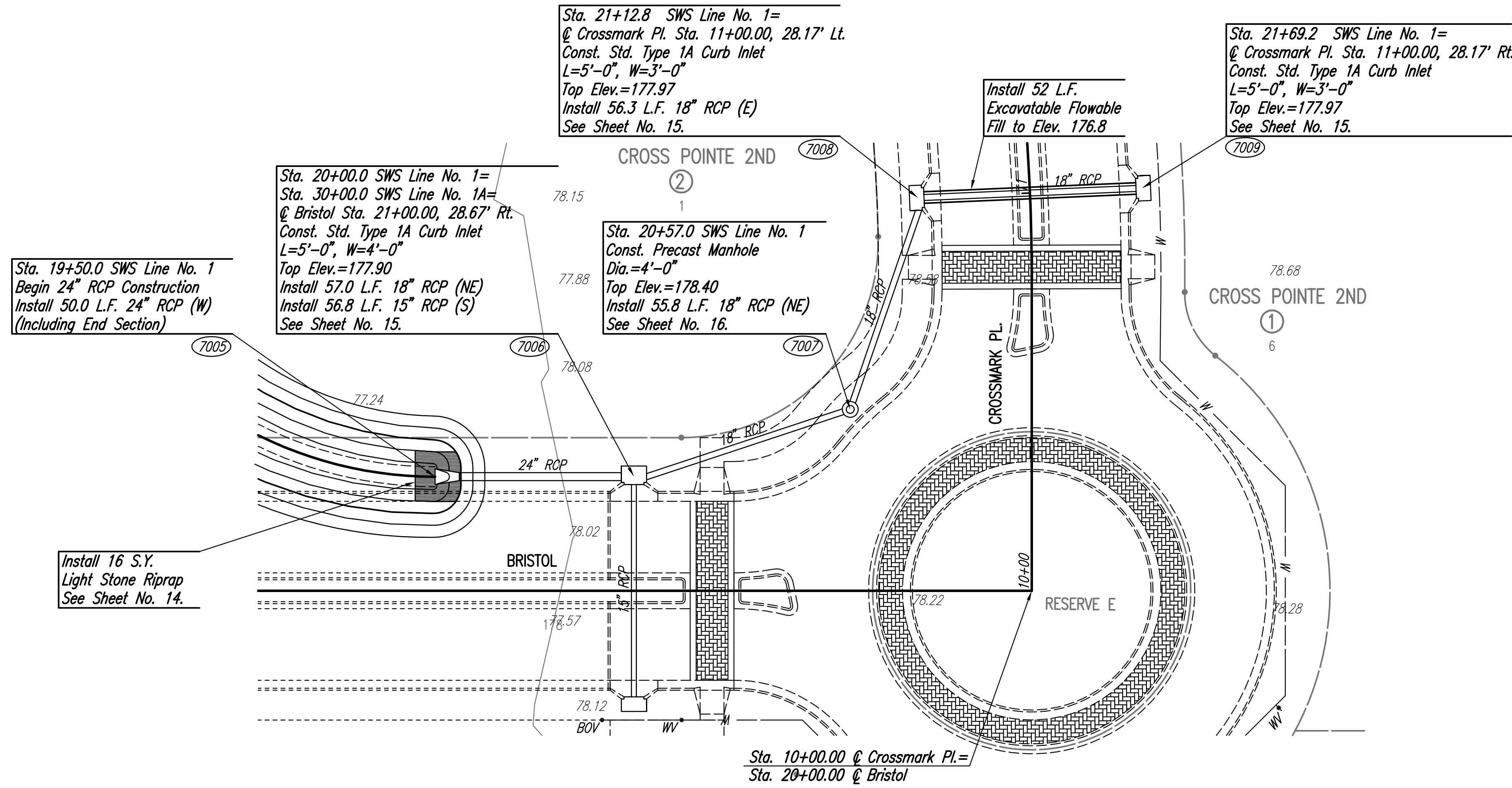


PLAN	CHECKED	DATE
	CHECKED	

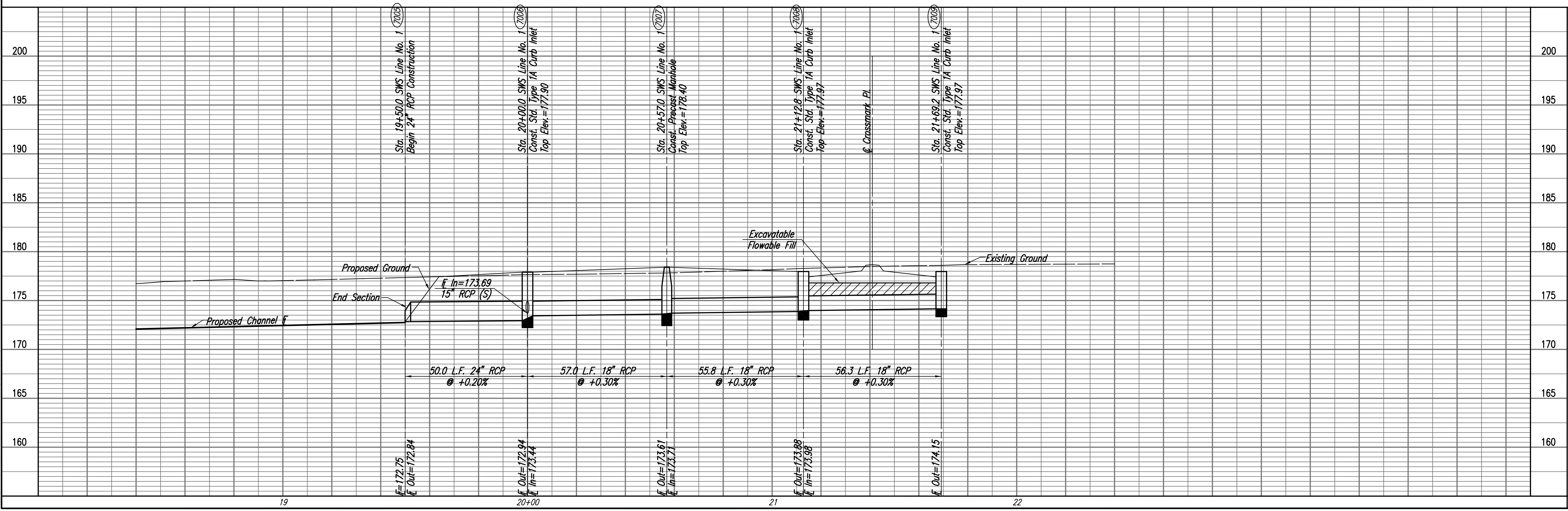
PROFILE	CHECKED	DATE
	CHECKED	

Served 12-13-2007 1:29:02 PM by BMM
 Plot Scale 1:20 12-18-2007 10:37:12 AM by BUS
 J:\SENTOUT\2007\07293\2007-12-18 to City\DWG\13-SWS LINE 1



COORDINATE LIST		
POINT	NORTH	EAST
7005	1,699,152.5264	1,687,849.1369
7006	1,699,153.1585	1,687,899.1329
7007	1,699,170.7683	1,687,953.2962
7008	1,699,224.1748	1,687,969.6816
7009	1,699,227.2931	1,688,025.9285

7005 = COORDINATE POINT NO.



CROSS POINT 2ND ADDITION-PHASE 1
PAVING AND INCIDENTAL DRAINAGE IMPROVEMENTS

SWS LINE NO. 1

JAMES L. ARMOUR, P.E.-CITY ENGINEER
CITY OF WICHITA PROJECT NO. 472-84640

Professional Engineering Consultants, P.A.
 303 S. TORREY WICHITA, KANSAS 67202
 316-262-2091 • FAX 316-262-3003

Designed By: EDB, BMM
 Drawn By: BUS, FAT
 Job No.: 35-07293-000
 Date: October 2007