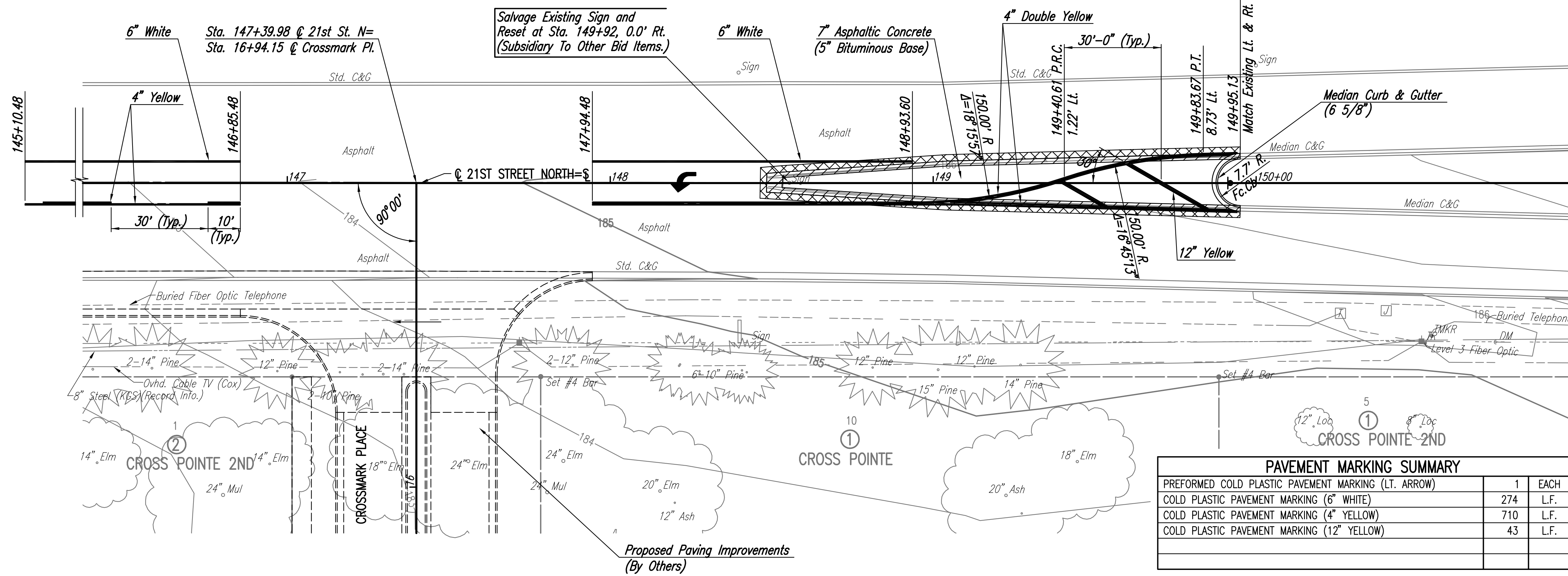


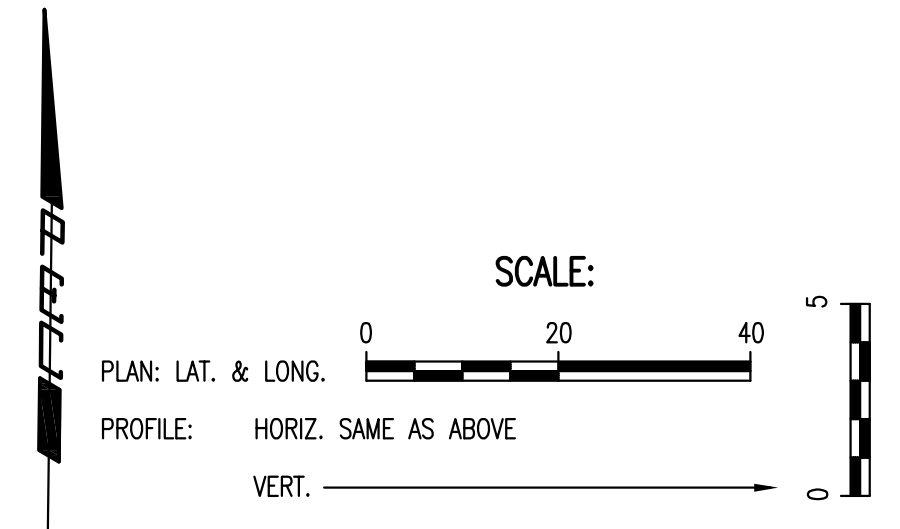
PLAN	CHECKED	DATE
	CHECKED	

PROFILE	CHECKED	DATE
	CHECKED	

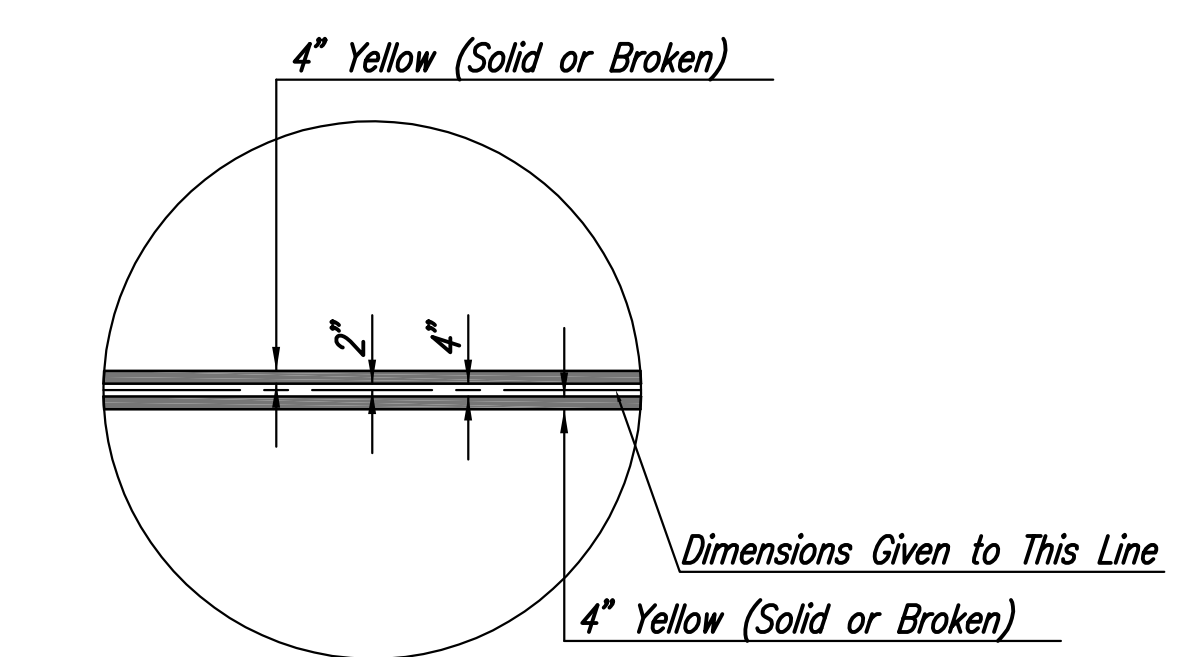
Saved: 12-12-2007 10:58:16 AM by BUS  
 Plot Scale: 1:20 12-18-2007 1:50:31 PM  
 J:\SENTOUT\2007\07293\2007-12-18 to city\03\DWG\05-PAVING AND MARKING PLAN



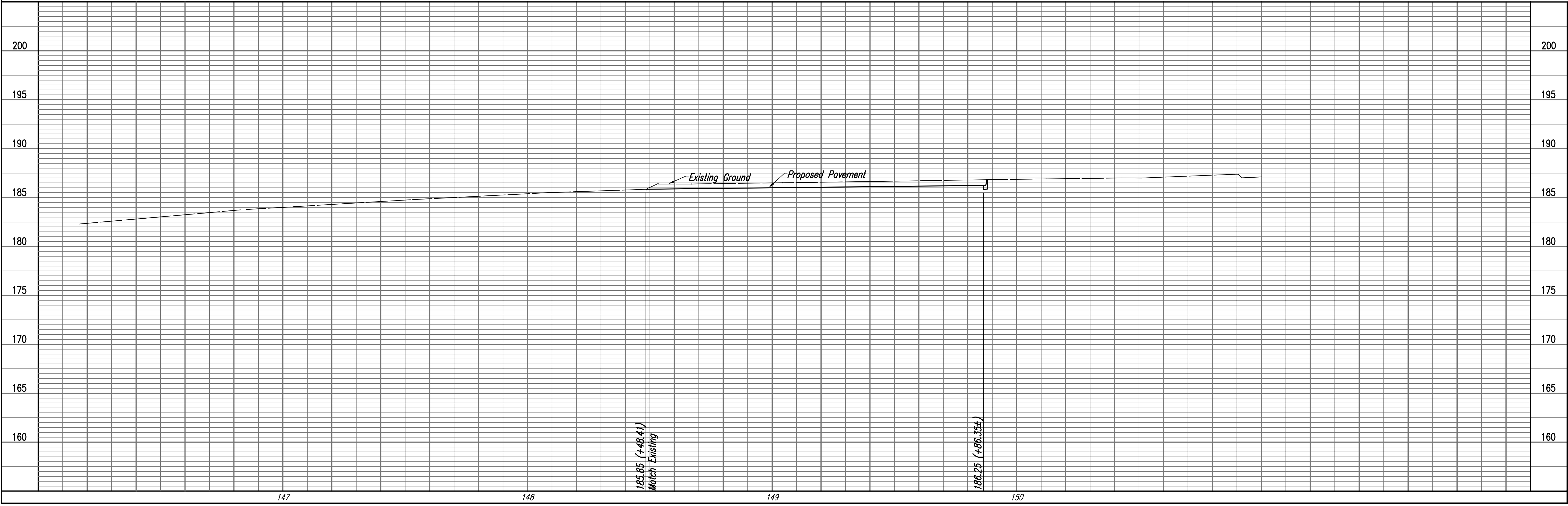
PERFORMED COLD PLASTIC PAVEMENT MARKING (LT. ARROW)	1	EACH
COLD PLASTIC PAVEMENT MARKING (6\"/>		



- Saw Cut, Remove and Replace Surface Course (Subsidiary to 7\"/>
- Remove Median Curb and Gutter
- \* Match Existing



**DETAIL OF DOUBLE YELLOW STRIPING**  
 All single line dimensions to centerline of stripe.  
 All double line dimensions to center of space between stripes. (See Detail.)



**PAVING AND MARKING PLAN**

CROSS POINT 2ND ADDITION-PHASE 1  
21ST ST. N. LEFT TURN LANE

Professional Engineering Consultants, P.A.  
 303 S. TORRENS, WICHITA, KANSAS 67202  
 316-262-2091 • FAX 316-262-3003

Designed By: BMM  
 Drawn By: BUS, FAT

Job No.: 35-07293-003  
 Date: October 2007

James L. Armour, P.E. - CITY ENGINEER  
 CITY OF WICHITA PROJECT NO. 472-84234

Sheet 5 of 9