

STA. 12+64.99 LINE 3
 BL STA. 12+83.76, 25.24' LT.
 REMOVE 6" MJ PLUG AT 4'
 WEST OF EXISTING FH.
 1 - 6" MJ GATE VALVE ASS'Y (N)
 1 - 8" MJ X 6" PE REDUCER (N)
 5.00 L.F. 8" DI GL PIPE

STA 12+69.99 LINE 3
 BL STA 12+88.76, 25.24' LT
 DEFLECT 4'00"00" RT
 32.17 L.F. 8" PIPE

STA 13+02.16 LINE 3
 BL STA 13+20.85, 23.00' LT
 DEFLECT 4'00"00" LT

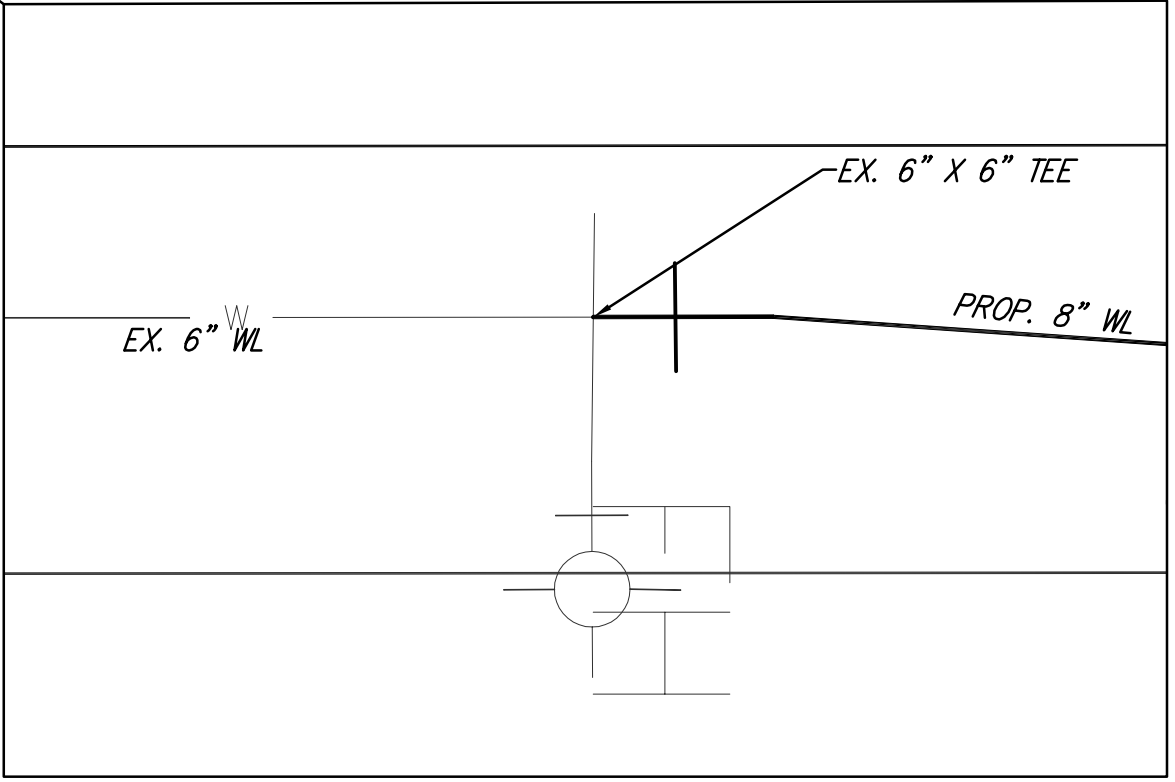
BL STA 16+64.45 SPRUCE =
 BL STA 19+65.43 14TH ST. N.
 15.71 S. OF N. CURB LINE &
 17.56 E. OF THE W. CURB LINE.
 847.84 L.F. 8" PIPE

STA. 16+51.22 CONCRETE ENCASE
 SS PER CITY SPECIFICATIONS.
 REMOVE & REPLACE PVMT. AS
 NECESSARY FOR CONST.
 CAUTION: AT&T UNDERGROUND

STA 21+50.00, LINE 3
 BL STA 21+68.79, 23.00' LT.
 MATCH POINT

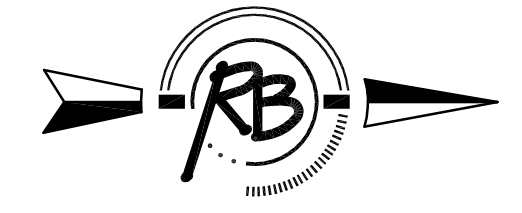
CUT AND KILL 3 - 1" CORPUS
 3.5' EECL & 13' S OF THE N
 PROPERTY LINE.

NEW WATER METER SUMMARY						
No.	BL Station	Lt./Rt.	Service (Long or Short)	Meter Size	Address	AS BUILT
1	13+72.68	Rt.	Long	0.63	1424 N. SPRUCE ST.	
2	14+21.60	Rt.	Long	XX	1438 N. SPRUCE ST.	
3	14+54.90	Lt.	Short	0.63	1443 N. SPRUCE ST.	
4	14+65.69	Rt.	Long	0.63	1444 N. SPRUCE ST.	
5	15+03.08	Lt.	Short	0.63	1447 N. SPRUCE ST.	
6	15+11.45	Rt.	Long	0.63	1448 N. SPRUCE ST.	
7	15+53.74	Lt.	Short	0.63	1451 N. SPRUCE ST.	
8	15+56.83	Rt.	Long	0.63	1452 N. SPRUCE ST.	
9	15+93.31	Lt.	Short	0.63	1457 N. SPRUCE ST.	
10	16+01.61	Rt.	Long	0.63	1456 N. SPRUCE ST.	

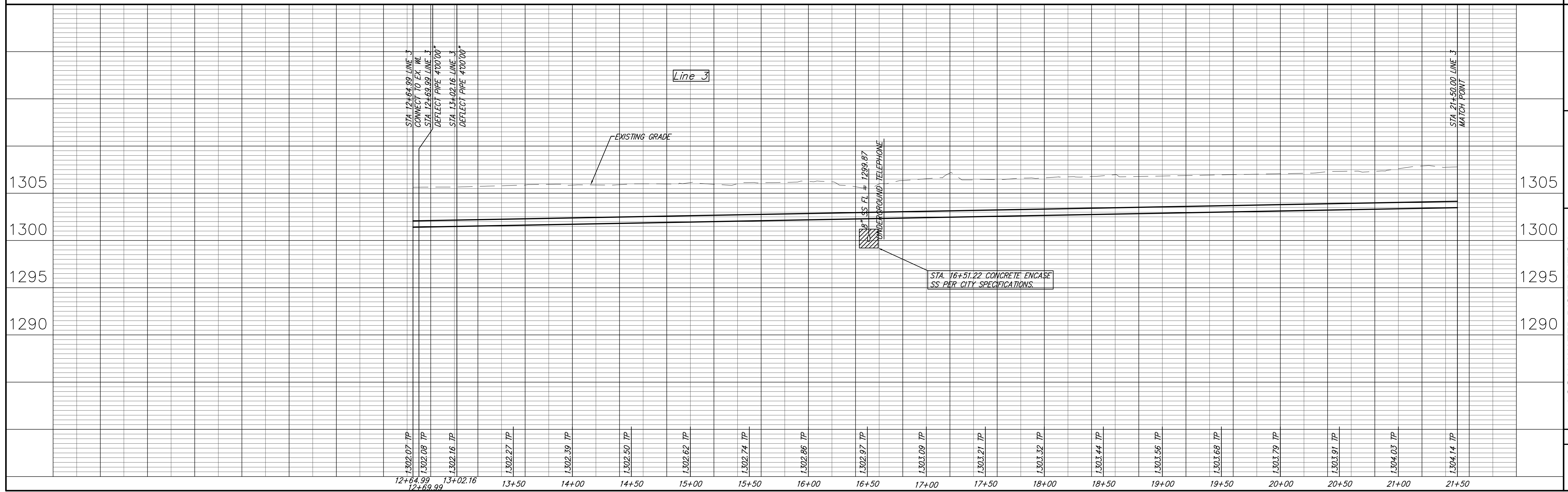


NEW WATER METER SUMMARY						
No.	BL Station	Lt./Rt.	Service (Long or Short)	Meter Size	Address	AS BUILT
11	17+31.77	Lt.	Short	0.63	1502 N. SPRUCE ST.	
12	17+39.09	Rt.	Long	0.63	1507 N. SPRUCE ST.	
13	17+67.91	Rt.	Long	0.63	1508 N. SPRUCE ST.	
14	17+80.79	Lt.	Short	0.63	1511 N. SPRUCE ST.	
15	18+09.79	Rt.	Long	0.63	1512 N. SPRUCE ST.	
16	18+31.00	Lt.	Short	0.63	1517 N. SPRUCE ST.	
17	18+62.65	Rt.	Long	0.63	1518 N. SPRUCE ST.	
18	18+81.59	Lt.	Short	XX	1522 N. SPRUCE ST.	
19	19+23.01	Rt.	Long	XX	1523 N. SPRUCE ST.	
20	19+48.93	Rt.	Long	XX	1527 N. SPRUCE ST.	
21	19+54.06	Lt.	Short	0.63	1528 N. SPRUCE ST.	
22	19+76.81	Rt.	Long	0.63	1534 N. SPRUCE ST.	
23	20+16.57	Rt.	Long	0.63	1535 N. SPRUCE ST.	
24	20+47.81	Lt.	Short	0.63	1538 N. SPRUCE ST.	
25	20+61.50	Rt.	Long	0.63	1538 N. SPRUCE ST.	
26	21+59.46	Rt.	Long	0.63	1538 N. SPRUCE ST.	

BENCHMARK #1:
 1/2" PIPE @ CL 14TH AND SPRUCE
 ELEV. = 1305.62 NGVD



SCALE 1" = 40'
 1" = 5' (VERT.)



STA 12+64.99 LINE 3
 CONNECT TO EX. WL
 STA 12+69.99 LINE 3
 DEFLECT PIPE 4'00"00"
 STA 13+02.16 LINE 3
 DEFLECT PIPE 4'00"00"

STA. 16+51.22 CONCRETE ENCASE
 SS PER CITY SPECIFICATIONS.

STA 21+50.00 LINE 3
 MATCH POINT

1302.07 TP	1302.08 TP	1302.16 TP	1302.27 TP	1302.39 TP	1302.50 TP	1302.62 TP	1302.74 TP	1302.86 TP	1302.97 TP	1303.09 TP	1303.21 TP	1303.32 TP	1303.44 TP	1303.56 TP	1303.68 TP	1303.79 TP	1303.91 TP	1304.03 TP	1304.14 TP
12+64.99	12+69.99	13+02.16	13+50	14+00	14+50	15+00	15+50	16+00	16+50	17+00	17+50	18+00	18+50	19+00	19+50	20+00	20+50	21+00	21+50

RB
 Ruggles & Bohm, P.A.
 Engineering, Surveying, Land Planning
 900 Main St., Suite 200
 Wichita, Kansas 67203
 (316) 264-4600
 www.ruggles.com

PROJECT NUMBER
 448-90210
 DESIGN
 PC
 UTILITY
 DRAWING FILE
 ENG. BASE LINE 3A3

RB JOB
 2969W
 SHEET
 30

REVISION
 DATE
 REVIEW
 Dec. 19, 2006

LOGAN WATER DISTRIBUTION
 SPRUCE STREET (LINE 3)
 WICHITA, KANSAS