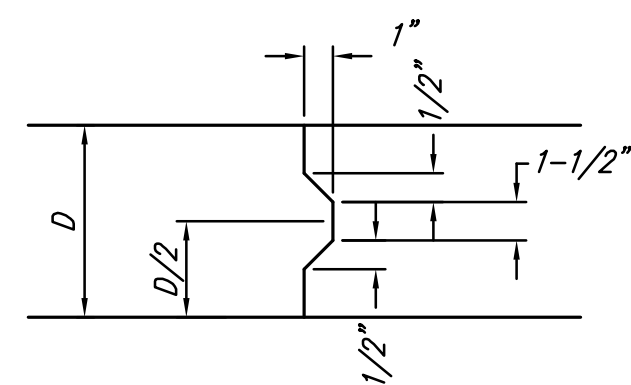
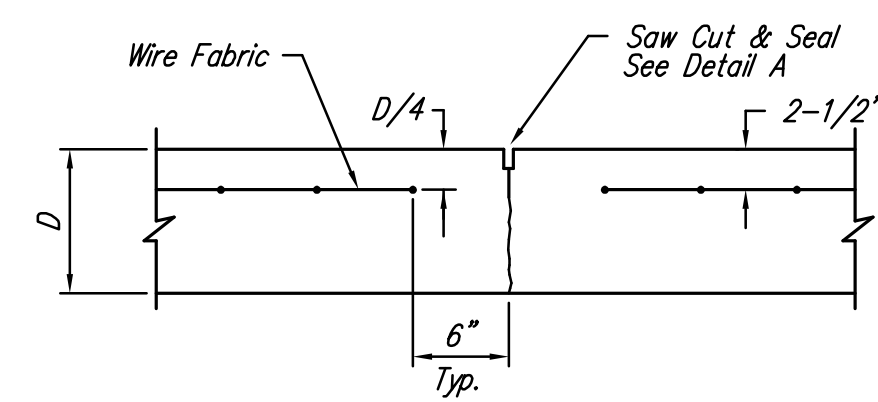


EXPANSION JOINT

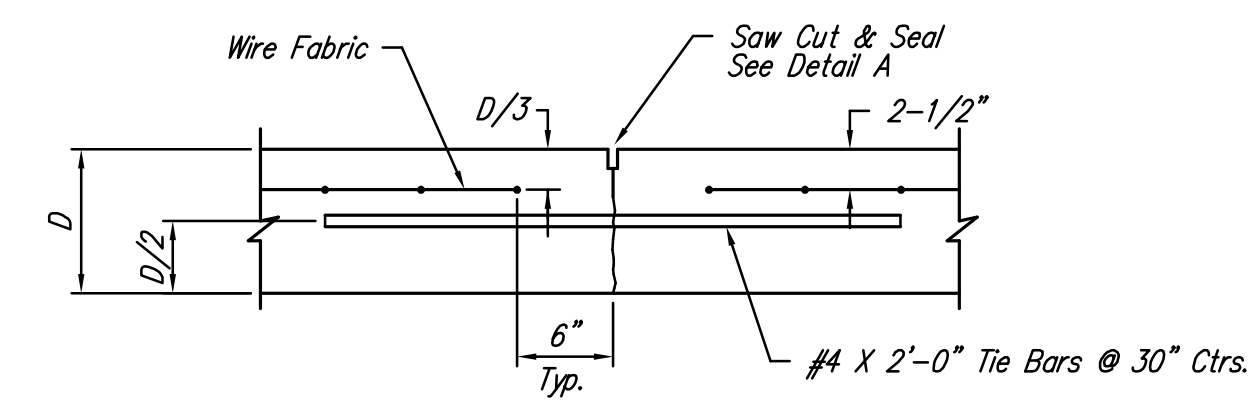
NOTE: Extra Thickness to be Subsidiary to Price of Square Yards Pavement



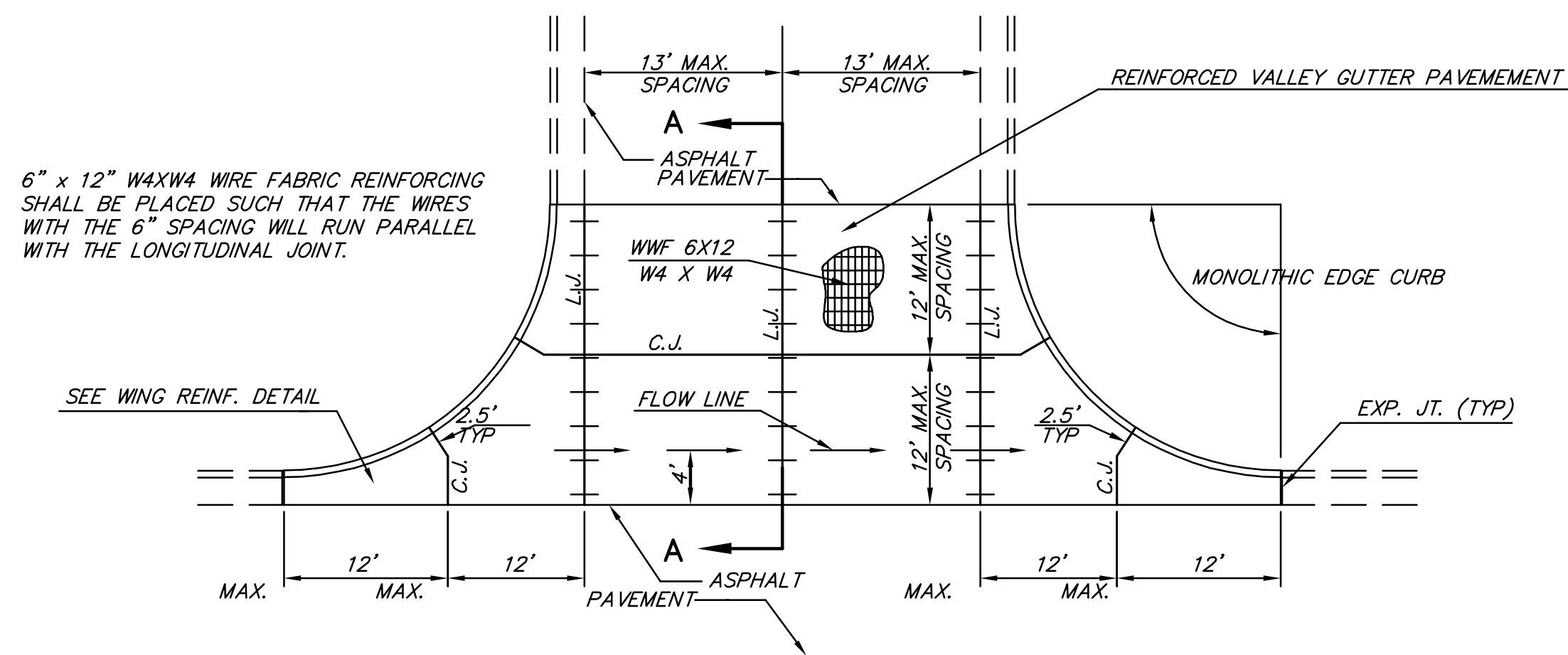
KEYWAY DETAIL



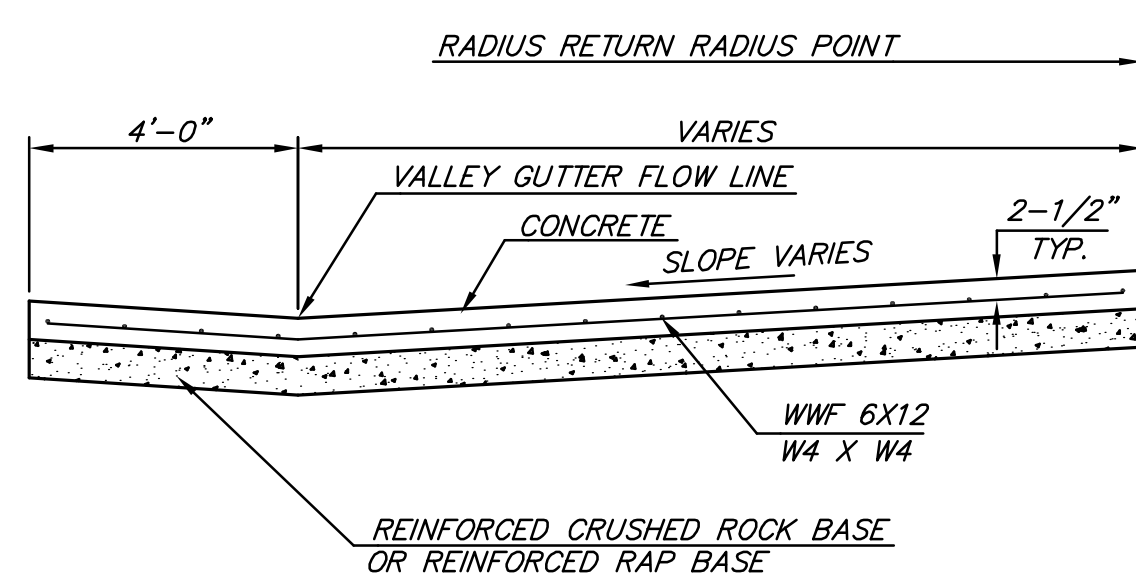
CONTRACTION JOINT DETAIL (C.J.)



LONGITUDINAL JOINT DETAIL (L.J.)

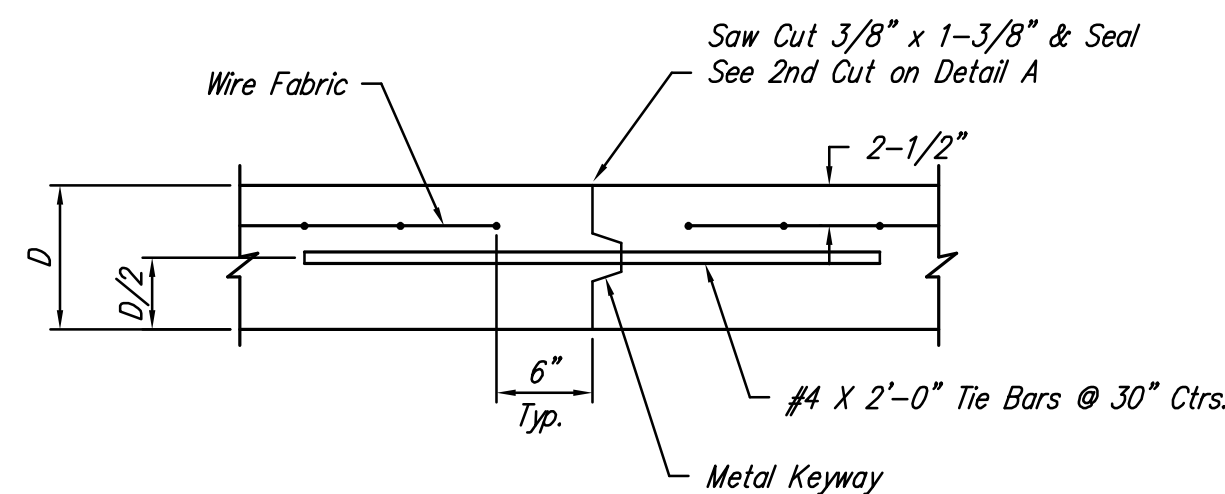


PLAN

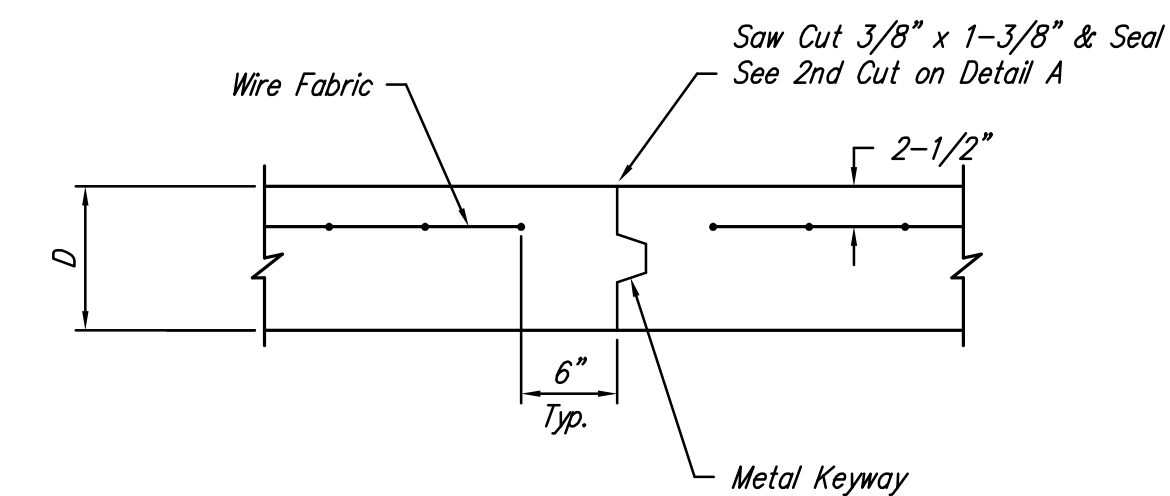


SECTION A-A

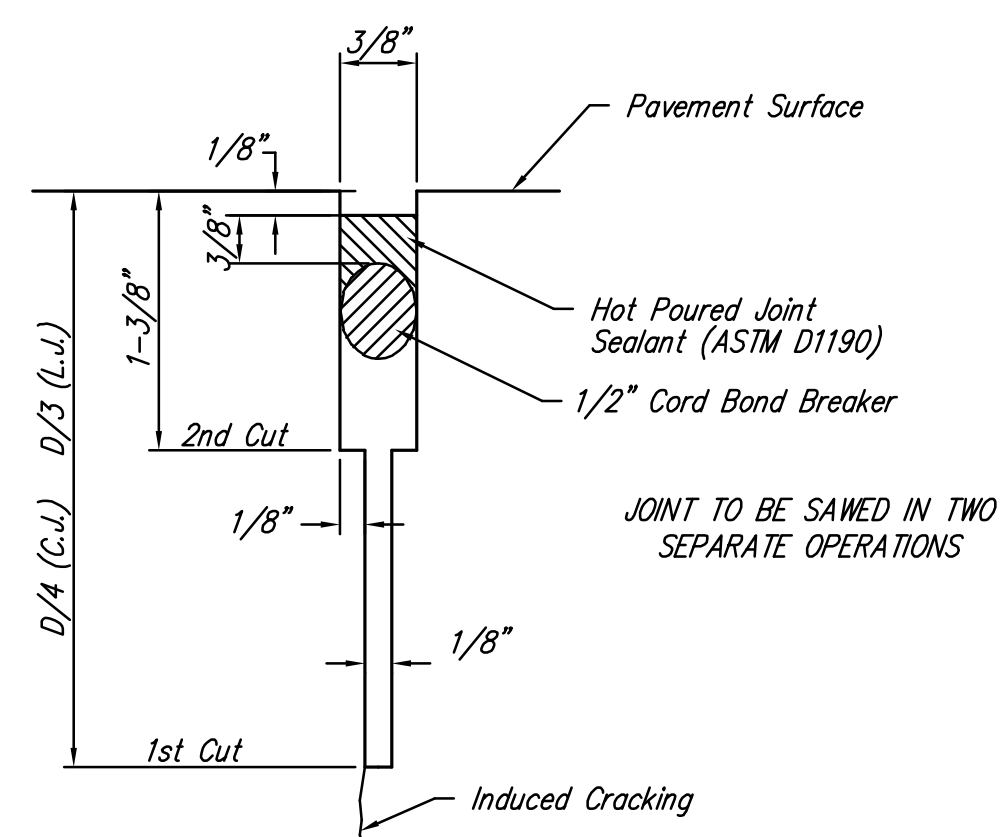
REINFORCED VALLEY GUTTER DETAIL



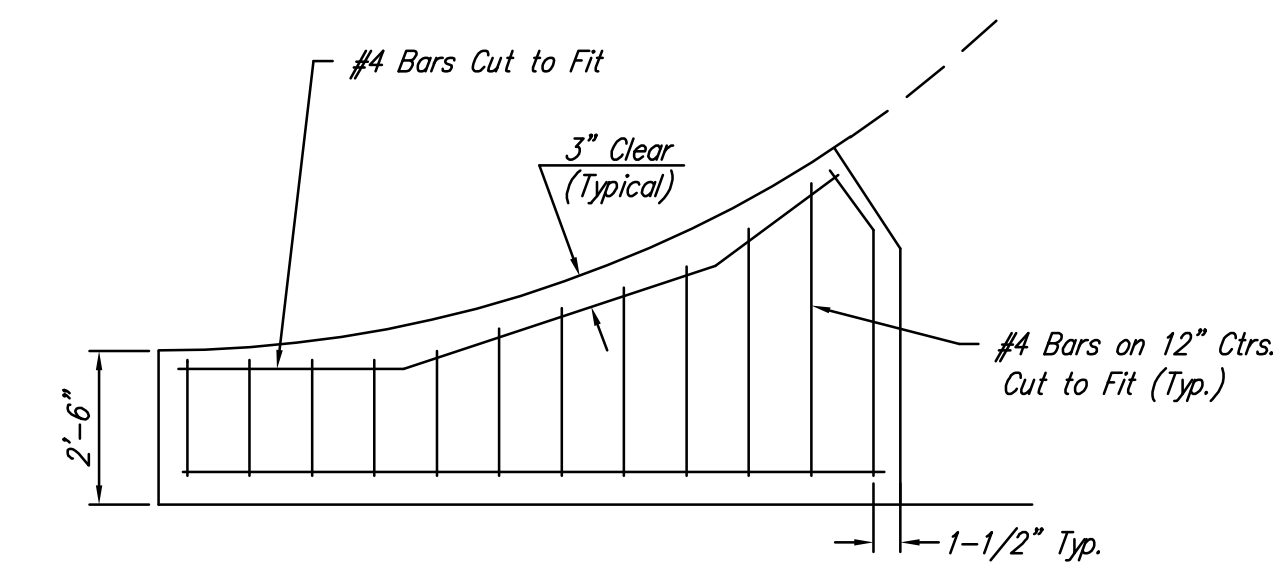
OPTIONAL LONGITUDINAL JOINT DETAIL (L.J.)



OPTIONAL CONTRACTION JOINT



SAW JOINT DETAIL



WING REINFORCING DETAIL

<p>THE CITY OF WICHITA</p>	VALLEY GUTTER DETAILS	
	JAMES L. ARMOUR, P.E. - CITY ENGINEER	
	PROJECT NUMBER 472-84645	OCA NUMBER 766190
	DATE Jan 08	Sheet 3 of 24

CITY ENGINEER'S OFFICE
CITY HALL - SEVENTH FLOOR
455 NORTH MAIN STREET
WICHITA, KANSAS 67202
(316) 268-4501
(316) 268-4114 FAX

J:\CIVIL\062665\DWG\PAV\RESIDENTIAL\TURN LANES\06266_ED2.DWG