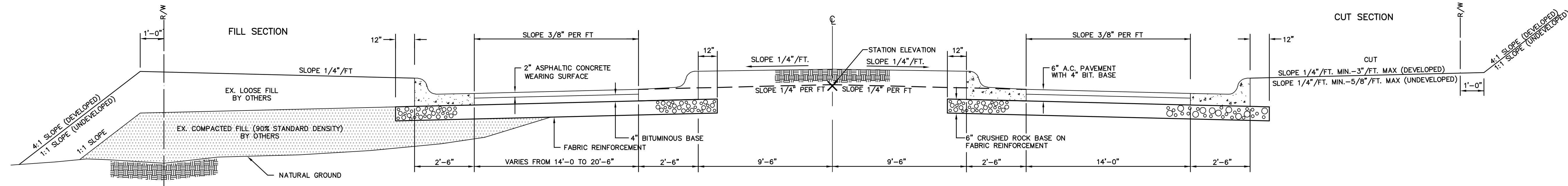
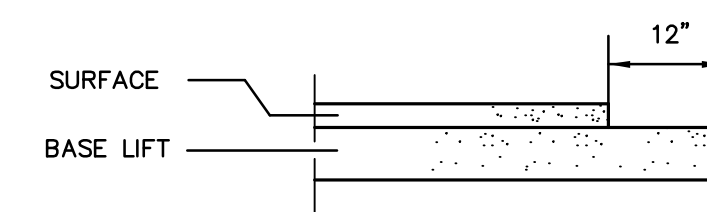
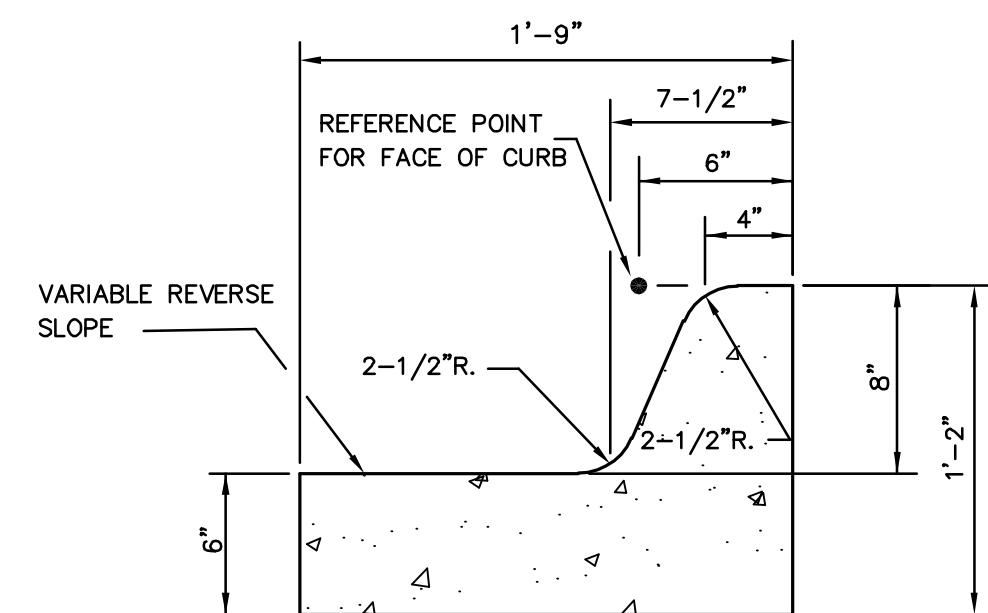
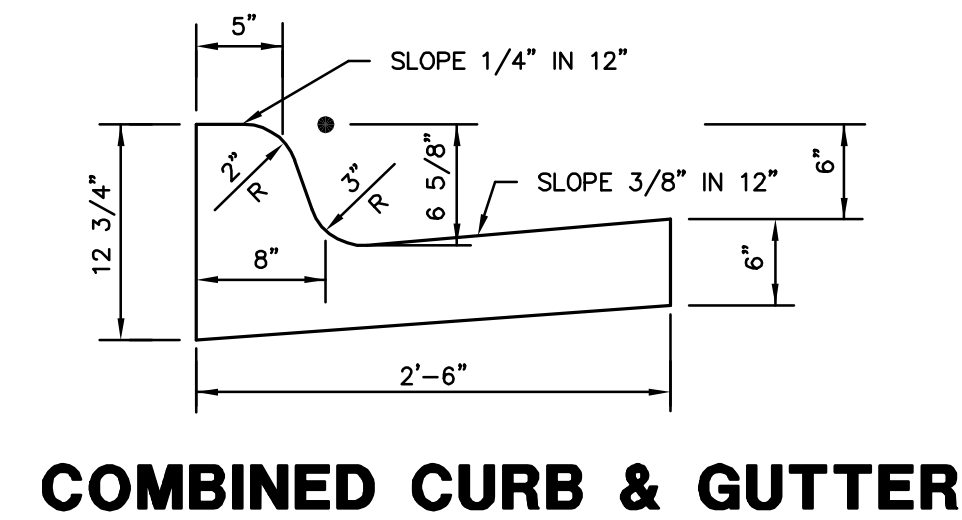
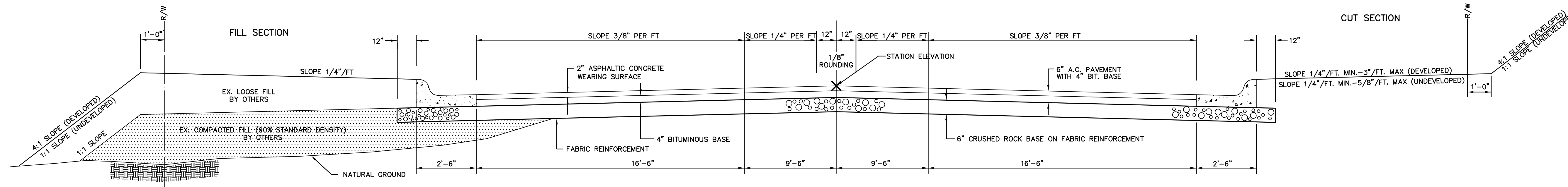


**TYPICAL SECTION WITH MEDIAN
TRANSVERSE SECTIONS**



**TYPICAL SECTION WITHOUT MEDIAN
TRANSVERSE SECTIONS**



TRANSVERSE CONSTRUCTION JOINTS SHALL BE CONSTRUCTED IN FLEXIBLE BASE PAVEMENTS AT LOCATIONS WHERE PAVEMENT JOINS EXISTING FLEXIBLE BASE PAVEMENT AS SHOWN BY THE DETAIL. ALL COSTS ASSOCIATED WITH THE CONSTRUCTION OF THE TRANSVERSE JOINT SHALL BE INCLUDED IN THE BID PRICE FOR SQUARE YARDS 6" ASPHALTIC CONCRETE (4" BITUMINOUS BASE).

TRANSVERSE CONSTRUCTION JOINTS

**PAVING AND INCIDENTAL DRAINAGE PLANS FOR
THE WATERFRONT RESIDENTIAL ADD.
ENTRY PHASE**

**PAVING
SECTION
DETAILS**

SHEET TITLE
472-84598
PROJECT NUMBER

DESIGN BY: DFL
DRAWN BY: DMU
CHECKED BY: GJA

ISSUED: January 2008
REVISED:

SHEET NO.
2 of 23

6 INCH ASPHALTIC CONCRETE PAVEMENT
WITH 6" CRUSHED ROCK BASE ON FABRIC
REINFORCEMENT.

CITY OF WICHITA, KANSAS