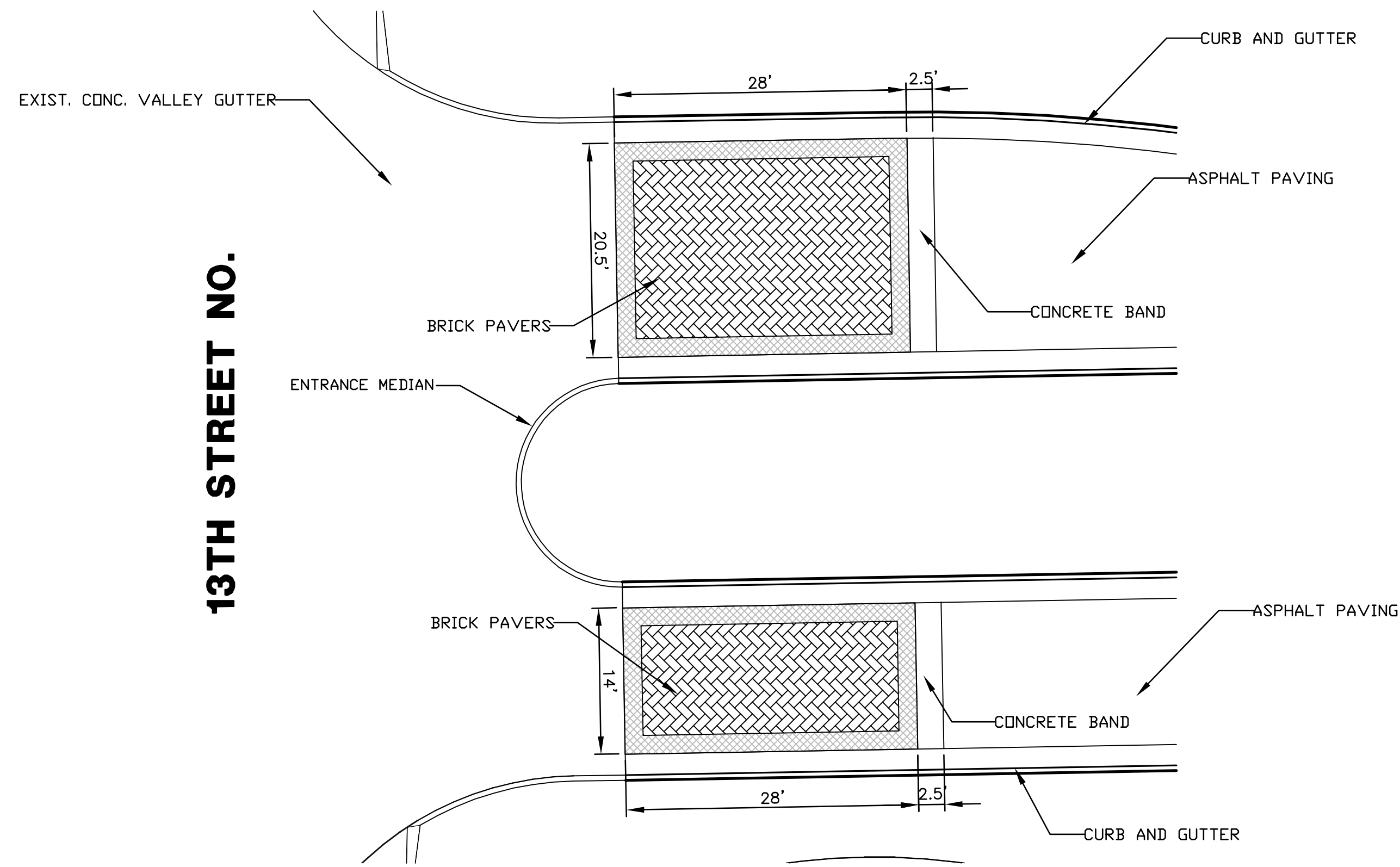


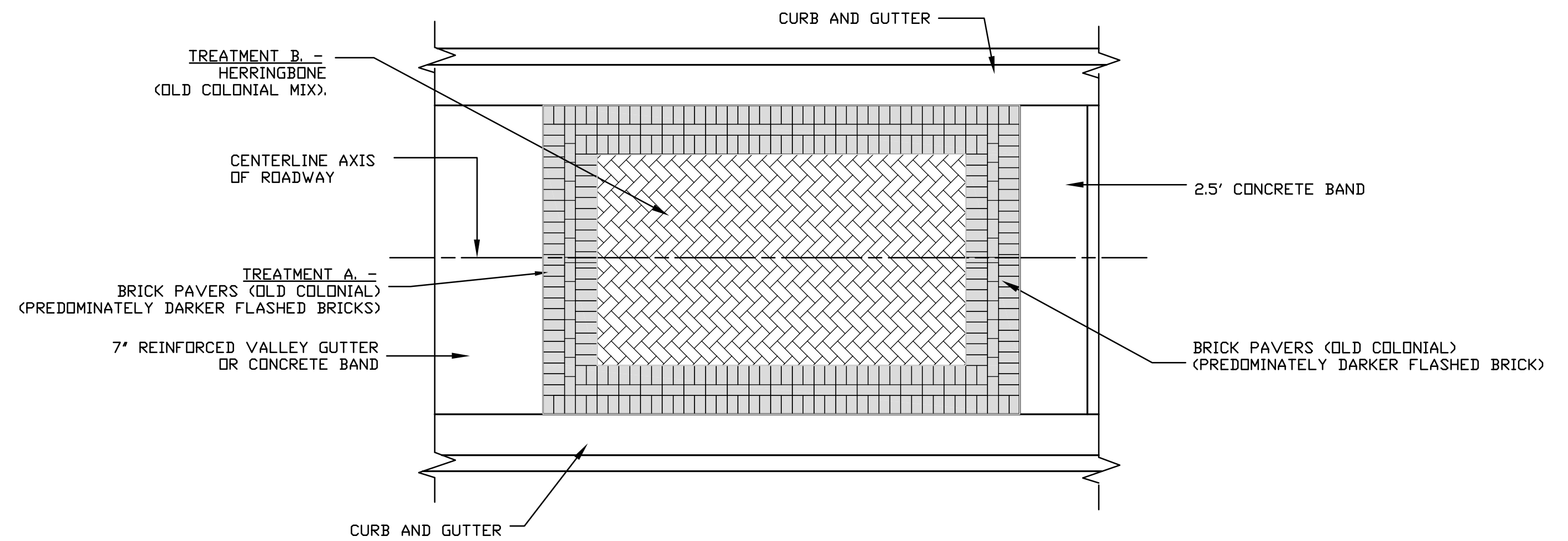
ENTRANCE CLAY PAVER PAVEMENT DETAILS



ENTRANCE PAVING

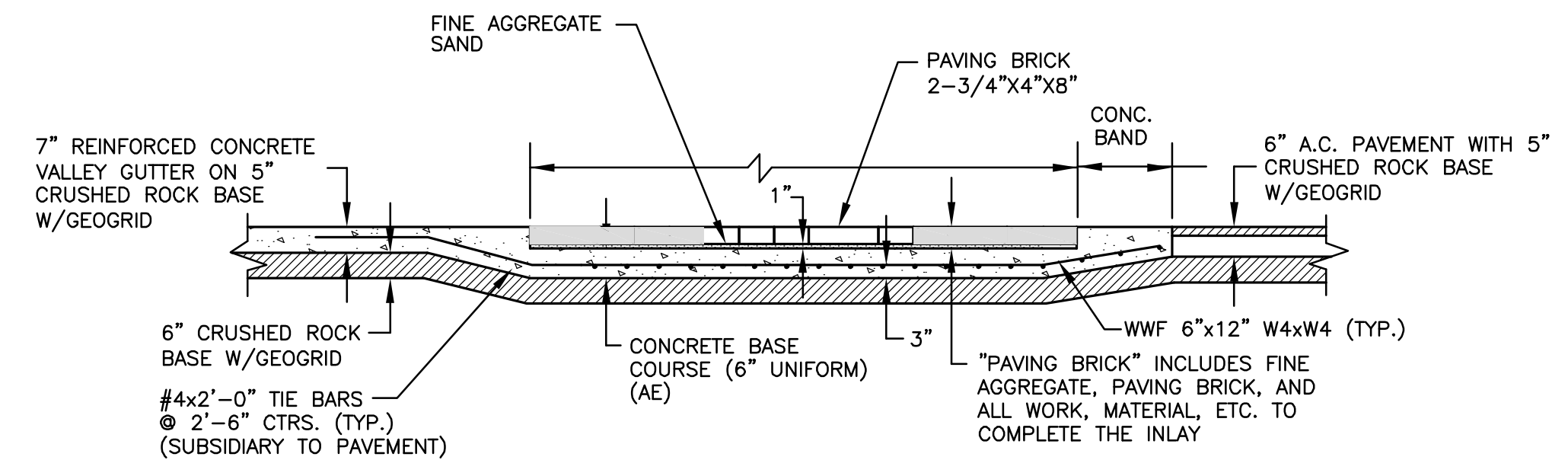
SCALE: NONE

13TH STREET NO.



PAVING SECTION DETAIL

SCALE: NONE



LONGITUDINAL BRICK PAVER SECTION

SCALE: NONE

NOTES: 1. CLAY BRICK PAVERS SHALL BE 2-3/4"x4"x8", AND MEET OR EXCEED ASTM C-902. COMPRESSIVE STRENGTH SHALL BE 8,000 PSI MINIMUM, AND HAVE MAXIMUM ABSORPTION OF 5%. PAYMENT SHALL BE AT THE CONTRACT BID PRICE PER SQUARE YARD FOR "PAVING BRICK".

2. CONCRETE BASE COURSE SHALL BE BID AS "CONCRETE PAVEMENT (6" UNIFORM) (AE)". CONC. BAND AND ADDITIONAL CONCRETE THICKNESS IN TRANSITION TO APRON AND IN THICKENED C&G SHALL BE SUBSIDIARY TO "CONCRETE BASE (6" UNIFORM) (AE)".

3. ADDITIONAL FORM WORK FOR CONSTRUCTION OF THE CONCRETE PAVER WILL BE SUBSIDIARY TO THE BID ITEM "PAVING BRICK".

4. SAND BEDDING SHALL MEET KDOT STANDARDS FOR FINE AGGREGATE. AN UNCOMPACTED SAND LAYING COURSE SHALL BE SPREAD EVENLY OVER THE AREA TO BE PAVED AND THEN SCREEDED TO A LEVEL OF APPROXIMATELY 1" THICKNESS. ONCE SCREEDED AND LEVELED TO THE DESIRED ELEVATION, THE SAND LAYING COURSE SHALL NOT BE DISTURBED IN ANY WAY.

5. PAVER COLORS SHALL BE RANDOMLY PLACED WITH SMALL GROUPINGS OF LIKE COLORS.

6. BLOCKS SHALL BE PLACED WITH THE CHAMFERED SIDE UP, AND JOINT SPACES KEPT UNIFORM APPROXIMATELY 1/8" THICK. THE GAPS AT THE EDGE OF THE PAVED SURFACE SHALL BE FILLED WITH PAVING BLOCKS CUT TO FIT. CUTTING SHALL BE ACCOMPLISHED TO LEAVE A CLEAN EDGE TOWARD THE TRAFFIC SURFACE, USING A MASONRY SAW. WHENEVER POSSIBLE, NO CUTS SHOULD RESULT WITH A PAVER LESS THAN ONE-THIRD OF ITS ORIGINAL DIMENSION. INDIVIDUAL PAVERS ARE TO BE PLACED IN THE PATTERN SHOWN (REFER TO DETAIL "PAVING PLAN A").

7. PAVING BRICK SHALL BE VIBRATED TO THEIR FINAL LEVEL IN THE SAND LAYING COURSE BY TWO OR THREE PASSES OF A VIBRATING COMPACTOR CAPABLE OF 3000 TO 5000 POUNDS COMPACTION FORCE WITH THE SURFACE CLEAN AND JOINTS OPEN.

8. AFTER VIBRATION, CLEAN CONCRETE SAND SHALL BE SPREAD OVER THE PAVING STONE SURFACE, ALLOWED TO DRY, AND VIBRATED INTO THE JOINTS WITH ADDITIONAL PASSES OF THE PLATE VIBRATOR SO AS TO COMPLETELY FILL THE JOINTS. A LIGHT COATING OF SAND SHALL BE SWEEPED OVER THE COMPLETED SURFACE AND LEFT TO WEATHER IN.

9. A SAND LAYER SHALL BE MAINTAINED OVER PAVER SURFACES DURING ADJACENT ASPHALT CONSTRUCTION, AND REMAIN FOR A MINIMUM OF THIRTY DAYS AFTER ASPHALT SURFACES HAVE BEEN COMPLETED.

BRICK PAVER SCHEDULE

MANUFACTURER	STYLE	COLOR	MIX
KANSAS BRICK & TILE	TUMBLED	30 SERIES	40%
KANSAS BRICK & TILE	TUMBLED	30 SERIES FLASHED (OLD COLONIAL)	60%

NOTE: BRICK PAVERS ARE AVAILABLE THROUGH LUSCO BRICK AND STONE (PH# 316) 262-0406)

PAVING AND INCIDENTAL DRAINAGE PLANS FOR
THE WATERFRONT RESIDENTIAL ADD.
ENTRY PHASE

PAVER DETAILS

SHEET TITLE
472-84598
PROJECT NUMBER

DESIGN BY: *DMU*
DRAWN BY: *ABC*
CHECKED BY: *GJA*

ISSUED
January 2008

REVISED

SHEET NO.
3 of 23