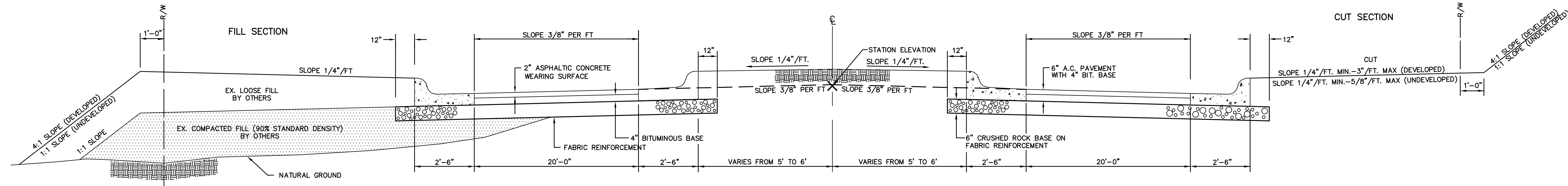
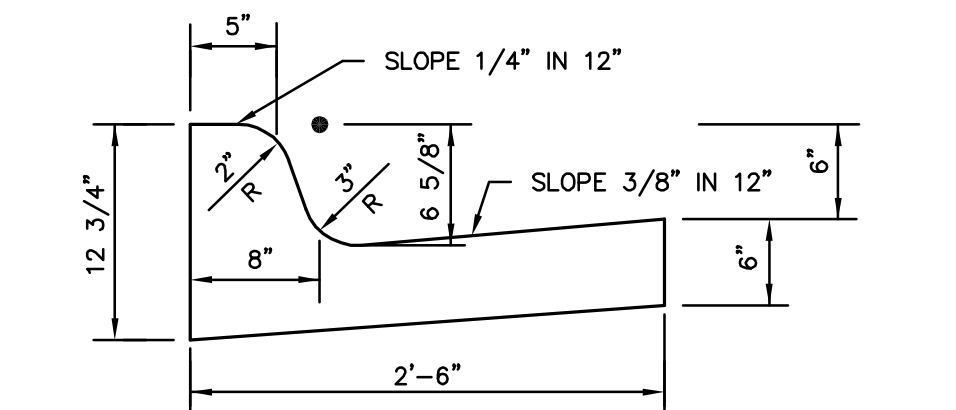
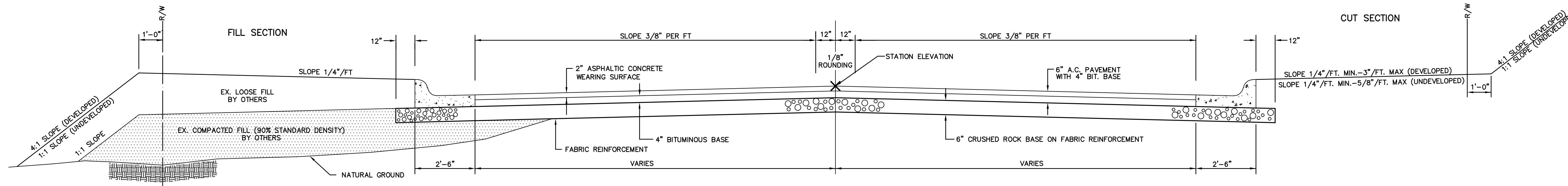


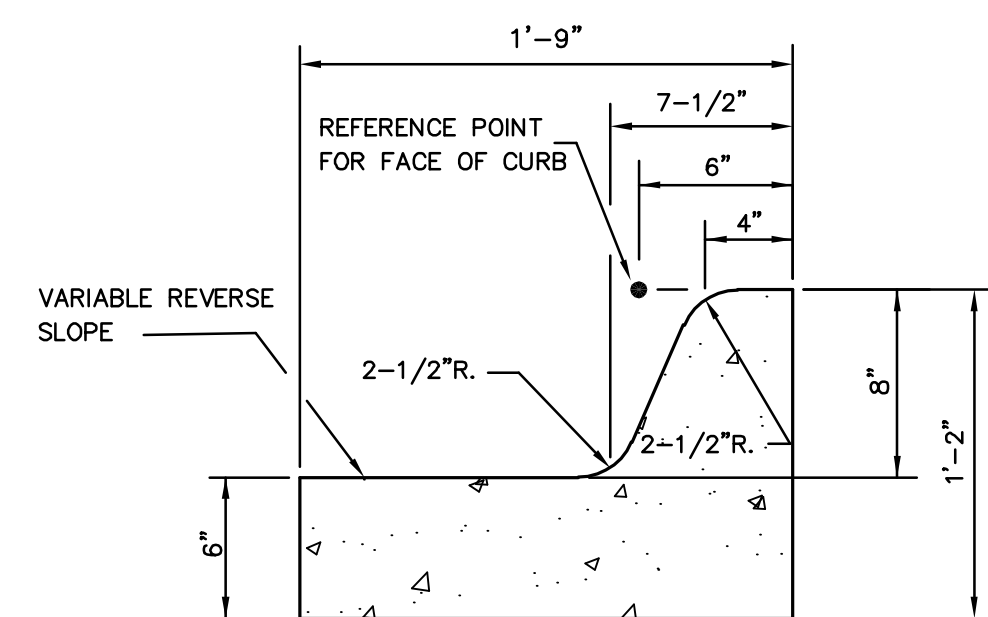
TYPICAL SECTION WITH MEDIAN TRANSVERSE SECTIONS



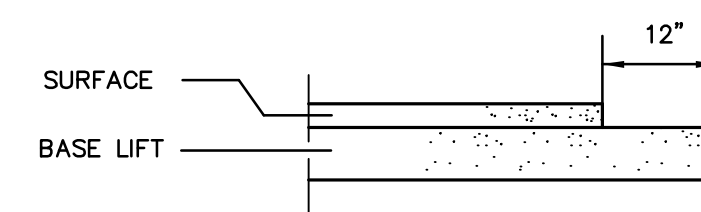
TYPICAL SECTION WITHOUT MEDIAN TRANSVERSE SECTIONS



COMBINED CURB & GUTTER



**NON MOUNTABLE MEDIAN
COMBINED CURB & GUTTER (8')**



TRANSVERSE CONSTRUCTION JOINTS SHALL BE CONSTRUCTED IN FLEXIBLE BASE PAVEMENTS AT LOCATIONS WHERE PAVEMENT JOINS EXISTING FLEXIBLE BASE PAVEMENT AS SHOWN BY THE DETAIL. ALL COSTS ASSOCIATED WITH THE CONSTRUCTION OF THE TRANSVERSE JOINT SHALL BE INCLUDED IN THE BID PRICE FOR SQUARE YARDS 6\"/>

TRANSVERSE CONSTRUCTION JOINTS

PAVING & INCIDENTAL DRAINAGE
GREENWICH OFFICE PARK ADD.
PHASE 1 - PART A

PAVING SECTION DETAILS

SHEET TITLE
472-84644
PROJECT NUMBER

DESIGN BY *DFL*
DRAWN BY *KKL*
CHECKED BY *GJA*

ISSUED
January 2008
REVISED

SHEET NO.
2 of 22

6 INCH ASPHALTIC CONCRETE PAVEMENT WITH 6\"/>

CITY OF WICHITA, KANSAS