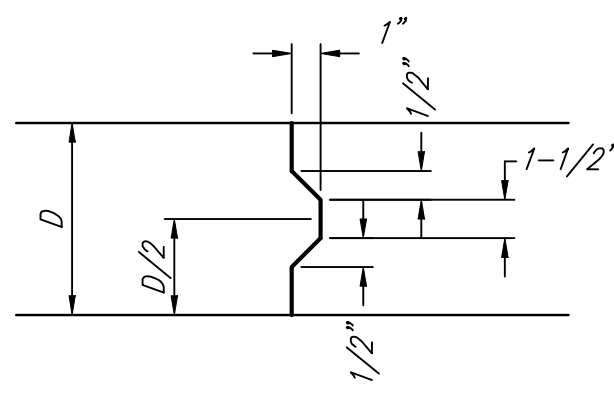
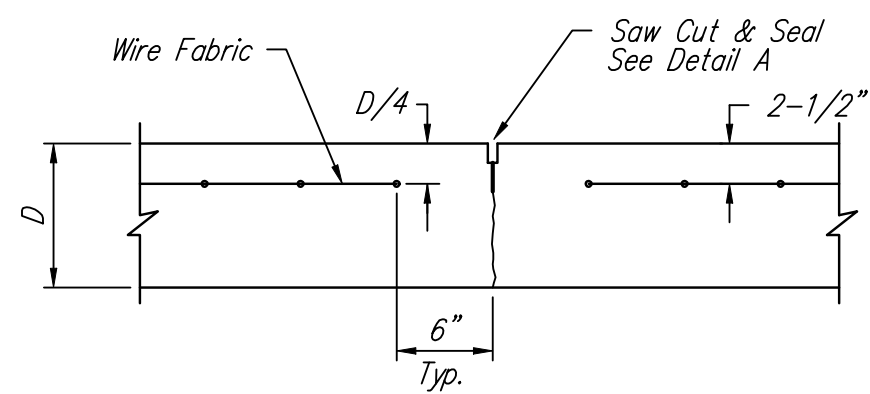


EXPANSION JOINT

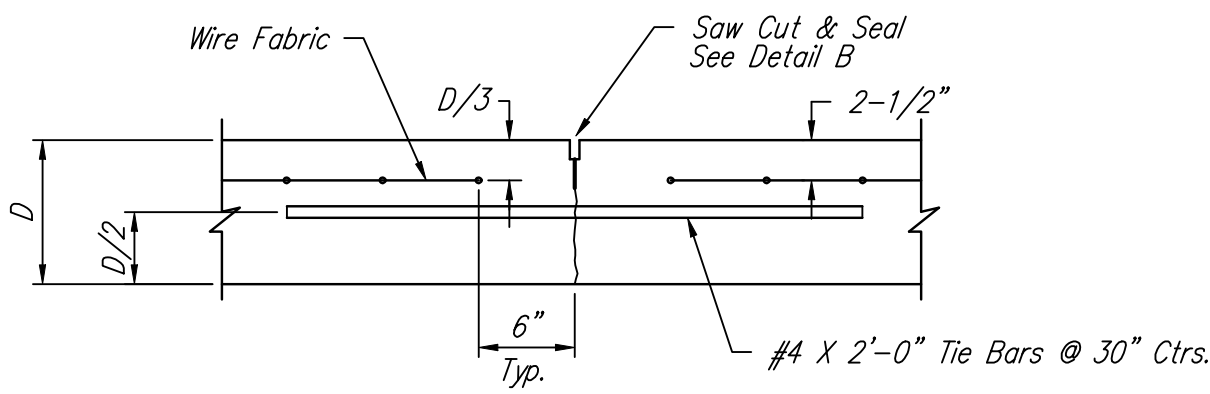
NOTE: Extra Thickness to be Subsidiary to Price of Square Yards Pavement



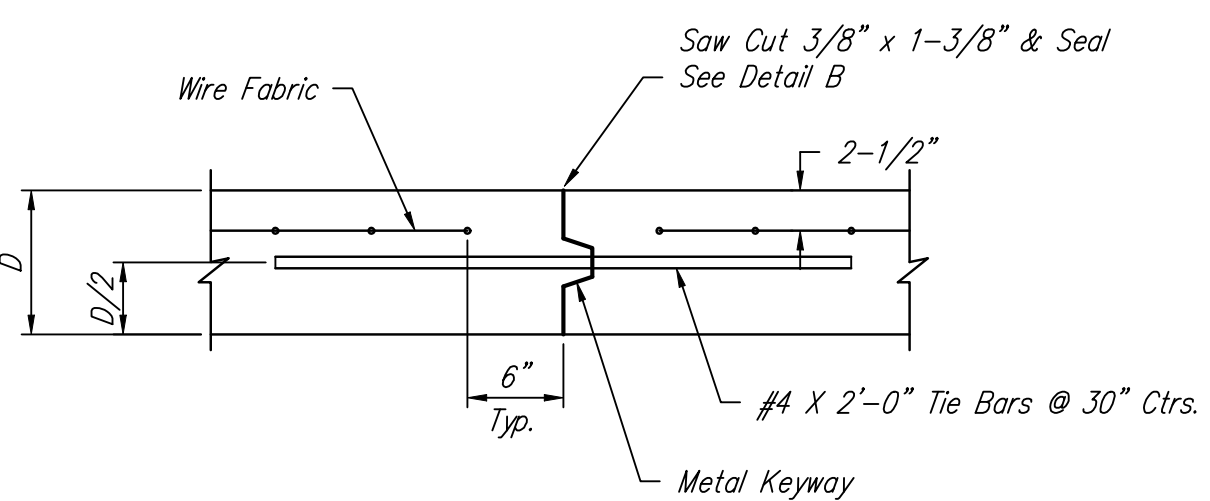
KEYWAY DETAIL



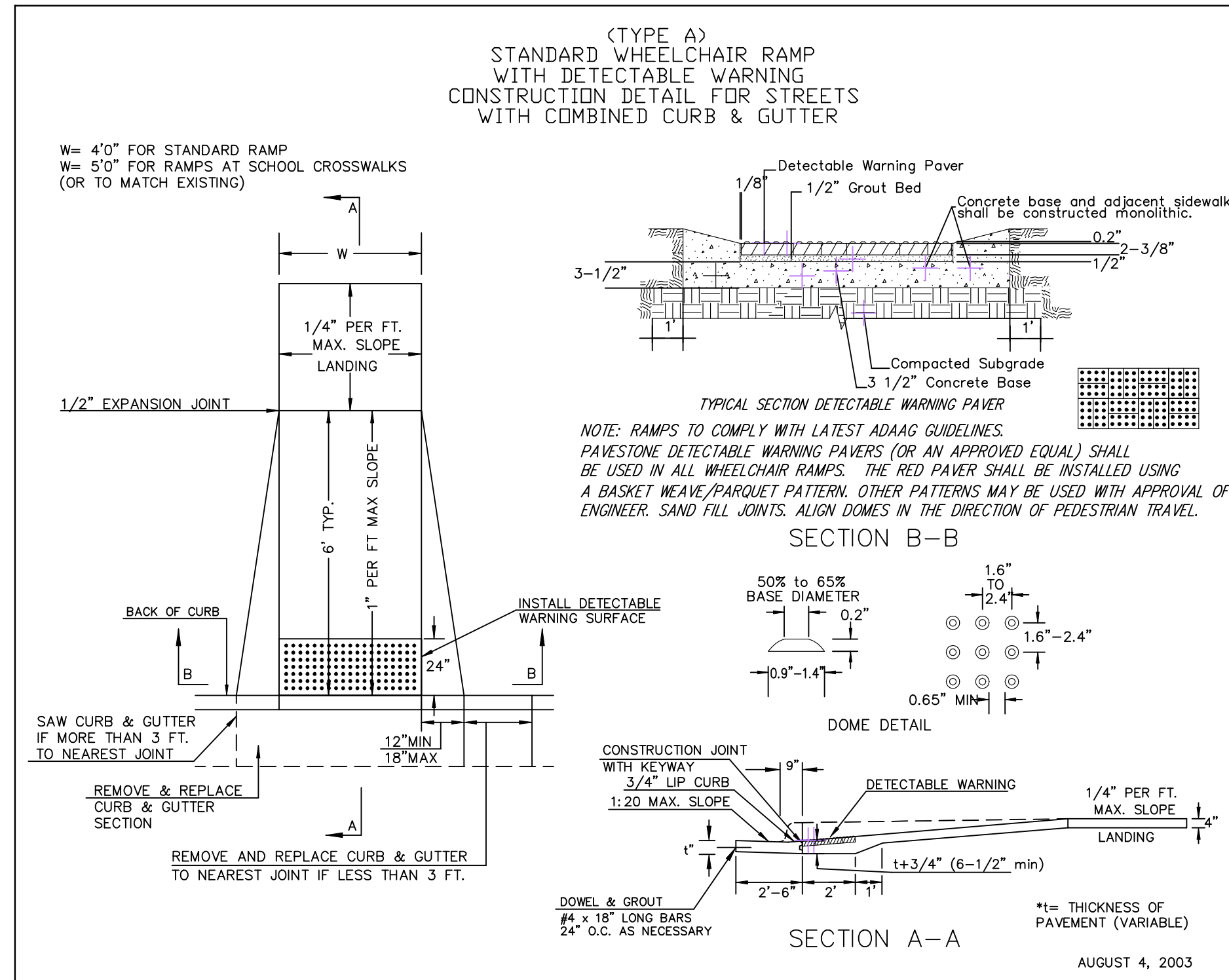
CONTRACTION JOINT DETAIL (C.J.)



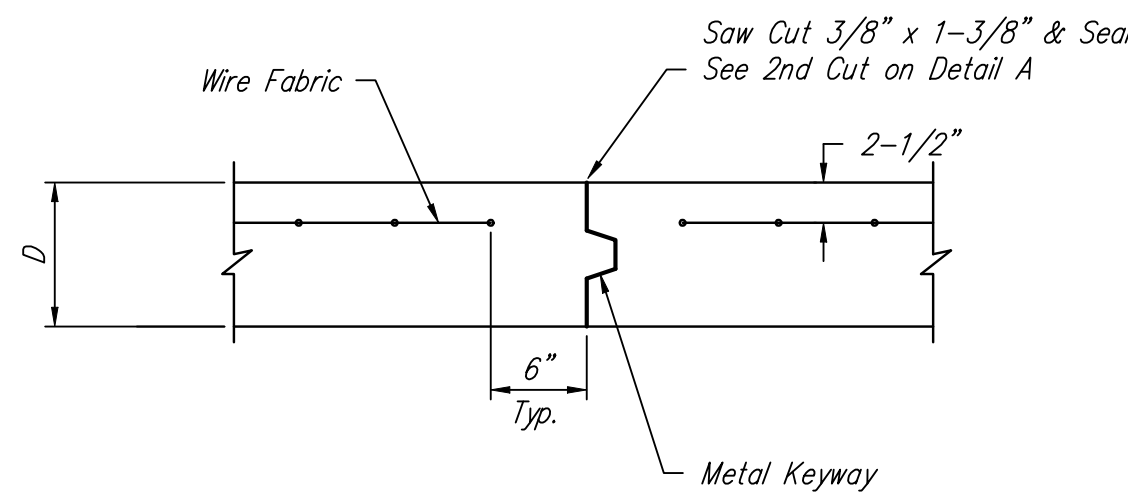
LONGITUDINAL JOINT DETAIL (L.J.)



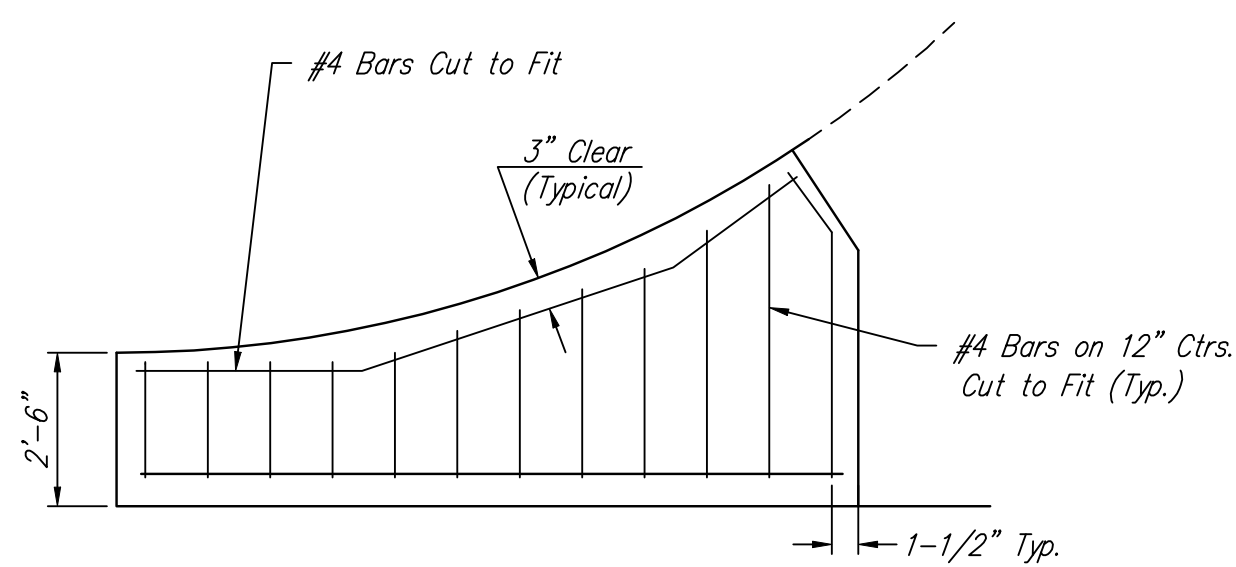
OPTIONAL LONGITUDINAL JOINT DETAIL (L.J.) (CONSTRUCTION JOINT)



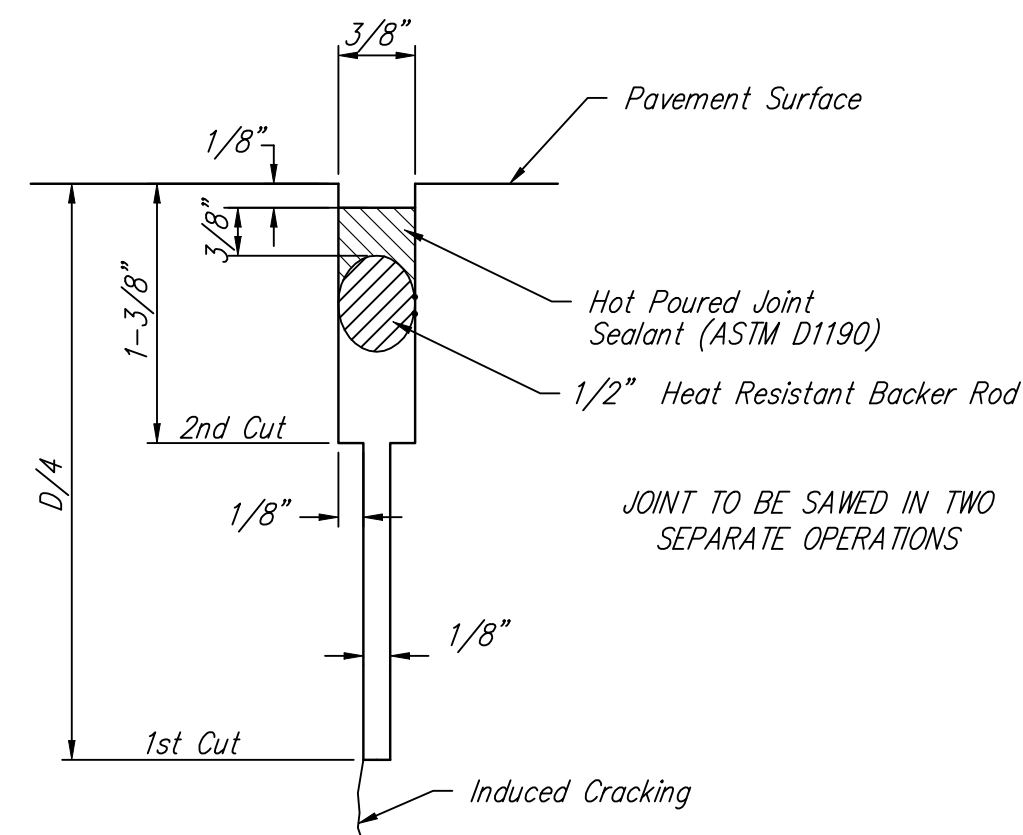
WHEELCHAIR RAMP DETAIL



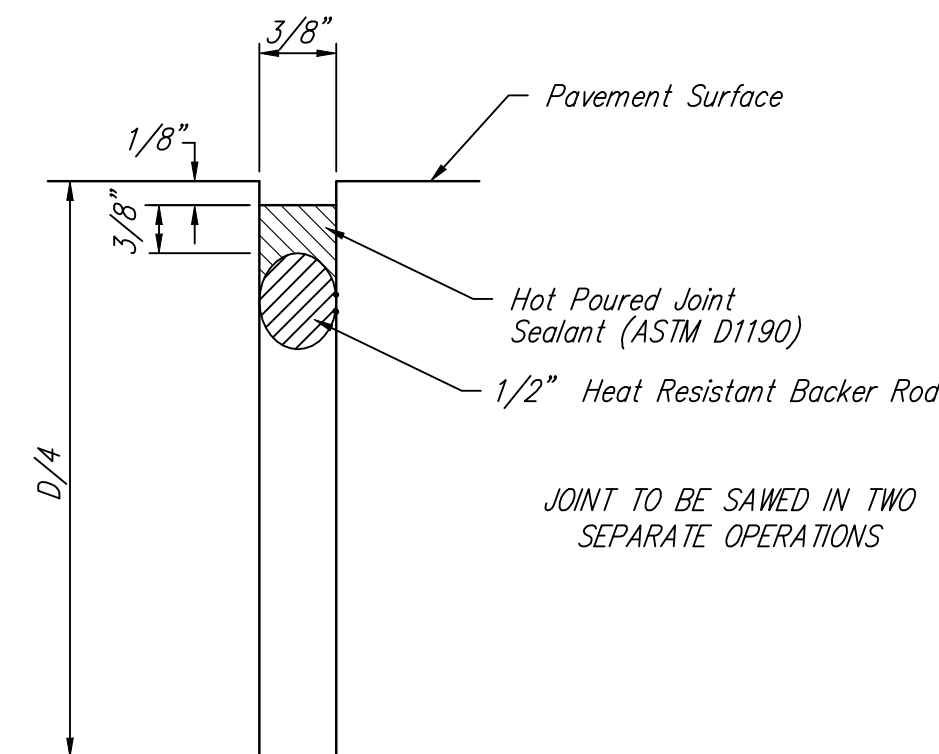
OPTIONAL CONTRACTION JOINT (CONSTRUCTION JOINT)



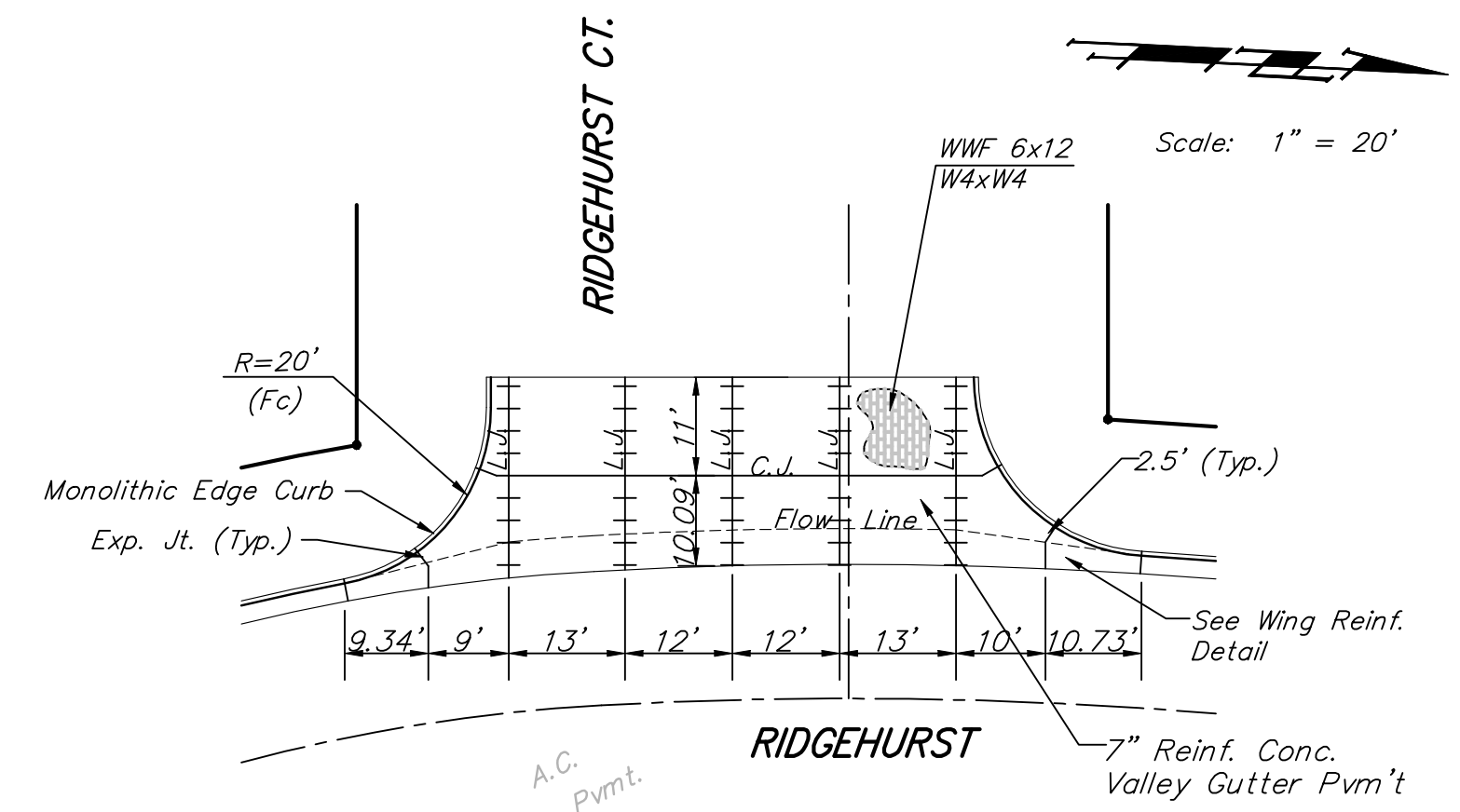
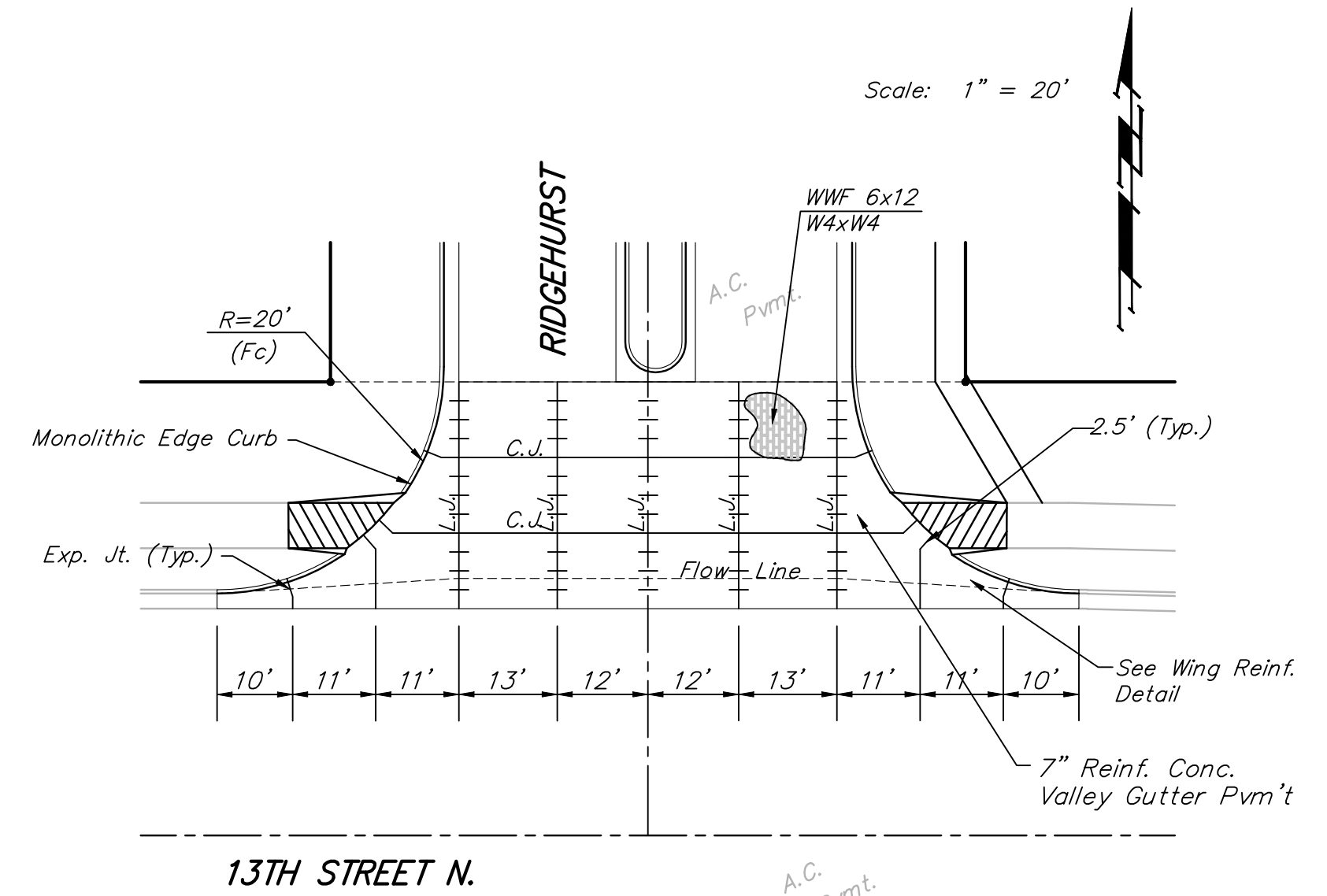
WING REINFORCING DETAIL



SAW JOINT DETAIL "A"



SAW JOINT DETAIL "B"



NOTE: 6" X 12" W4XW4 Wire Fabric Reinforcing Shall Be Placed So That The Wires With The 6" Spacing Will Run Parallel With The Longitudinal Joints.

Baughman		VALLEY GUTTER DETAILS	
Baughman Company, P.A. 315 Ellis St. Wichita, KS 67211 P 316-262-7271 F 316-262-0149 ENGINEERING SURVEYING PLANNING LANDSCAPE ARCHITECTURE			
PROJECT NUMBER 412-84594	DESIGN STAFF	DRAWN STAFF	DATE
REVISIONS:	APPROVED	DATE	01/08
SCALE NONE		SHEET	
		4 OF 16	
/EntVgdetail			