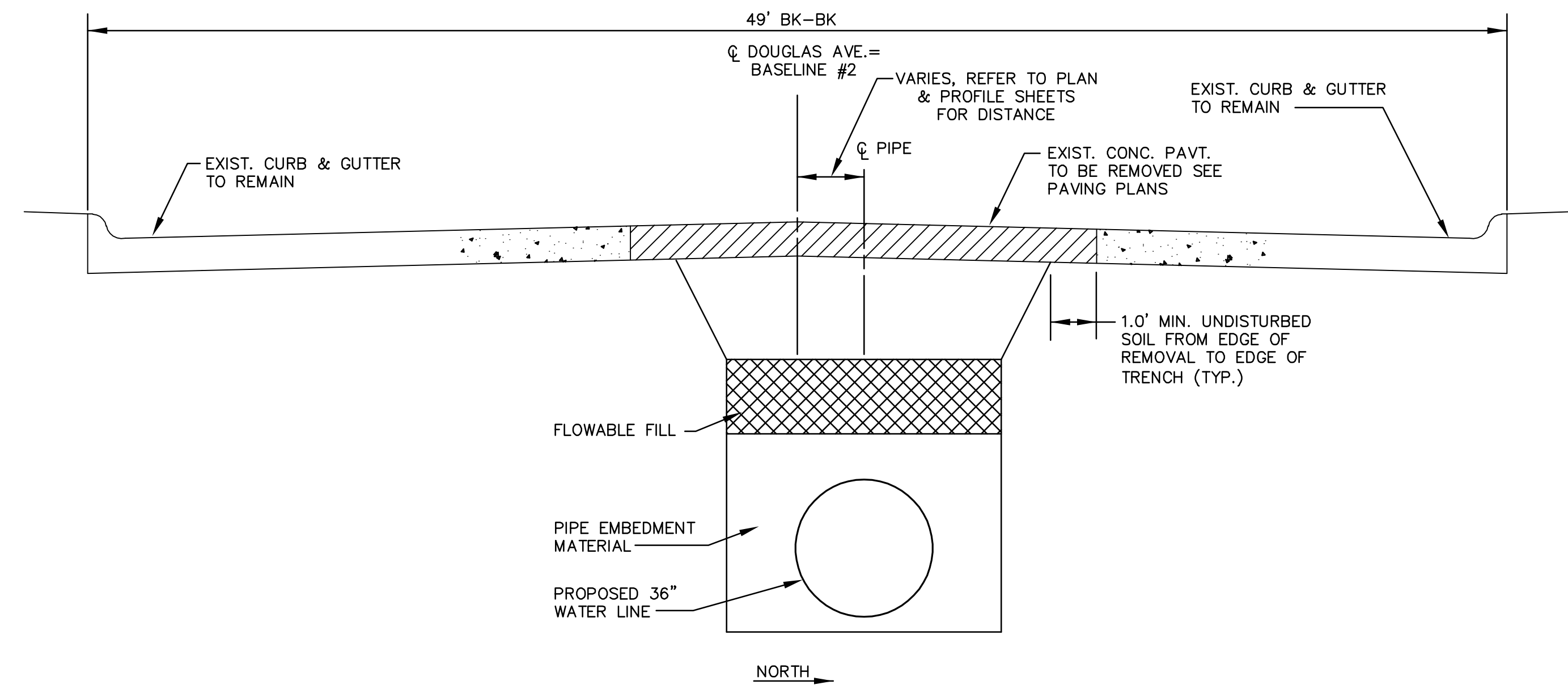


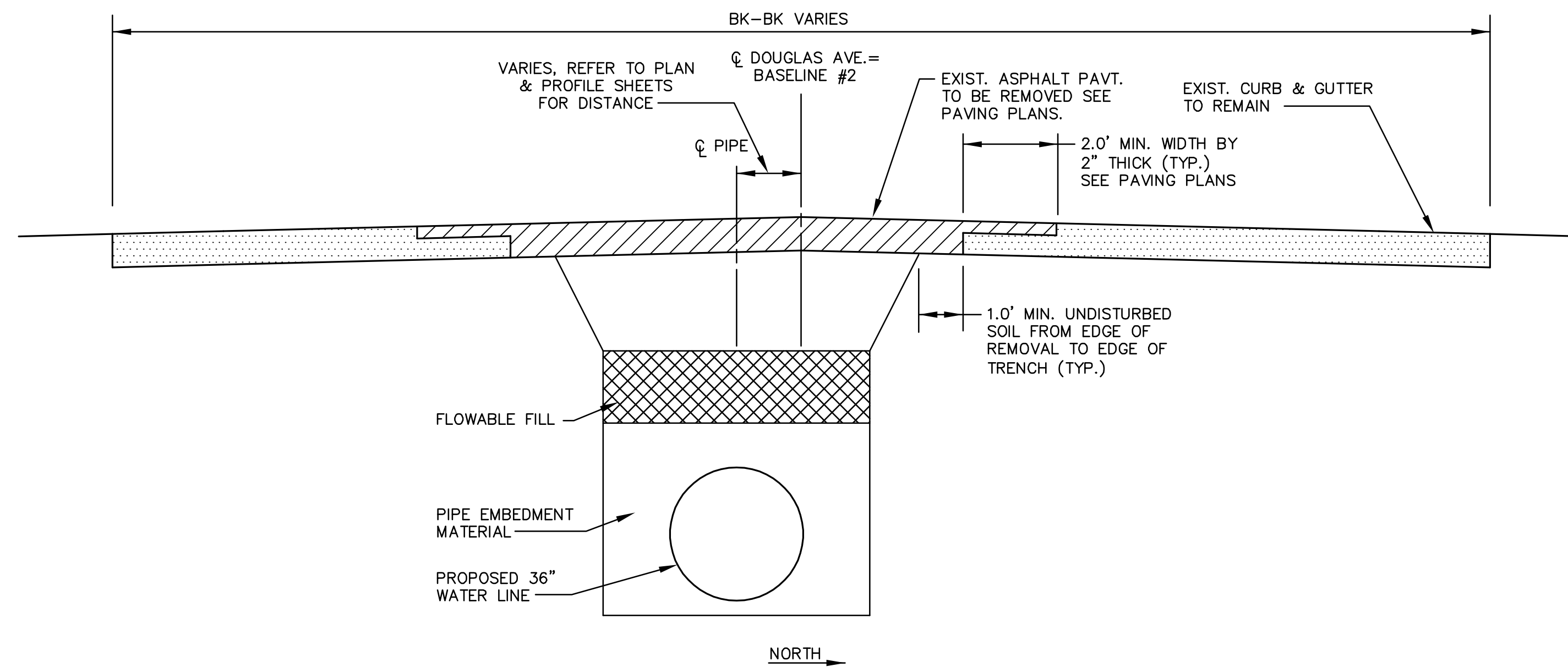
**PIPE PLACEMENT & TRENCH DETAIL
FOR McCOMAS ST.
FROM BL#1 STA. 0+97.37 TO BL#1 STA. 6+66.74**

NO SCALE



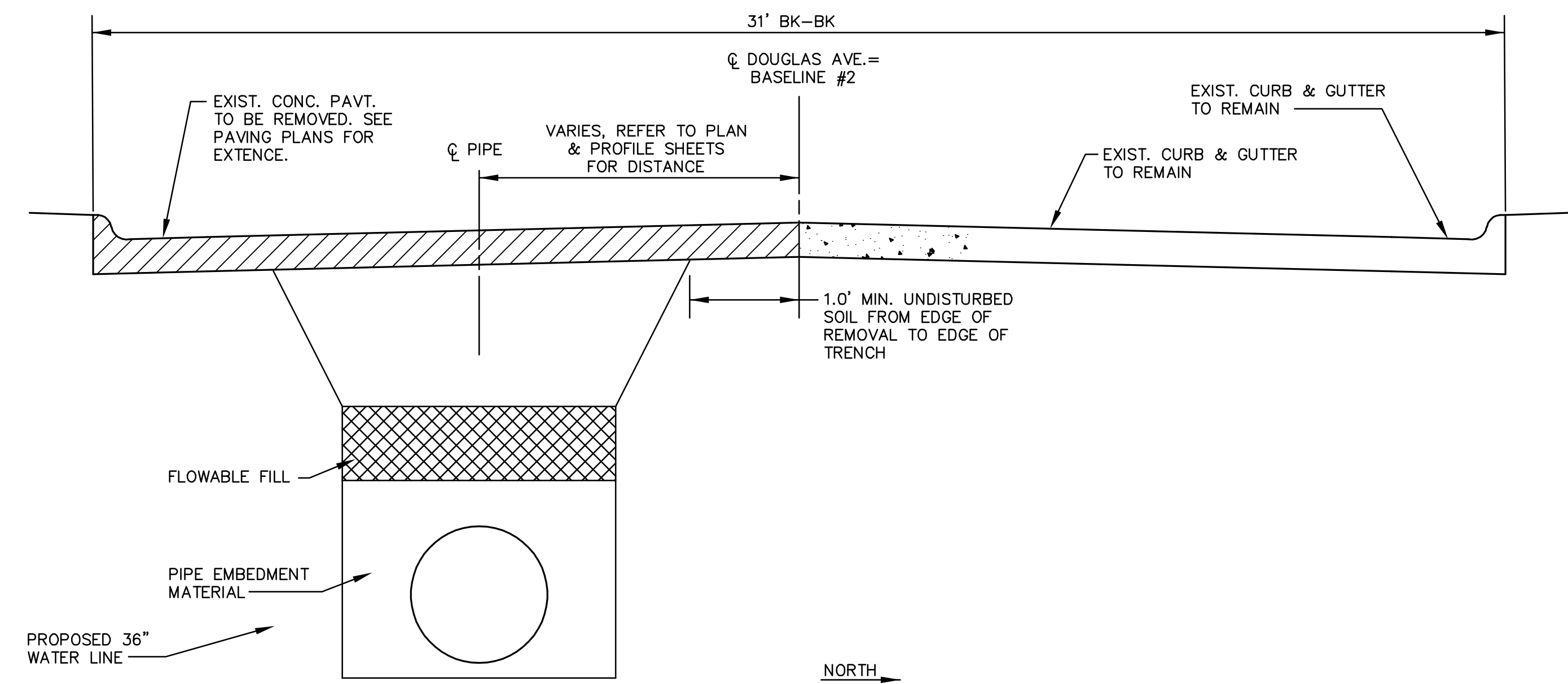
**PIPE PLACEMENT & TRENCH DETAIL
FOR DOUGLAS AVE.
FROM BL#2 STA. 0+47.69 TO BL#2 STA. 5+90**

NO SCALE



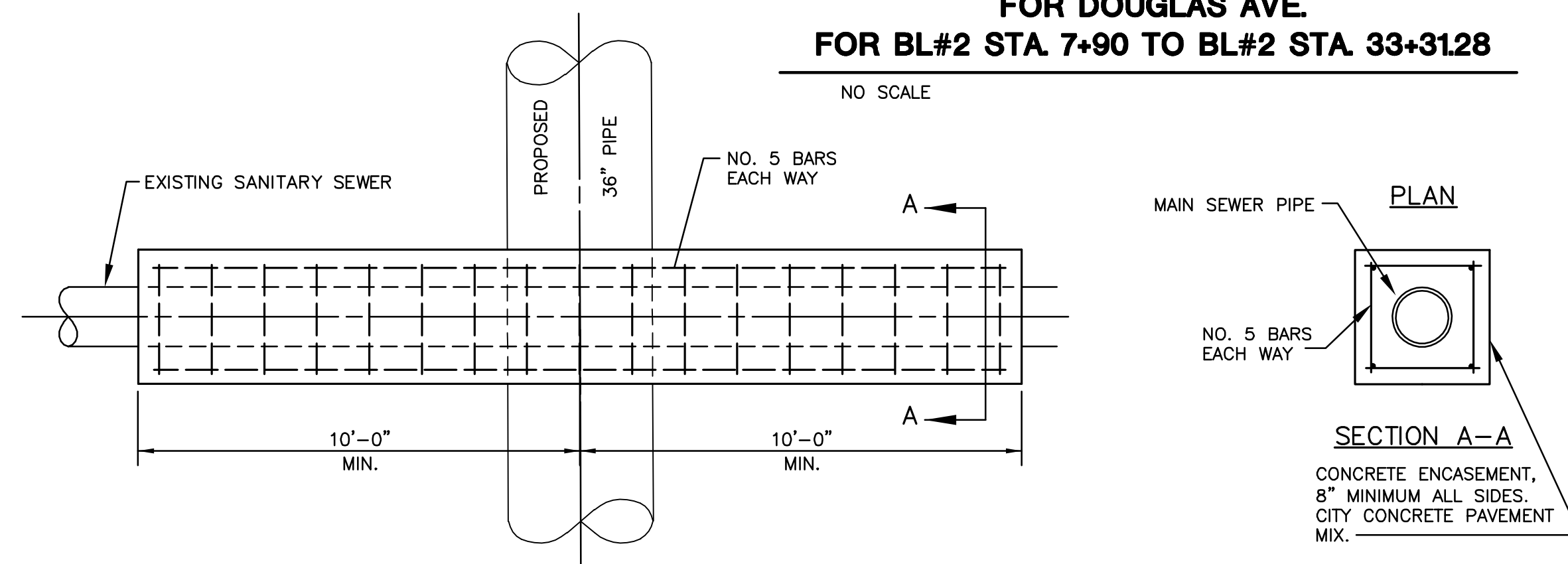
**PIPE PLACEMENT & TRENCH DETAIL
FOR DOUGLAS AVE.
FOR BL#2 STA. 7+90 TO BL#2 STA. 33+31.28**

NO SCALE



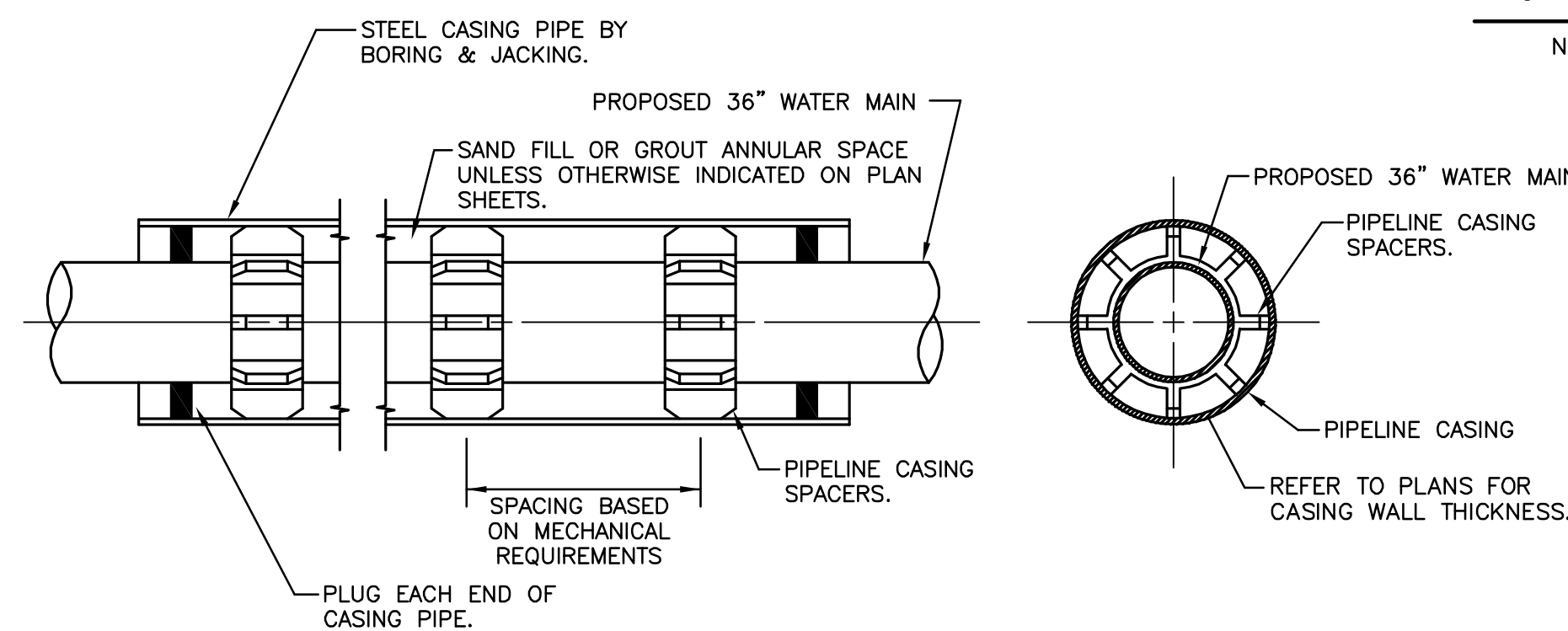
**PIPE PLACEMENT & TRENCH DETAIL
FOR DOUGLAS AVE.
FOR BL#2 STA. 33+31.28 TO B#2 STA. 58+57.35**

NO SCALE



TYPICAL SANITARY SEWER ENCASEMENT DETAIL

NO SCALE



STEEL CASING DETAIL

NO SCALE

**36" WATER MAIN IN DOUGLAS FROM
McCOMAS TO FLORA**

PROJECT NAME

MKEC
ENGINEERING
CONSULTANTS, INC.

SHEET TITLE

TYPICAL TRENCH DETAILS

SHEET TITLE

<p>411 N. WEBB ROAD WICHITA, K.S. 67206 316 - 684 - 9600</p>	<p>BDM DESIGN BY:</p>	<p>BDM DRAWN BY:</p>	<p>SCU CHECKED BY:</p>
<p>JULY 2006 DATE</p>	<p>05703_CD2 DRAWING NAME</p>	<p>5 / 23 SHEET / OF</p>	