

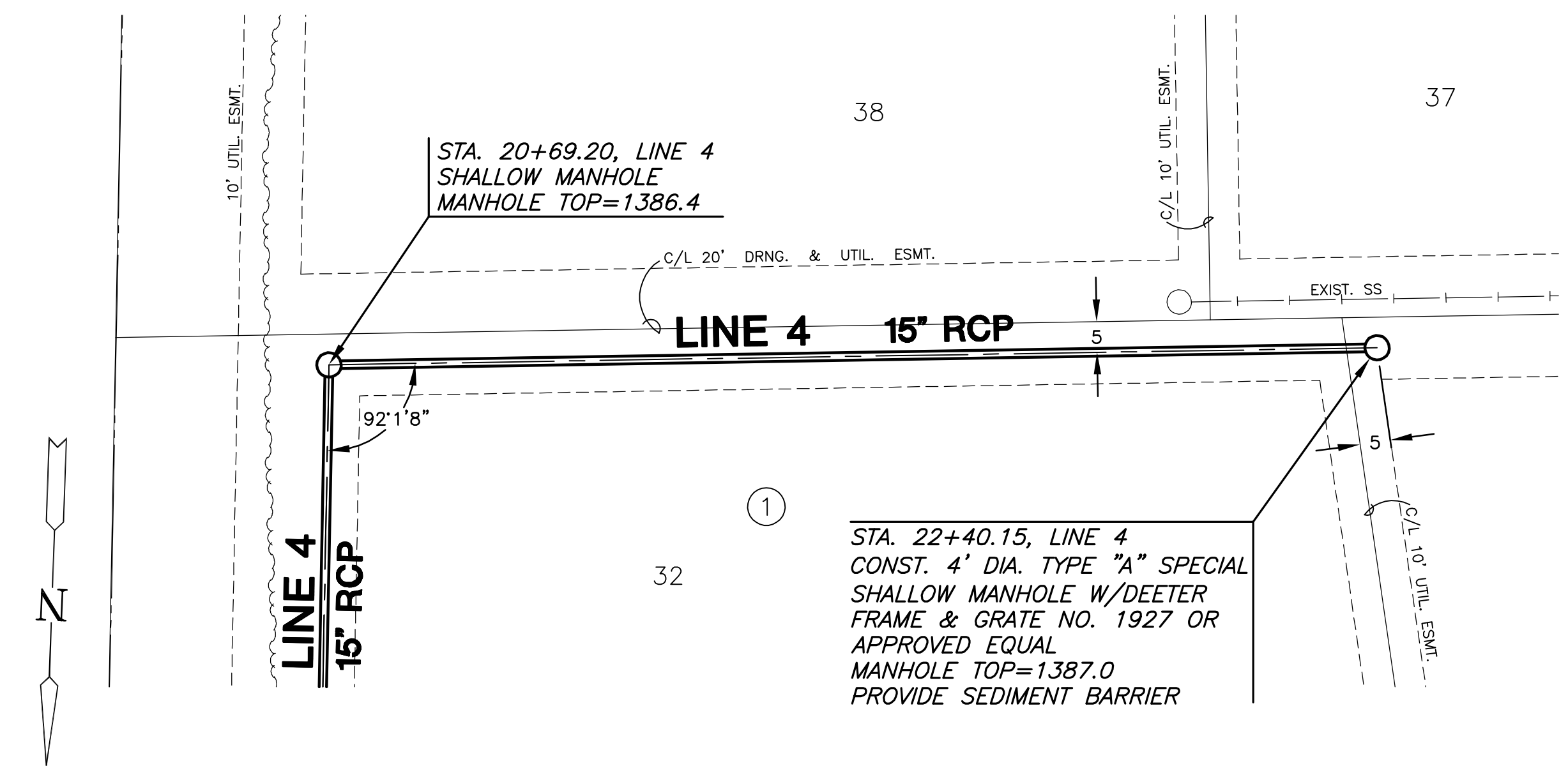
**STORM WATER SEWER PLANS FOR
WATERFRONT RESIDENTIAL
ADDITION**

LINES 4 & 5
SHEET TITLE
468-84423
PROJECT NUMBER

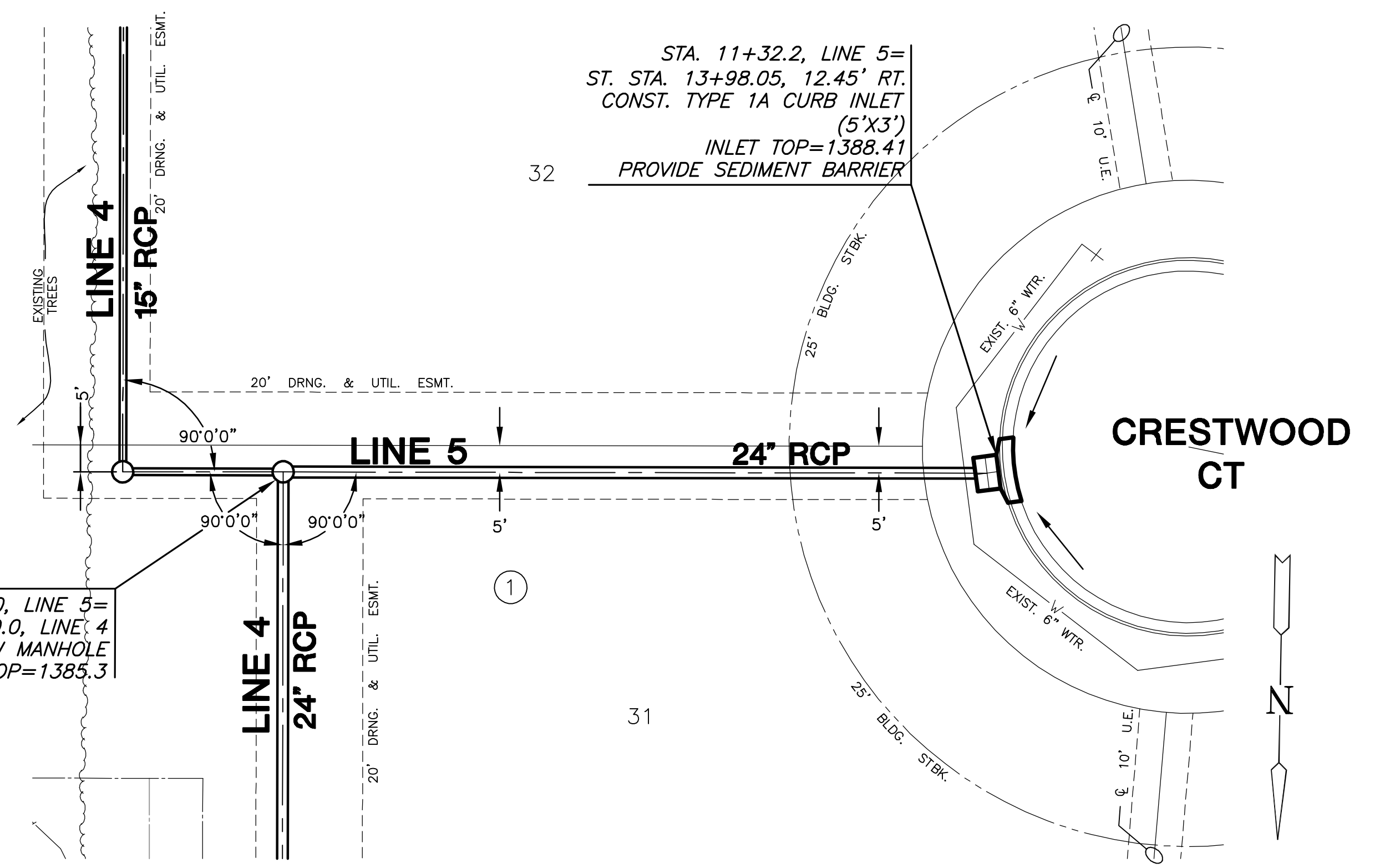
DESIGN BY: **SRS**
DRAWN BY: **JWC**
CHECKED BY: **GJA**

ISSUED: **February 2008**
REVISED:

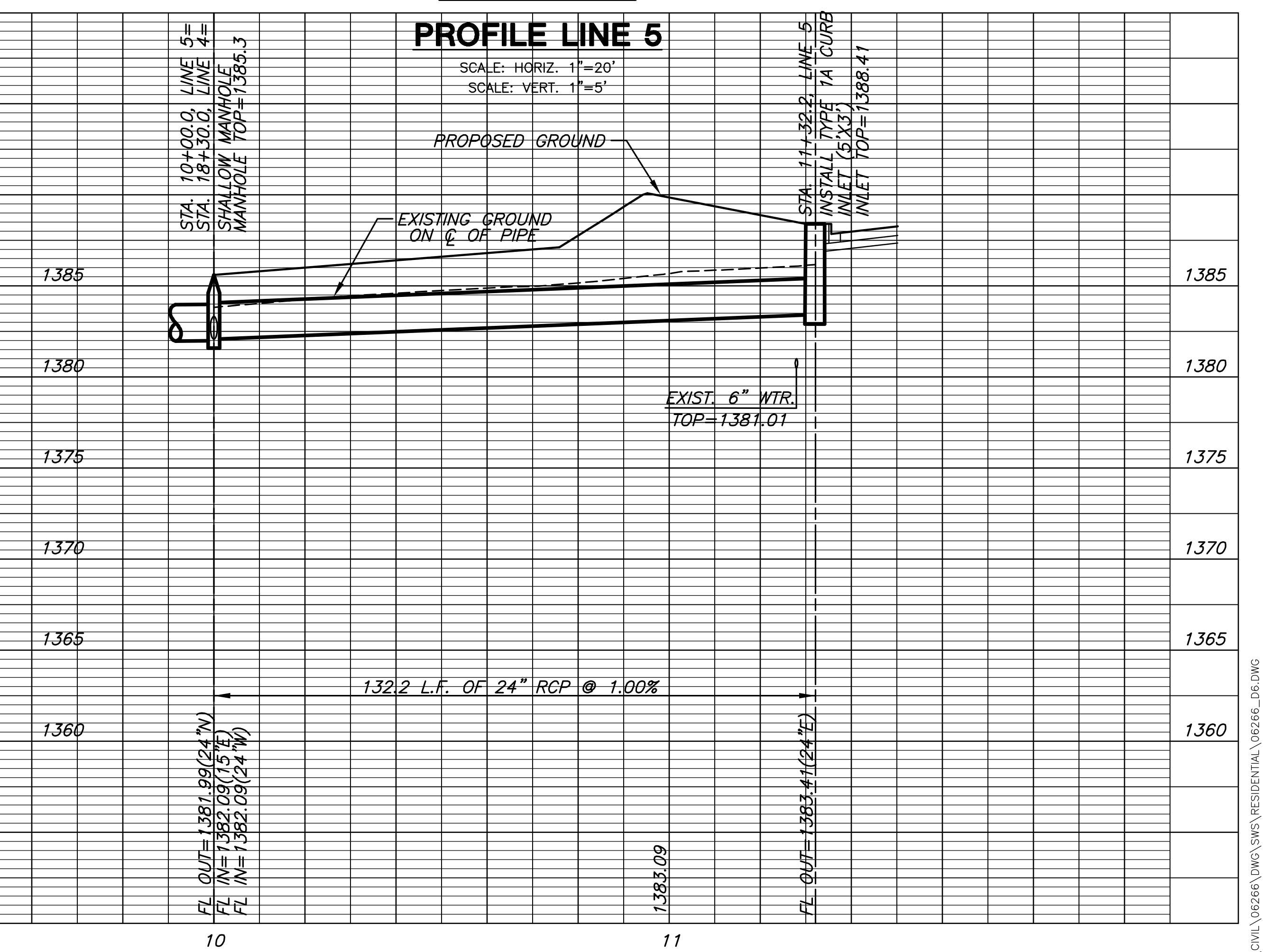
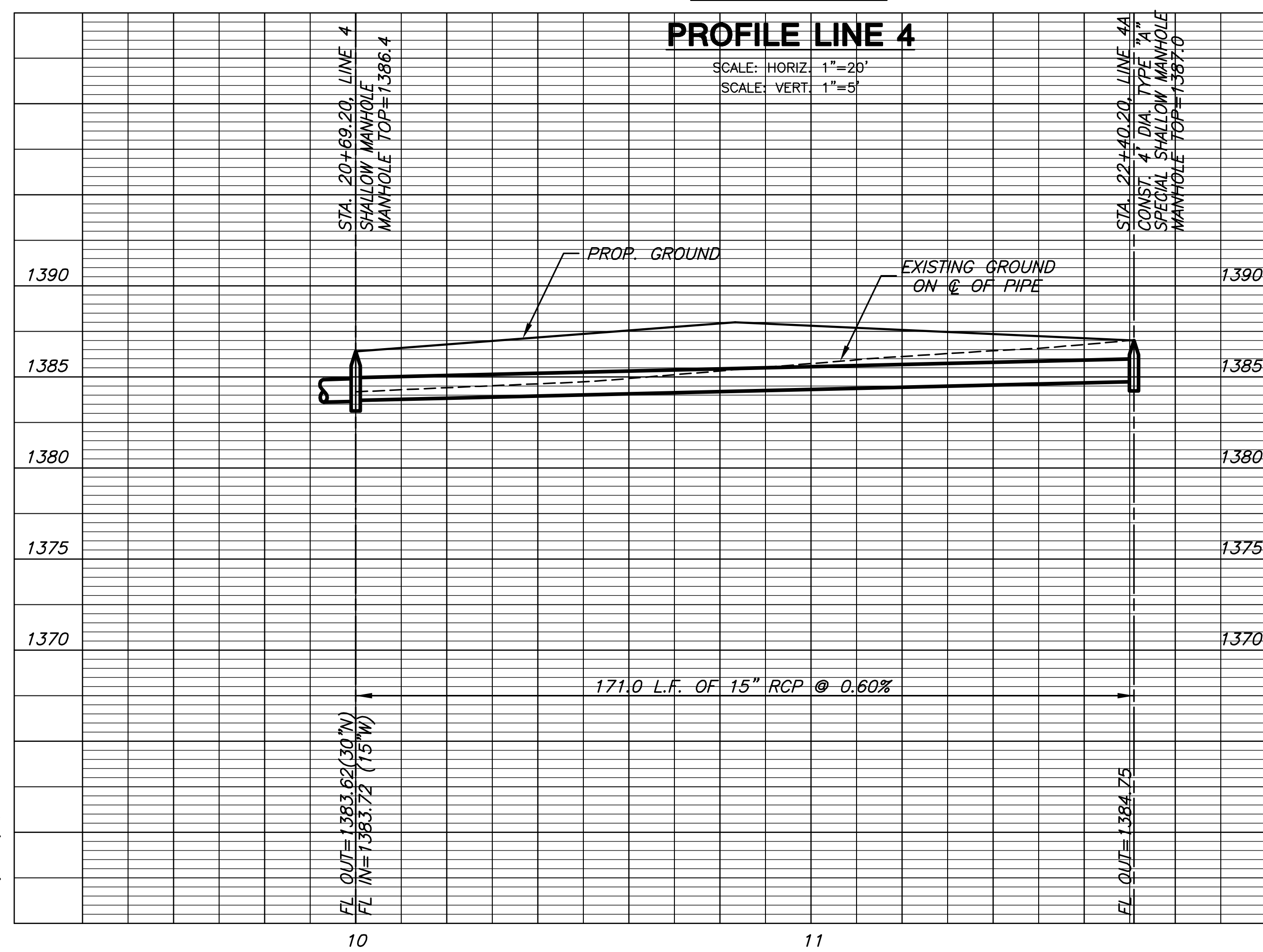
SHEET NO.
12 of 34



PLAN LINE 4



PLAN LINE 5



PLOTTED: Wednesday, February 20, 2008 @ 10:58AM

J:\CIVIL\06266\WMS\RESIDENTIAL\06266_D06.DWG