

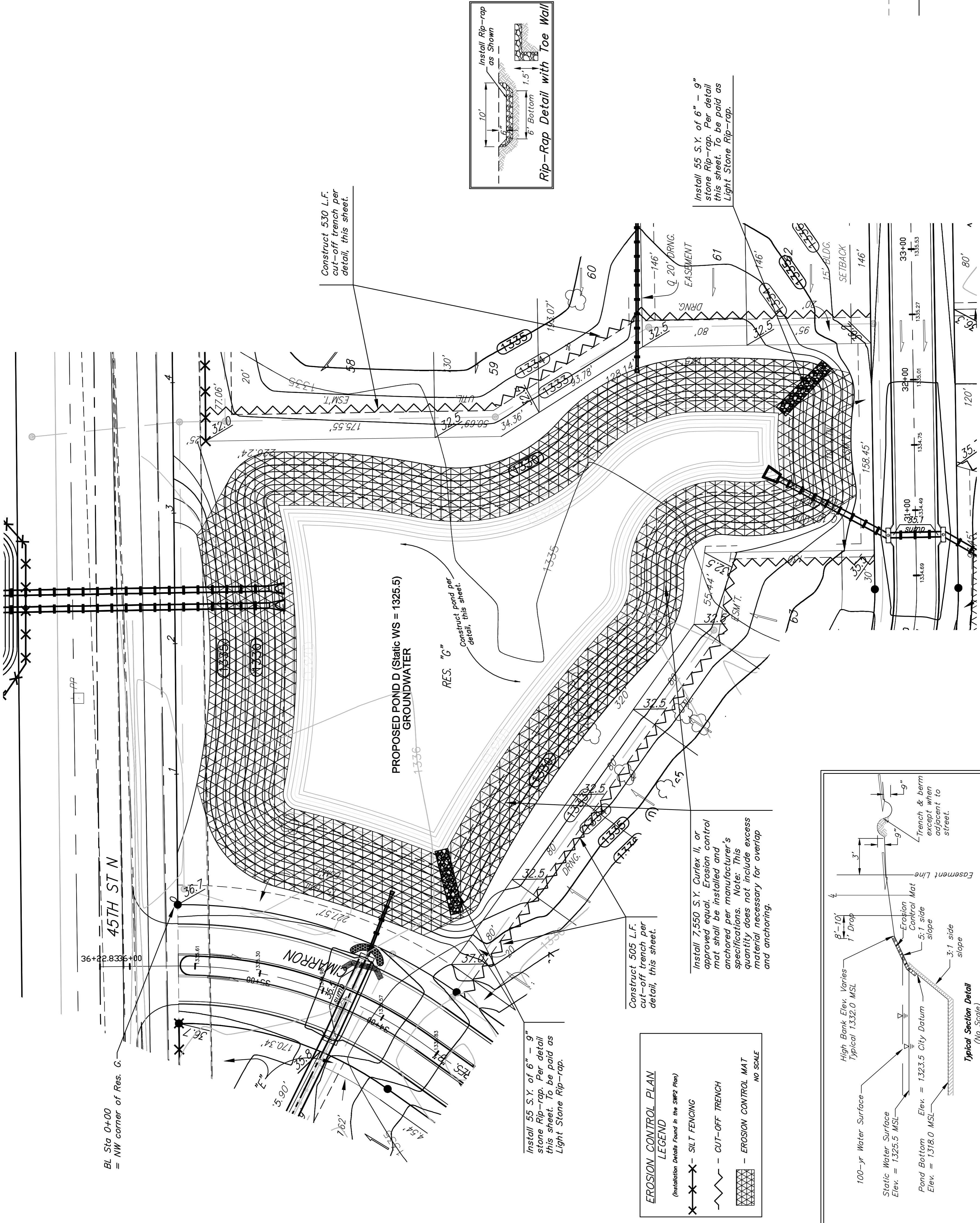
Scale: 1" = 40'

EDGE WATER ADDITION

**POND PLAN D**  
WICHITA, KANSAS

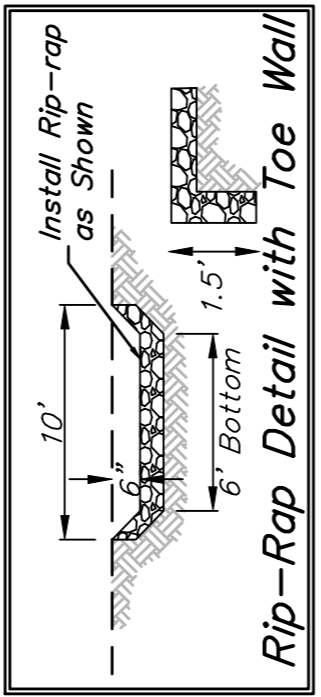
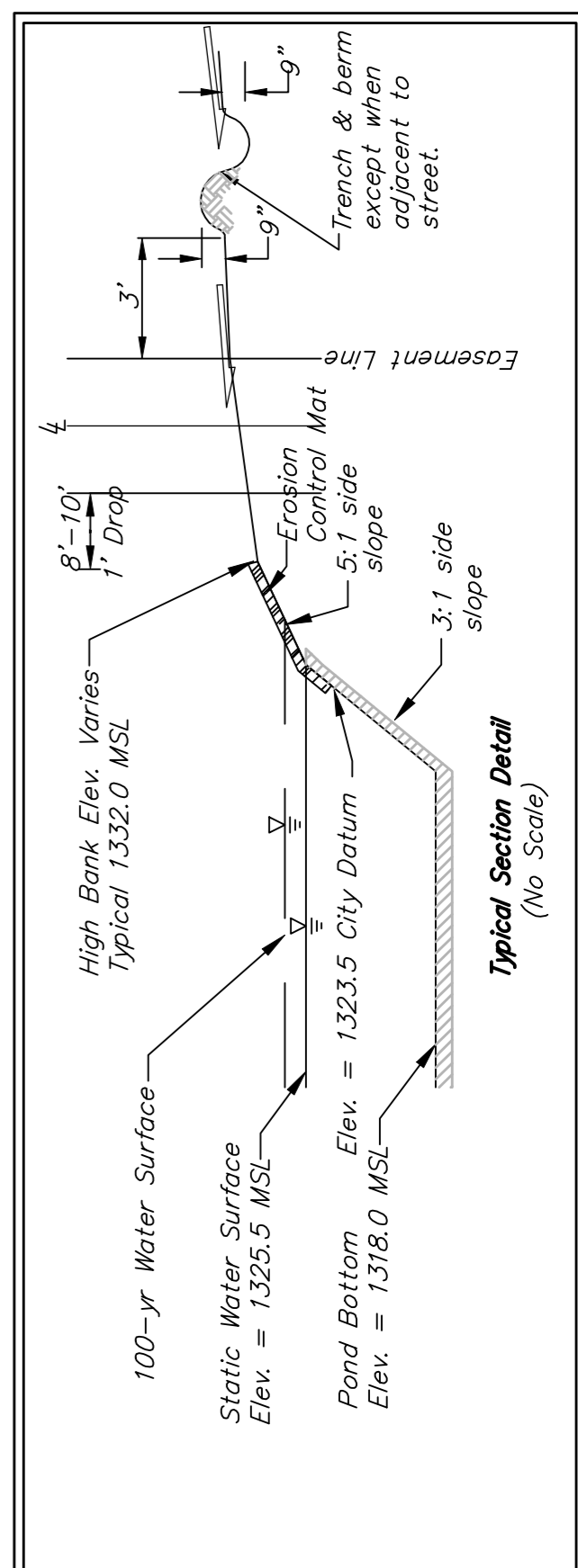
Baughman  
Engineering & Planning, Inc.

PROJECT NUMBER: 488-84333  
DESIGN: TMS  
DRAWN: TMS  
DATE: 09/07  
APPROVED: [Signature]  
SCALE: Noted  
SHEET: 29 OF 44



**EROSION CONTROL PLAN**  
*(Installation Details Found in the SMP2 Plan)*

--- SILT FENCING  
--- CUT-OFF TRENCH  
--- EROSION CONTROL MAT  
NO SCALE



Install 55 S.Y. of 6" - 9" stone Rip-rap. Per detail this sheet. To be paid as Light Stone Rip-rap.

Construct 530 L.F. cut-off trench per detail, this sheet.

Construct pond per detail, this sheet.

Construct 505 L.F. cut-off trench per detail, this sheet.

Install 55 S.Y. of 6" - 9" stone Rip-rap. Per detail this sheet. To be paid as Light Stone Rip-rap.

BL Sta 0+00 = NW corner of Res. G.

45TH ST N