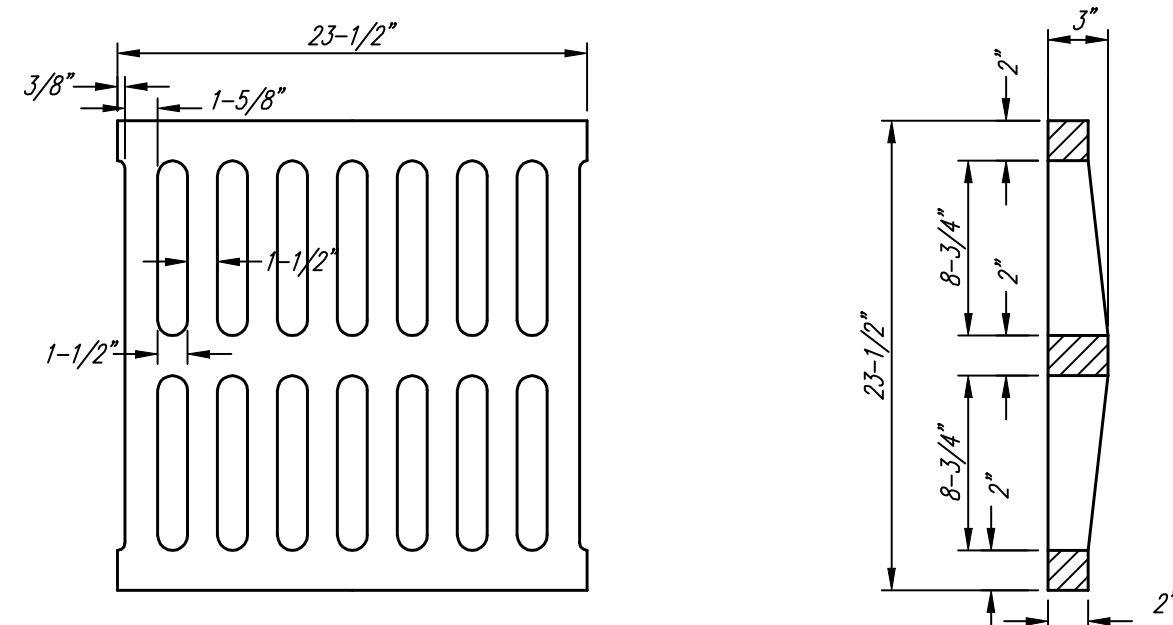
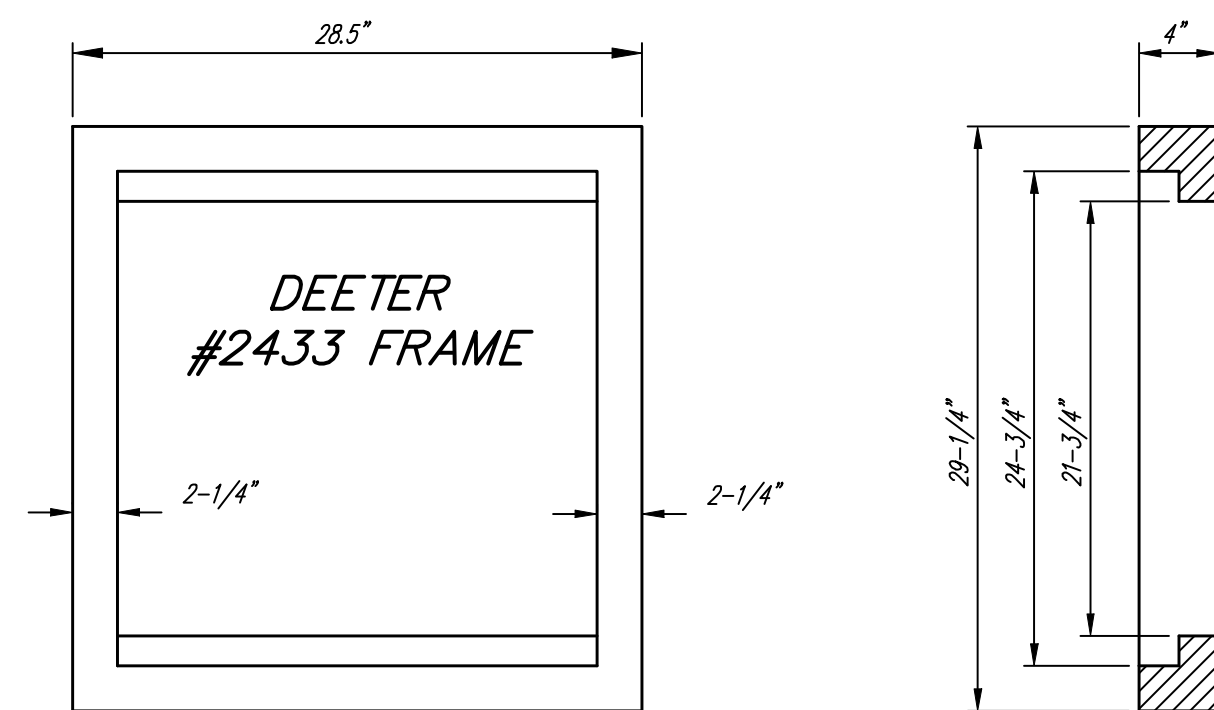


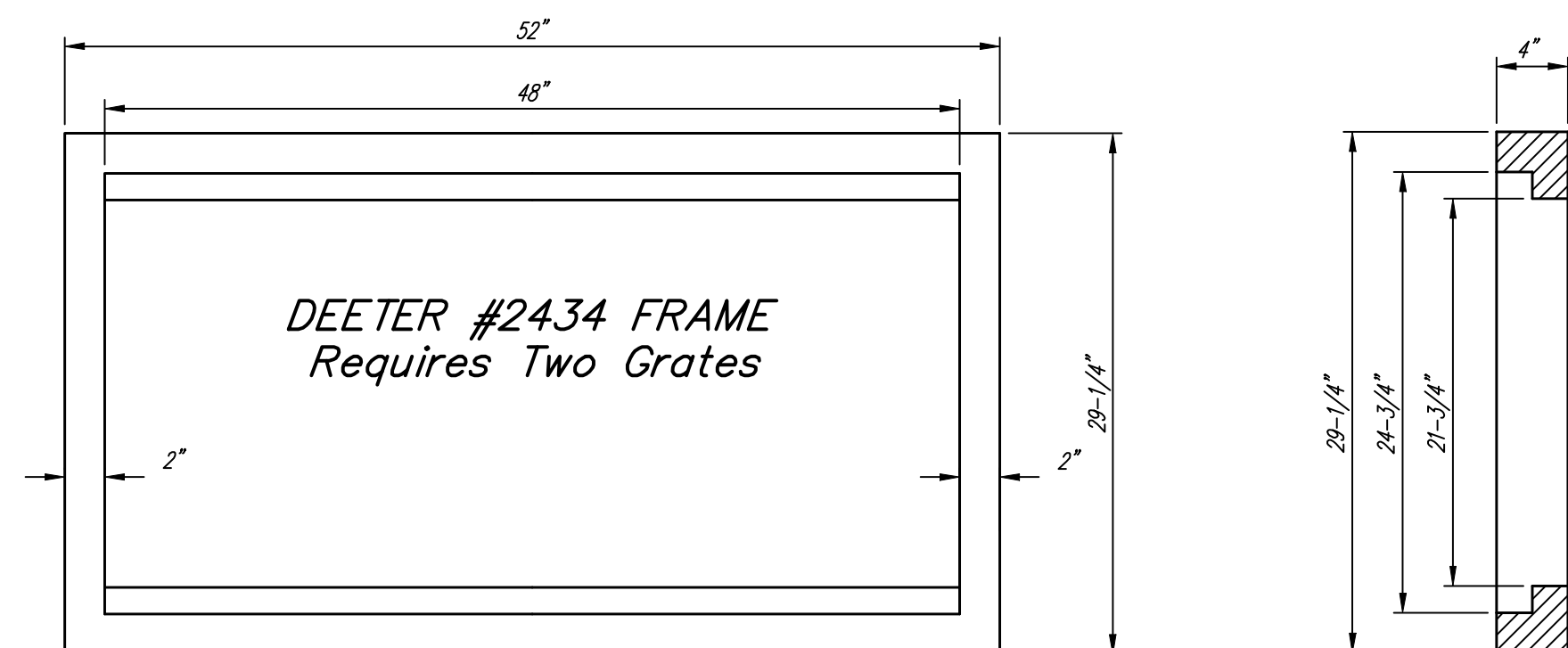
Note: Concrete apron shall be constructed around the inlet when inlet is located in an unpaved area. Where the inlet is adjacent to pavement, the pavement thickness shall be tapered to the inlet in 18 inches as indicated on the detail.



DEETER #2433 GRATE

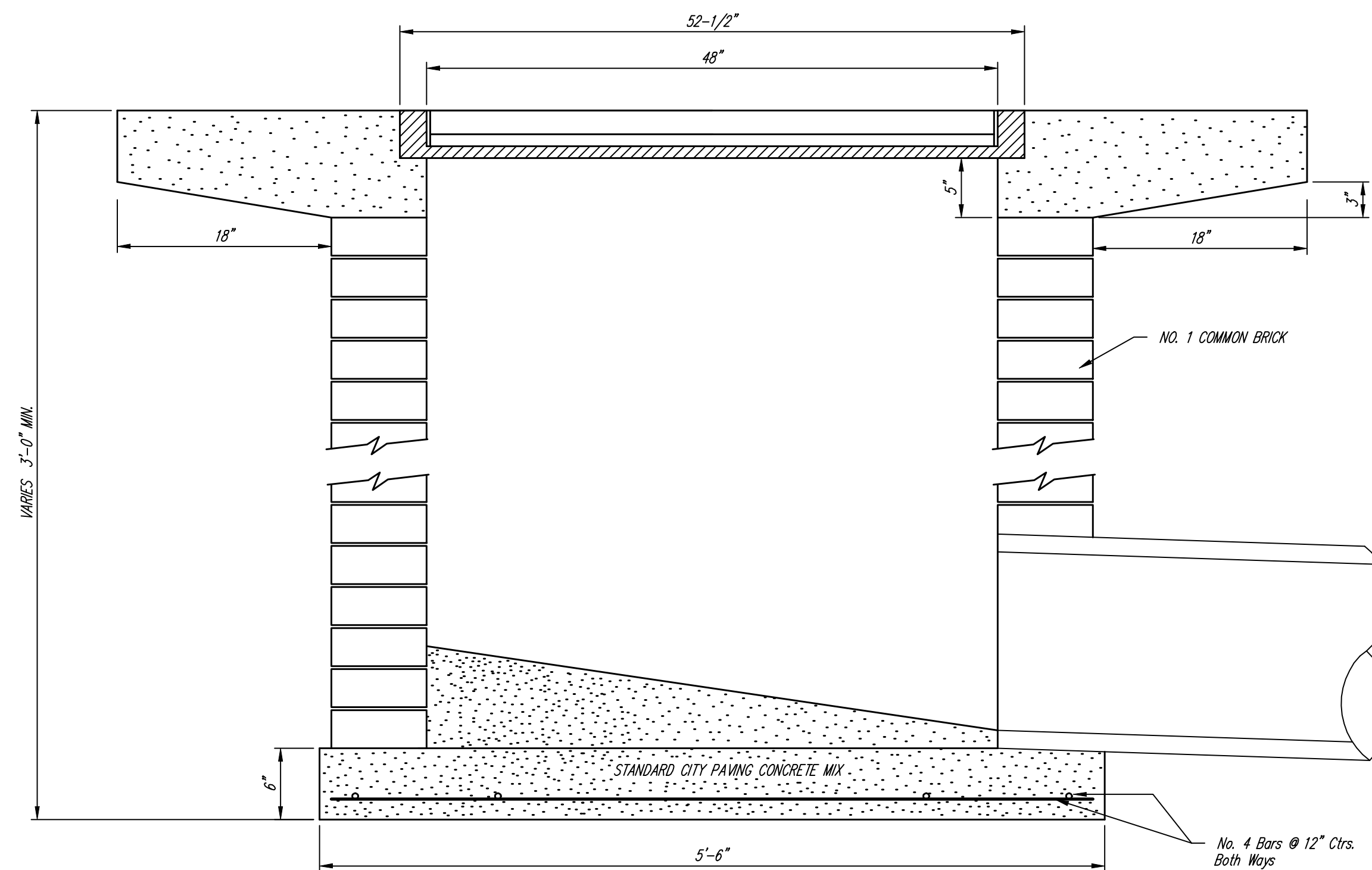
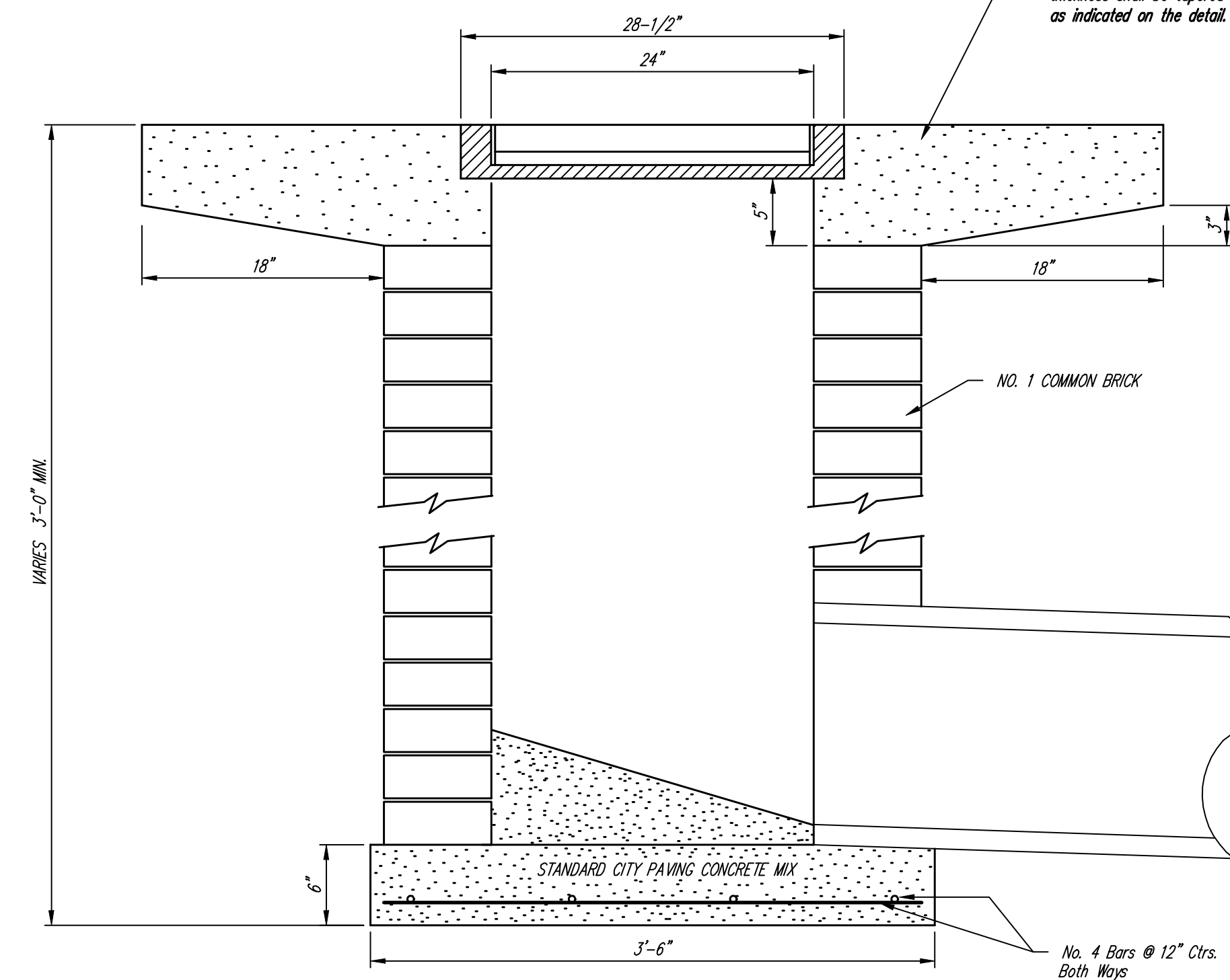
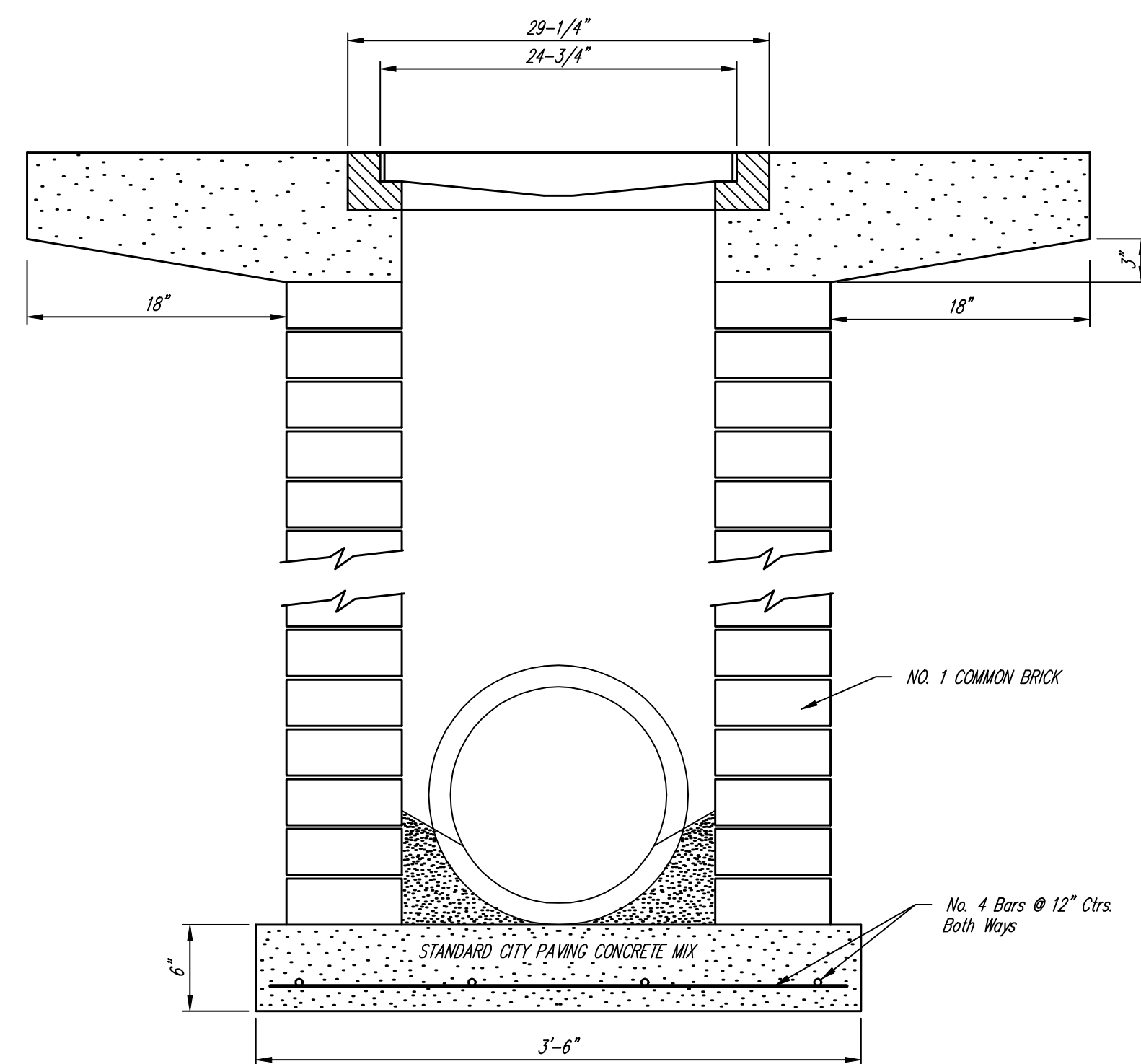
24" x 24" Frame and Grate Detail

NOTE: Grates shall be imprinted on the top surface with "CITY OF WICHITA" using letters at least 1" in height. Other marking methods may be approved by the engineer.



DEETER #2434 FRAME  
Requires Two Grates

Double 24" x 24" Frame Detail



	City of Wichita Standard	
	<b>Drop Inlet Detail</b>	
Baughman Company, P.A. 315 Ellis St. Wichita, KS 67211 P 316262-7271 F 316262-0149		
ENGINEERING   SURVEYING   PLANNING   LANDSCAPE ARCHITECTURE		
PROJECT NUMBER 472-83805	DESIGN C.O.W.	DRAWN Staff
REVISIONS:	APPROVED	DATE
	SCALE None	
	SHEET	<b>29</b> OF <b>34</b>
F:\Eng\Details\Sewers\DROPINT2.dwg		