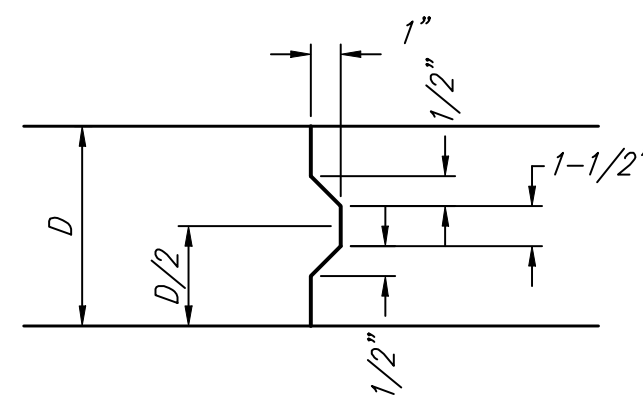
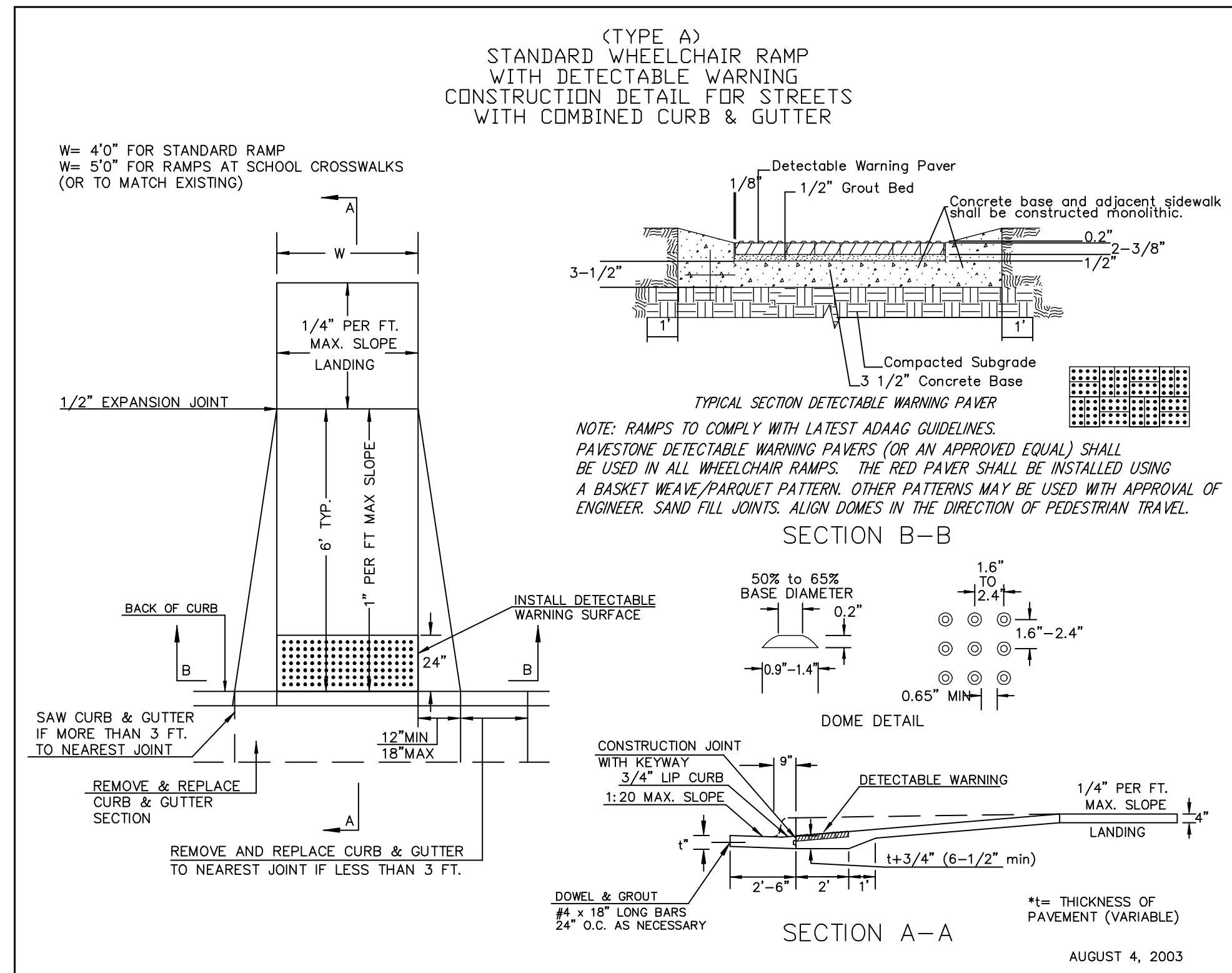


**EXPANSION JOINT**

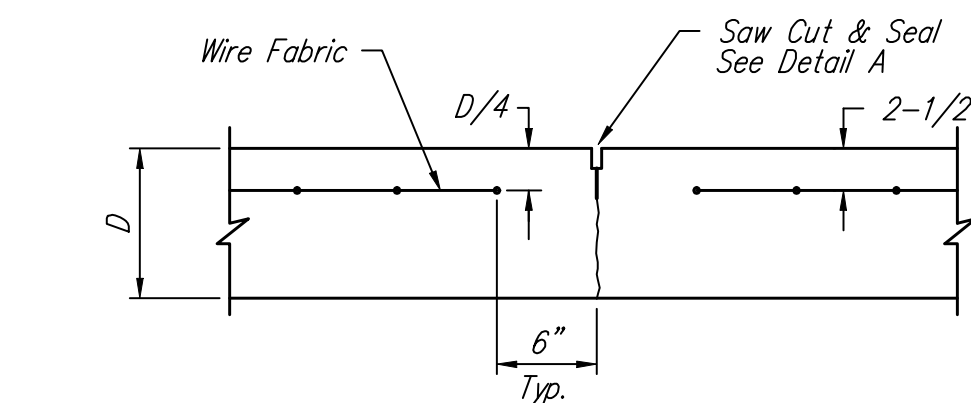
NOTE: Extra Thickness to be Subsidiary to Price of Square Yards Pavement



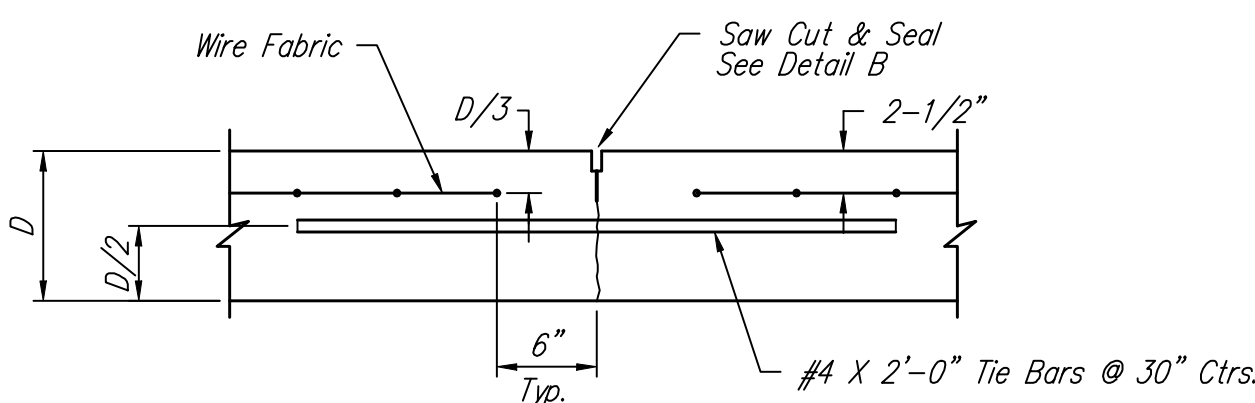
**KEYWAY DETAIL**



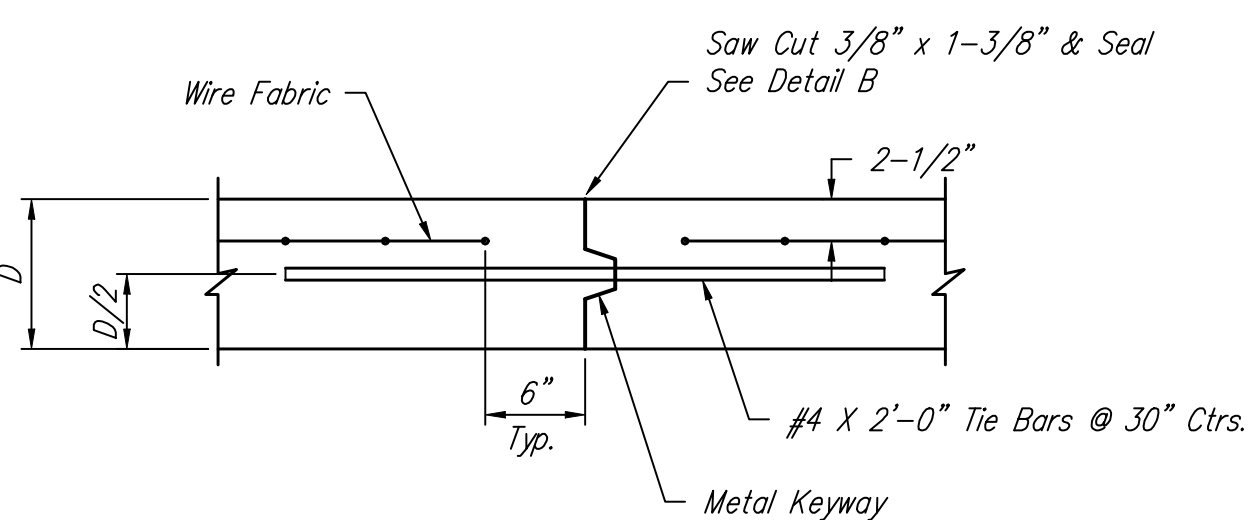
**WHEELCHAIR RAMP DETAIL**



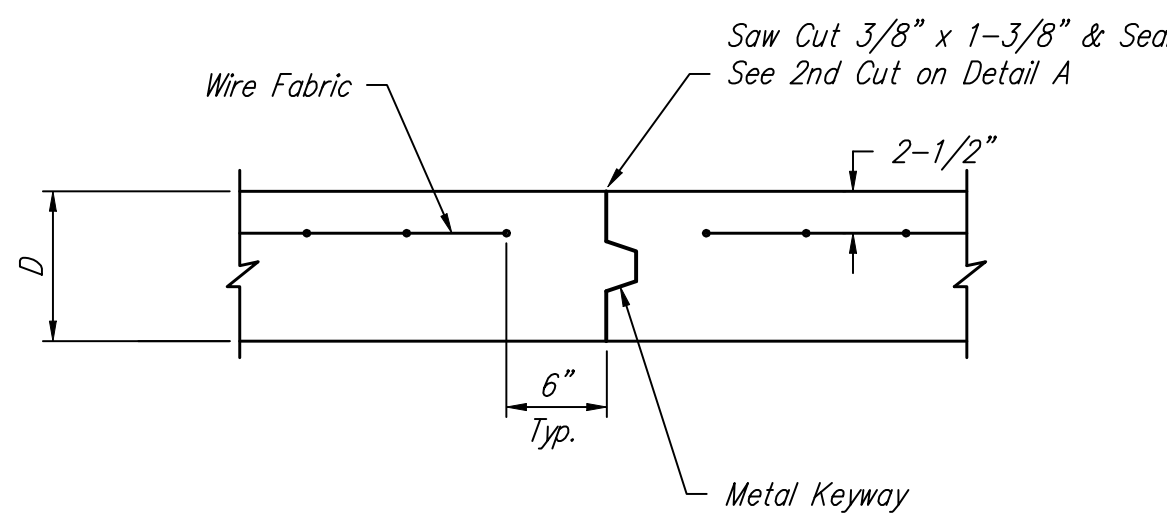
**CONTRACTION JOINT DETAIL (C.J.)**



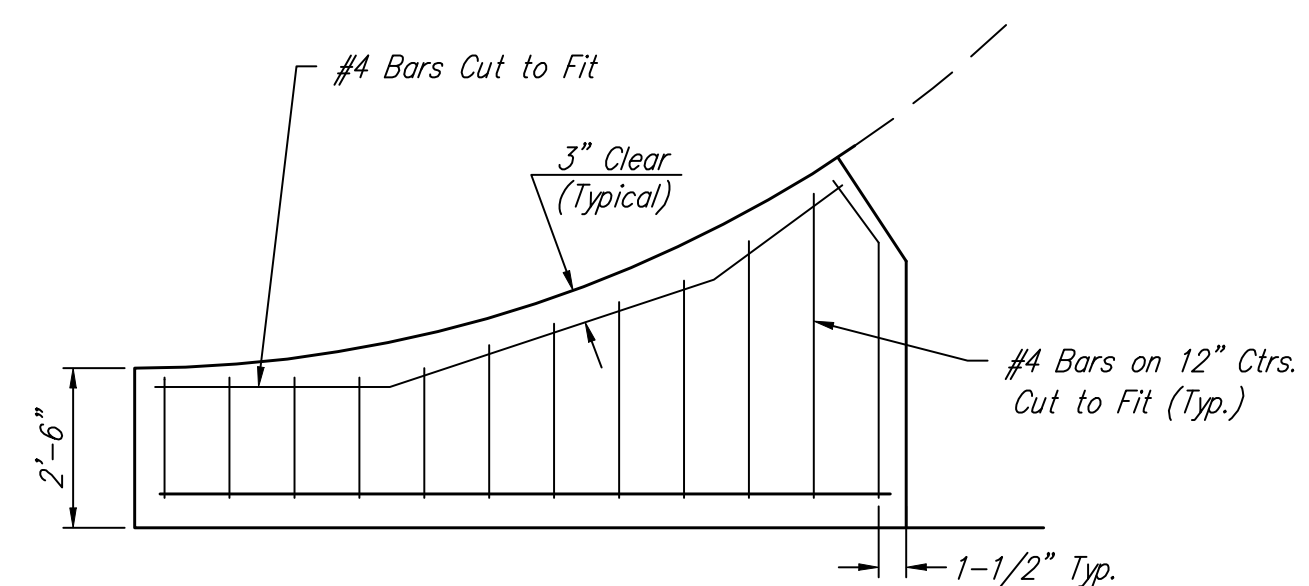
**LONGITUDINAL JOINT DETAIL (L.J.)**



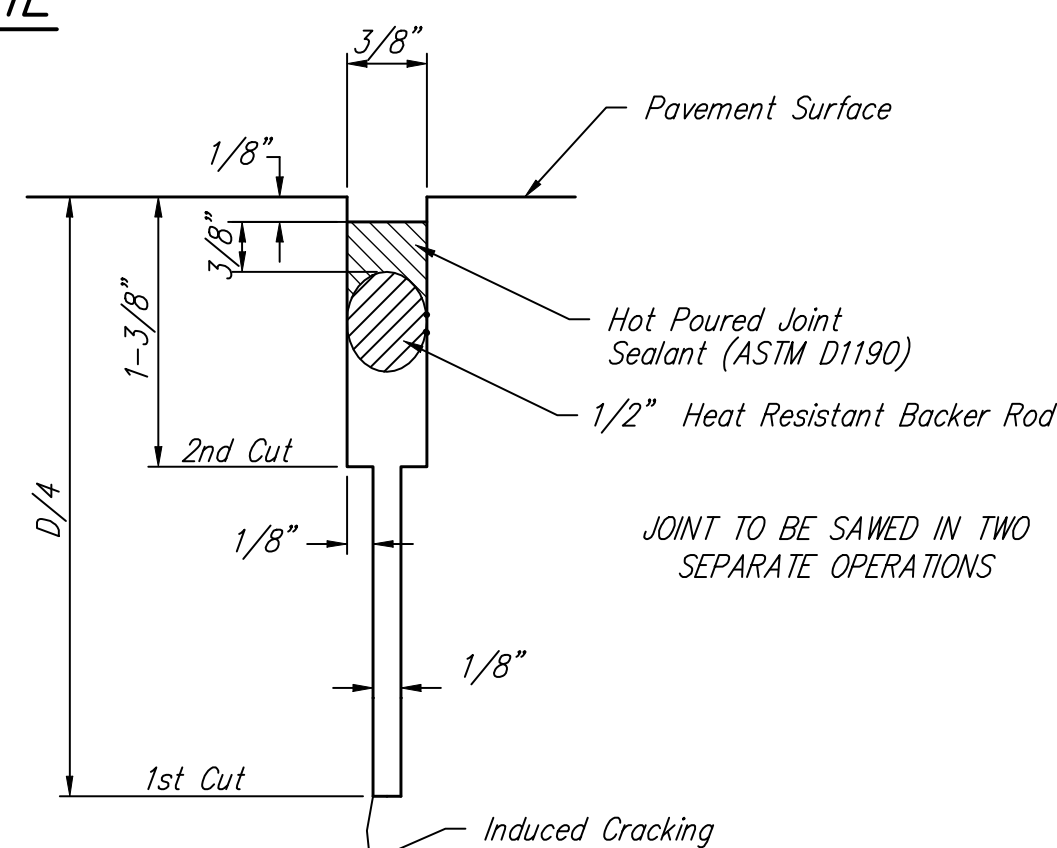
**OPTIONAL LONGITUDINAL JOINT DETAIL (L.J.) (CONSTRUCTION JOINT)**



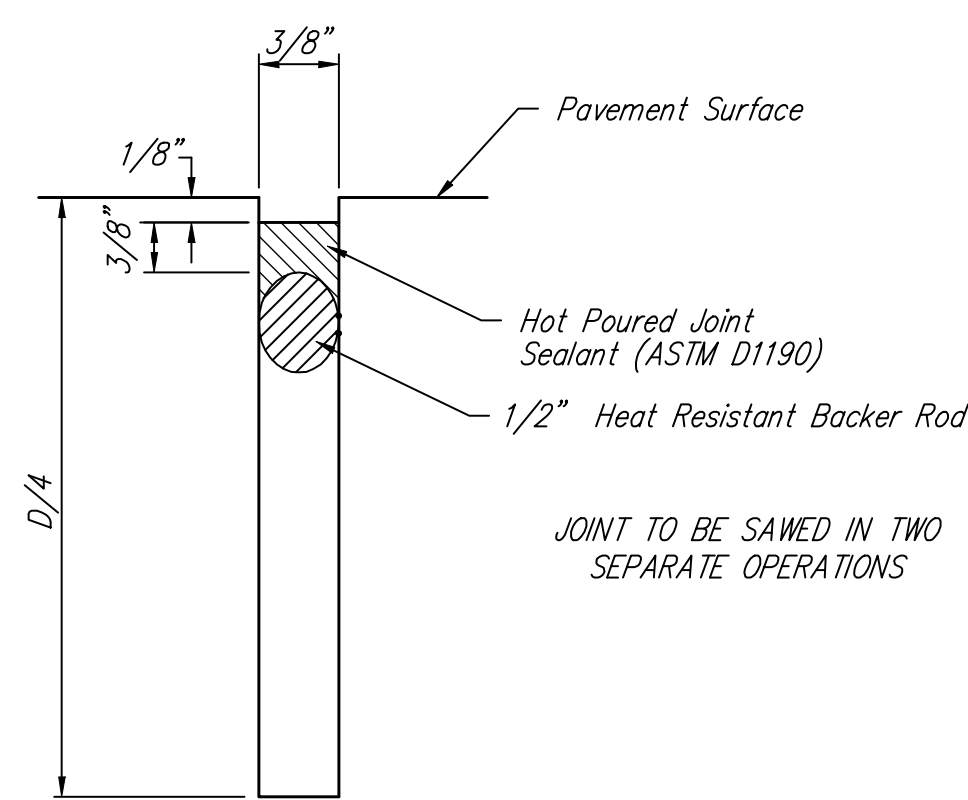
**OPTIONAL CONTRACTION JOINT (CONSTRUCTION JOINT)**



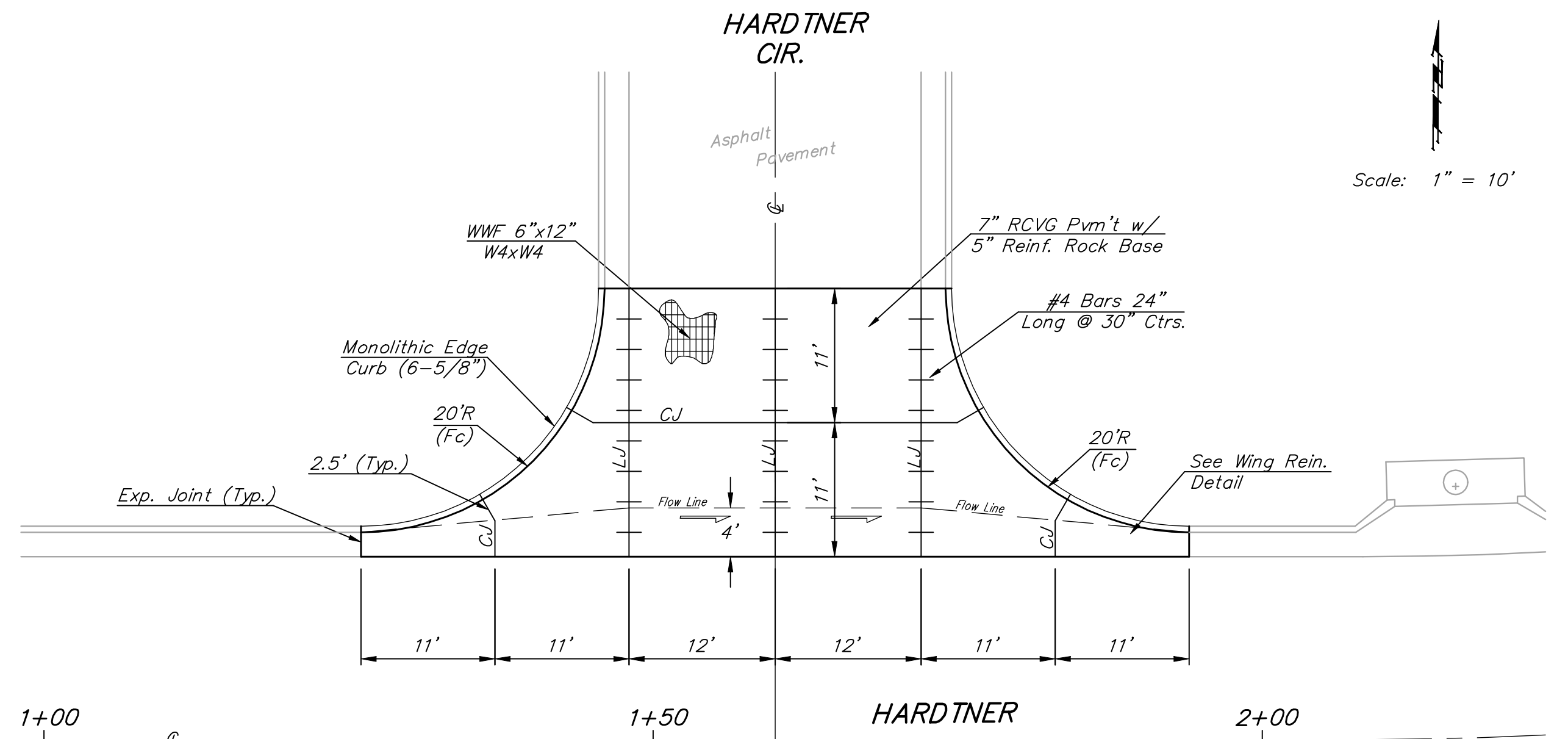
**WING REINFORCING DETAIL**



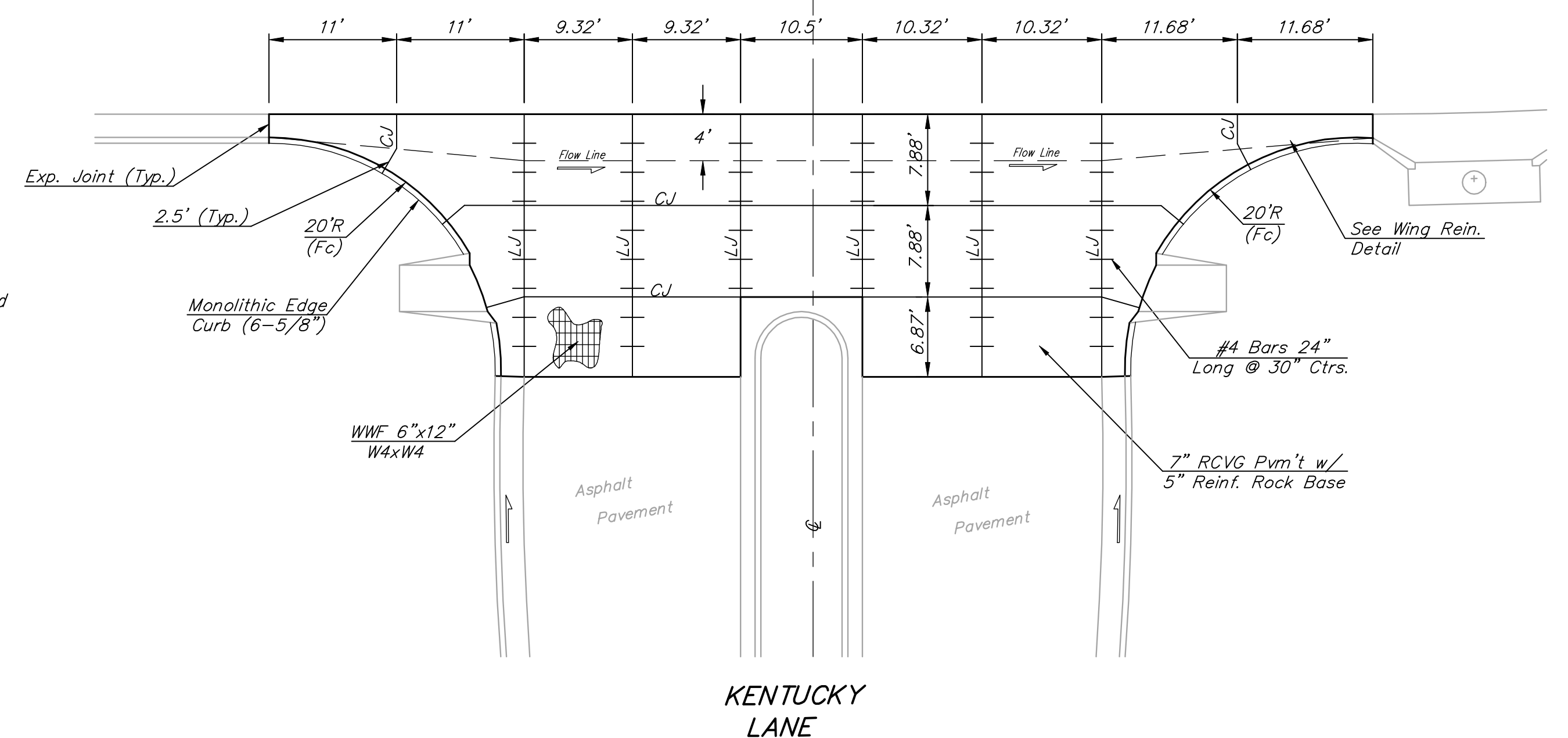
**SAW JOINT DETAIL "A"**



**SAW JOINT DETAIL "B"**



Scale: 1" = 10'



**VALLEY GUTTER DETAILS**

NOTE: 6" X 12" W4XW4 Wire Fabric Reinforcing Shall Be Placed So That The Wires With The 6" Spacing Will Run Parallel With The Longitudinal Joints.

|  |              |   |         |
|--|--------------|---|---------|
|  |              | Highland Springs 3rd Addition - Phase III |         |
|  |              | Miscellaneous Details                     |         |
| Baughman Company, P.A. 315 Ellis St. Wichita, KS 67211 P 316.262.7271 F 316.262.0149 |              |   |         |
| ENGINEERING   SURVEYING   PLANNING   LANDSCAPE ARCHITECTURE                          |              |   |         |
| PROJECT NUMBER<br>472-83780  | DESIGN STAFF | DRAWN STAFF                               |         |
| REVISIONS:   | APPROVED     | DATE                                      | 6/21/06 |
| SCALE<br>NONE  |              | SHEET                                     |         |
|  |              | <b>5 OF 31</b>                            |         |
| Highland Springs 3rd/Phase 3/Vgdetail.dwg 05-09-E358                                 |              |   |         |