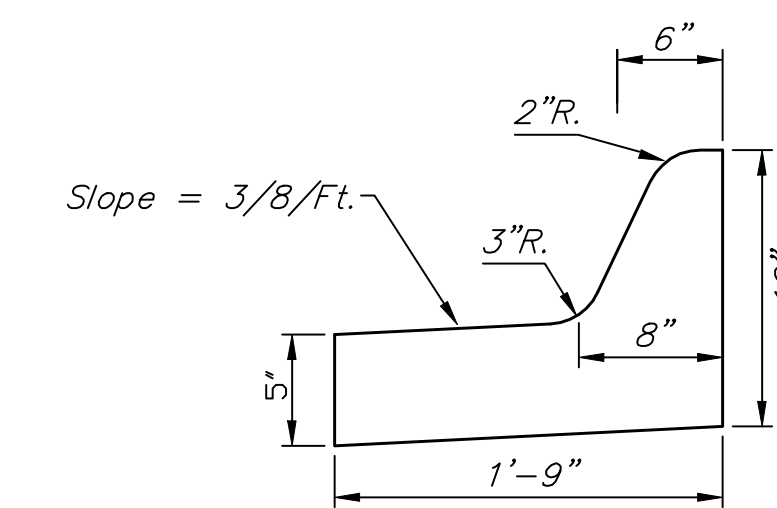
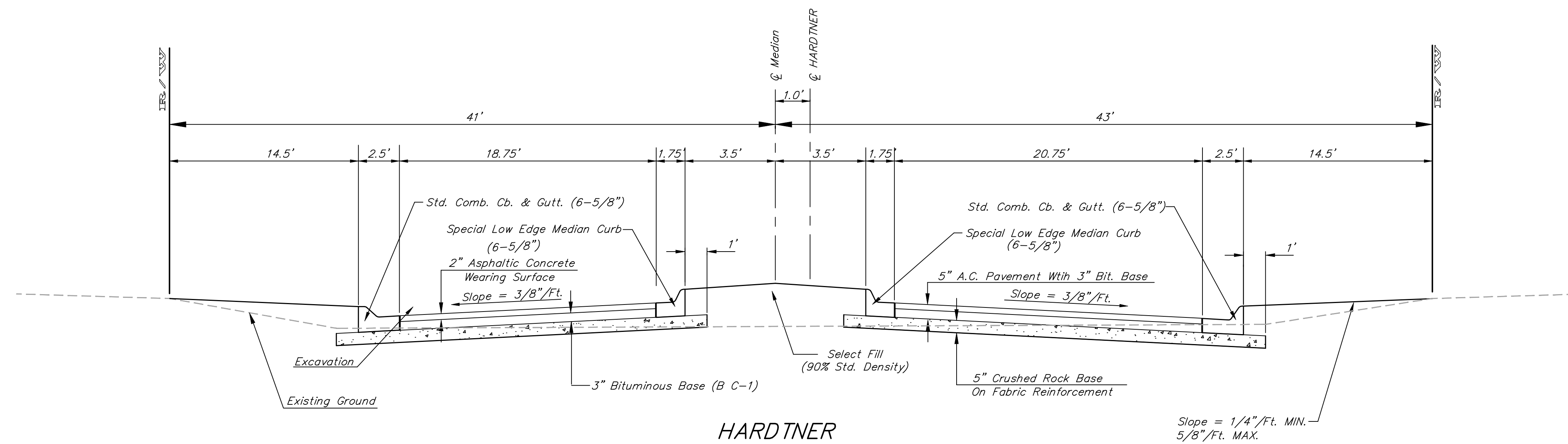
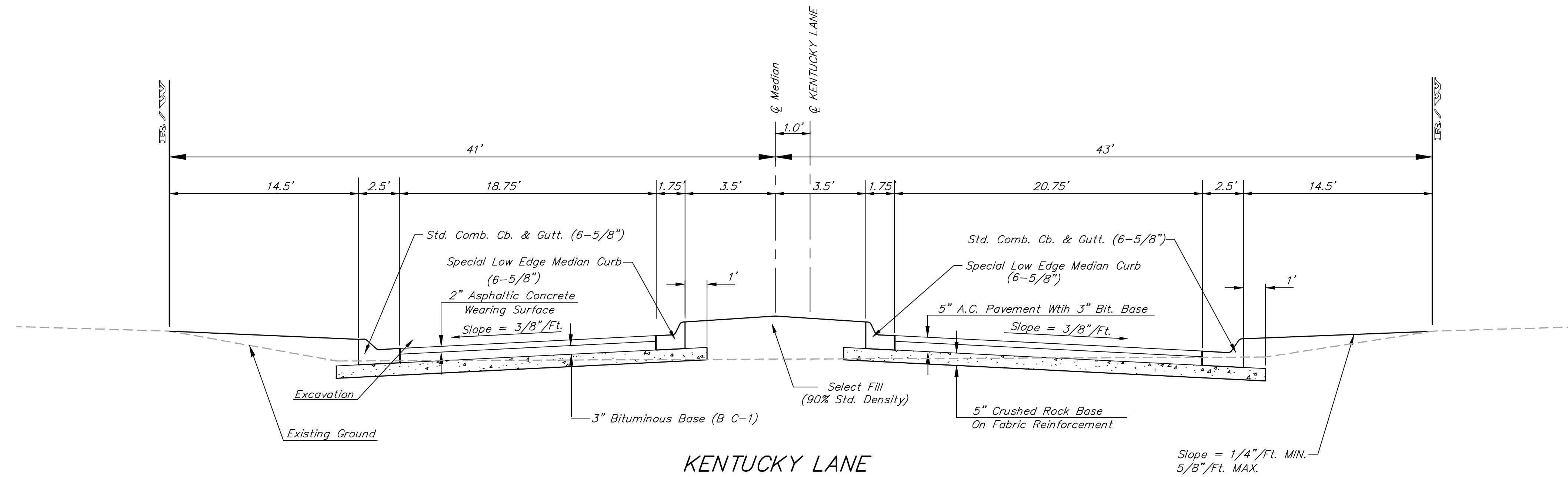


ENTRANCE DETAILS



*Median Curb Detail
(Low Edge)
Not to Scale*

Note: To be paid as Median Curb & Gutter (6 5/8")

	Highland Springs 3rd Addition - Phase III	
	Entrance Details	
<small>Baughman Company, P.A. 315 Ellis St. Wichita, KS 67211 P 316262-7271 F 316262-0149 ENGINEERING SURVEYING PLANNING LANDSCAPE ARCHITECTURE</small>		
PROJECT NUMBER 472-83780	DESIGN STAFF	DRAWN STAFF
REVISIONS:	APPROVED	DATE 5/21/06
SCALE NONE		SHEET 6 OF 31
<small>Highland Springs 3rd/Phase 3/entdetail.dwg</small>		