

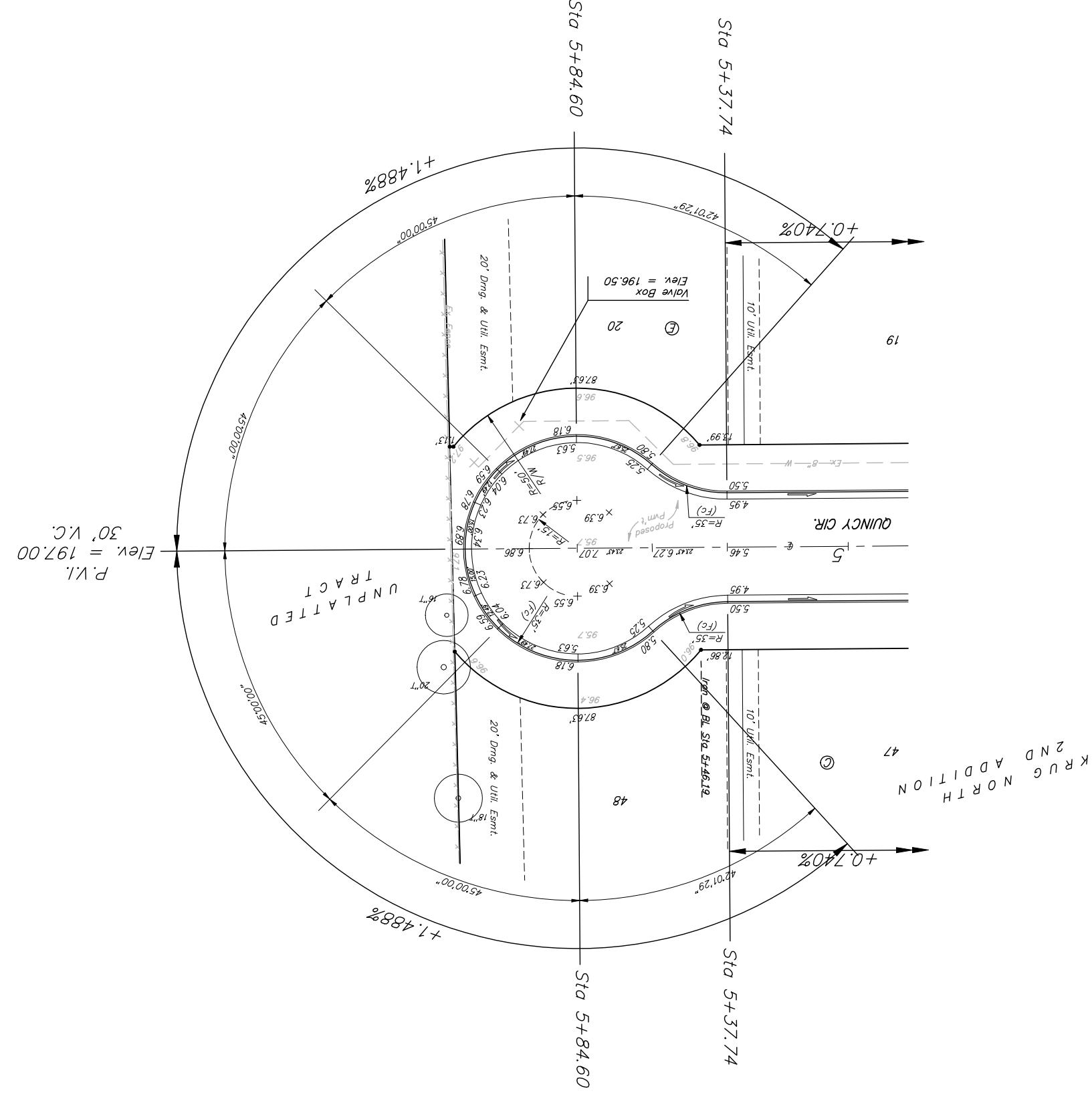
**QUINCY CIR.**  
 KRUG NORTH 2ND ADD. - PH. IV

**Baughman**  
 Engineering Company, P.A. 315 8th St. Waukegan, IL 60087  
 ENGINEERING | SURVEYING | PLANNING | LANDSCAPE ARCHITECTURE

DATE	04/06
APPROVED	
SCALE	Noted
SHEET	10 OF 35

05-12B449

NOTE:  
 ROLL TYPE CURB & GUTTER TO  
 BE CONSTRUCTED ON THE  
 PAVEMENT SHOWN ON THIS SHEET.  
 TOP OF CURB ELEVATIONS ARE  
 GIVEN FOR FULL HEIGHT CURB.



BENCHMARK:  
 BM #1: "□" Cut in middle of  
 N headwall of RCBC on 21st  
 St. North. 1004.3' W & 22.1'  
 N of SE Cor., SET/4, Sec. 2,  
 T-27-S, R-2-E.  
 Elev. = 173.23 City Datum

BM #2: "□" Cut at the SE  
 corner of the intersection of  
 Castle Rock & Castle Rock Ct.,  
 Krug North Addition.  
 Elev. = 183.50 City Datum

