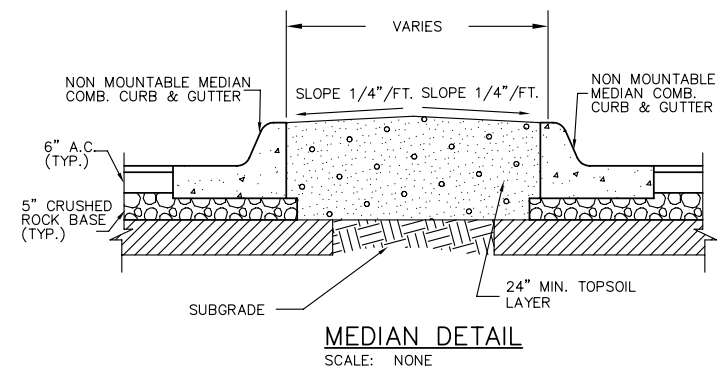
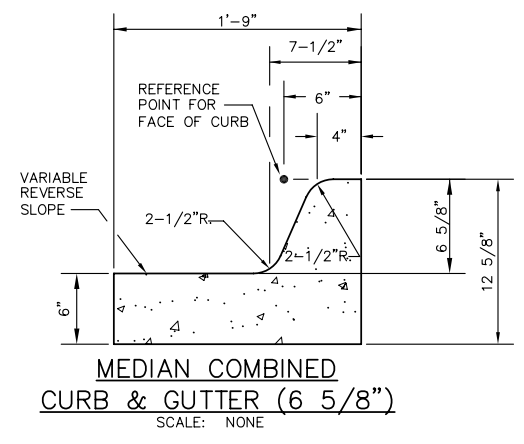


TYPICAL SECTION THRU GILBERT MEDIAN



PAVING PLANS  
**COUNTRY HOLLOW**  
GILBERT PHASE 1

**PAVING DETAILS**  
SHEET TITLE  
PROJECT NUMBER  
472-84350

DESIGN BY  
DFL  
DRAWN BY  
DMU/MUK  
CHECKED BY  
GJA

ISSUED  
MARCH 2006  
REVISED

SHEET NO.  
3 of 19