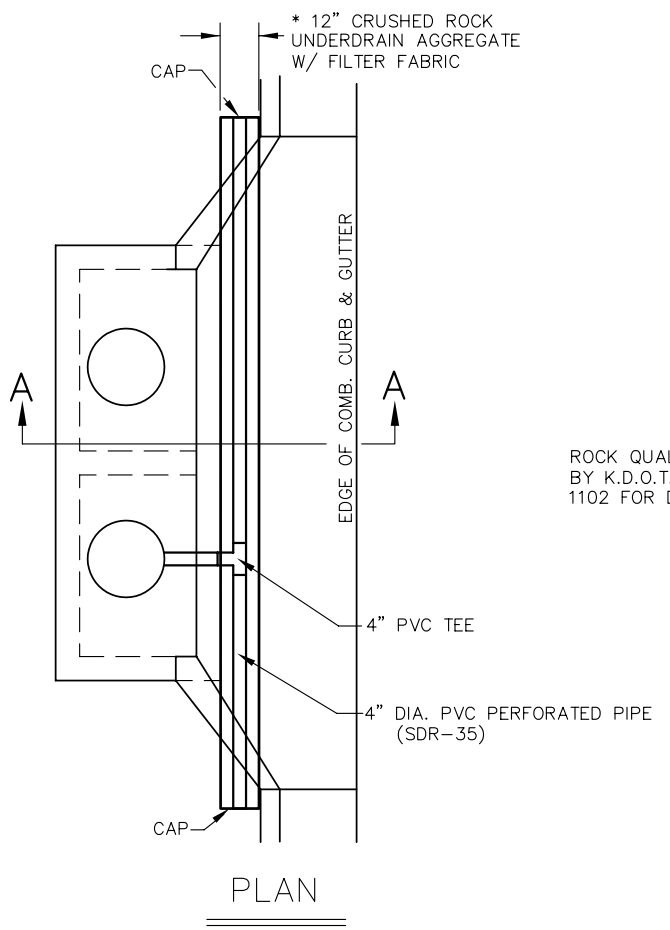


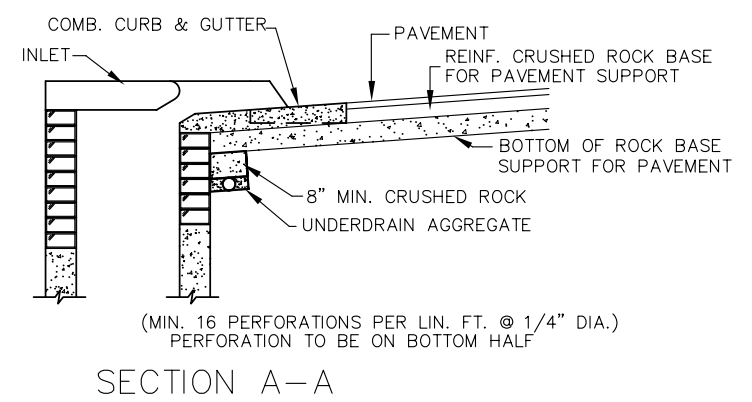
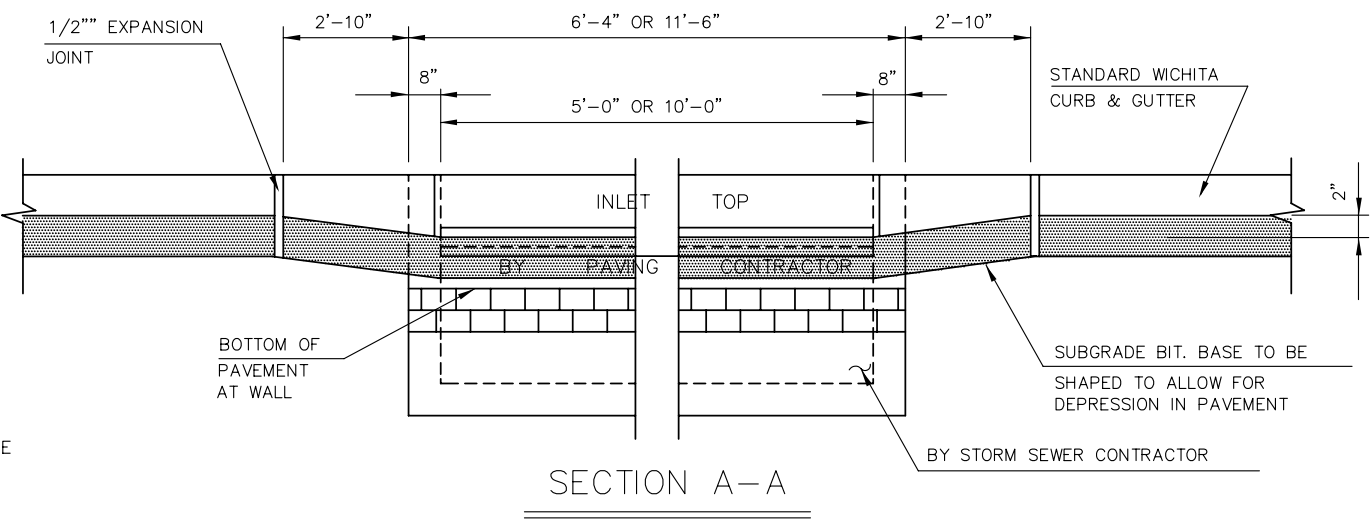
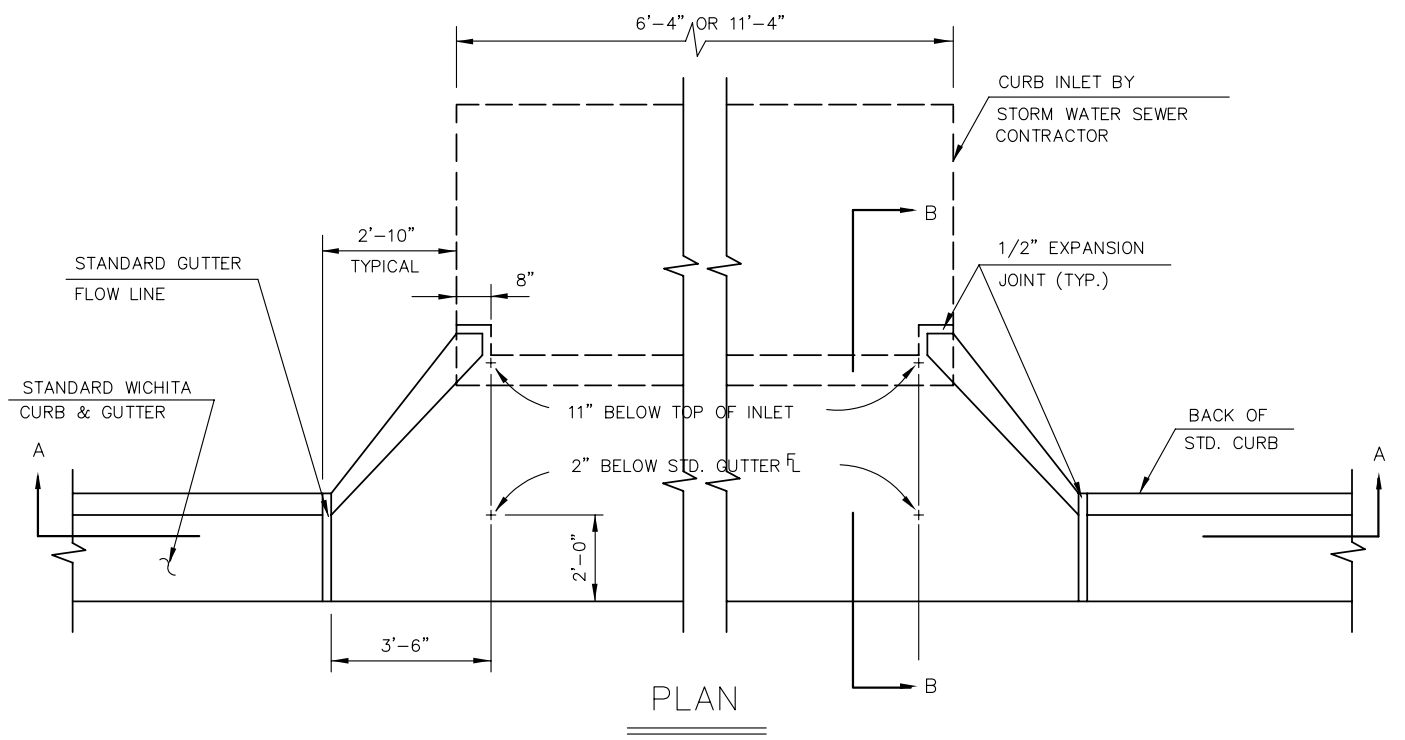
PAVING PLANS
COUNTRY HOLLOW
GILBERT PHASE 1



* UNDERDRAIN AGGREGATE PERCENT OF AGGREGATE RETAINED

| | |
|------|-----------|
| 1" | 0 |
| 3/4" | 0 to 10 |
| 3/8" | 45 to 80 |
| #4 | 90 to 100 |
| #8 | 95 to 100 |

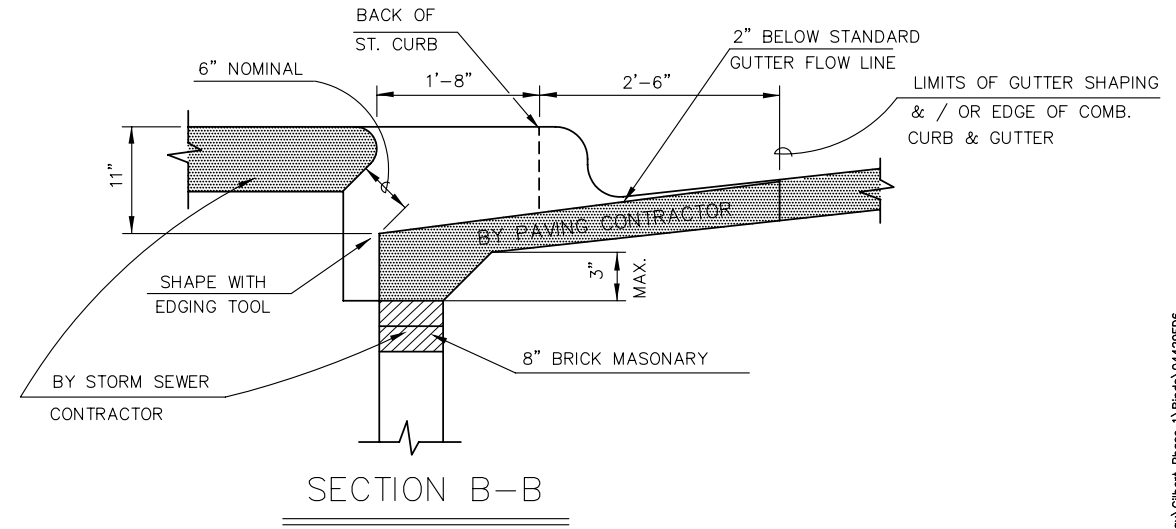
ROCK QUALITY SHALL CONFORM TO THE REQUIREMENTS SPECIFIED BY K.D.O.T. 1990 EDITION STANDARD SPECIFICATION SUBSECTION 1102 FOR DURABILITY CLASS 1.



NOTE: PLACE 4" PVC PERFORATED PIPE AT ALL DRAINAGE SUMP LOCATIONS. COST OF UNDERDRAIN SYSTEM TO BE INCIDENTAL TO THE REINFORCED CRUSHED ROCK SUBGRADE. INLET TYPE MAY VARY FROM THAT SHOWN.

GENERAL NOTES

1. USE THE CONCRETE MIX SPECIFIED FOR CITY OF WICHITA CONCRETE PAVEMENT. ALL EXPOSED EDGES SHALL BE FINISHED WITH AN EDGING TOOL.
2. TYPE 1A INLET HOOKUP WILL BE PAID EACH REGARDLESS OF SIZE.
3. ADDITIONAL CURB & GUTTER CONSTRUCTION NECESSARY TO CONNECT SET BACK INLET TO PAVEMENT WILL BE PAID FOR AT THE UNIT PRICE BID FOR EACH INLET



TYPE 1A INLET HOOKUP
(BY PAVING CONTRACTOR)

PAVEMENT UNDERDRAIN DETAIL

INLET DETAILS

SHEET TITLE

PROJECT NUMBER

472-84350

DESIGN BY

DMU/MUK

DRAWN BY

GJA

CHECKED BY

ISSUED

MARCH 2006

REVISED

SHEET NO.

6 of 19