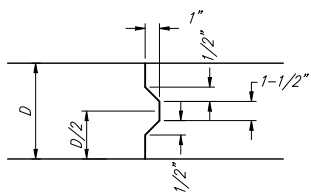
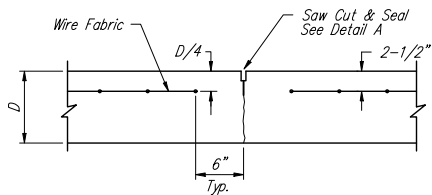


EXPANSION JOINT

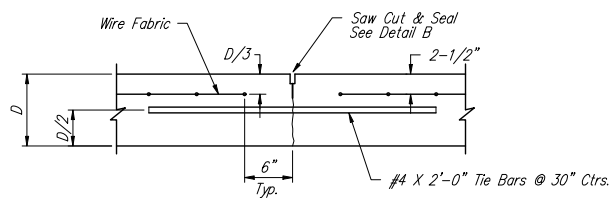
NOTE: Extra Thickness to be Subsidiary to Price of Square Yards Pavement



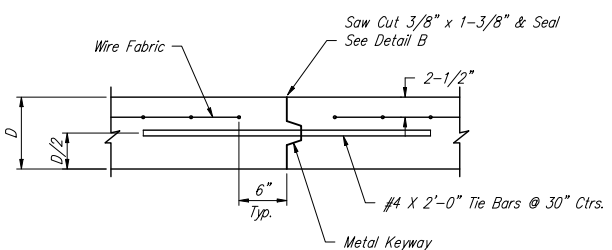
KEYWAY DETAIL



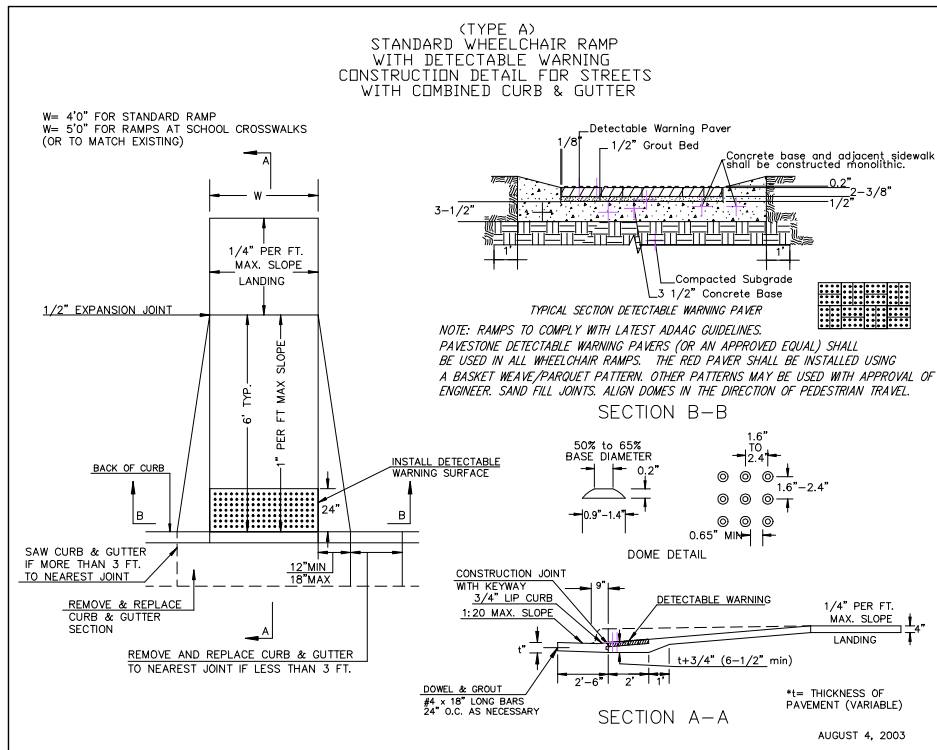
CONTRACTION JOINT DETAIL (C.J.)



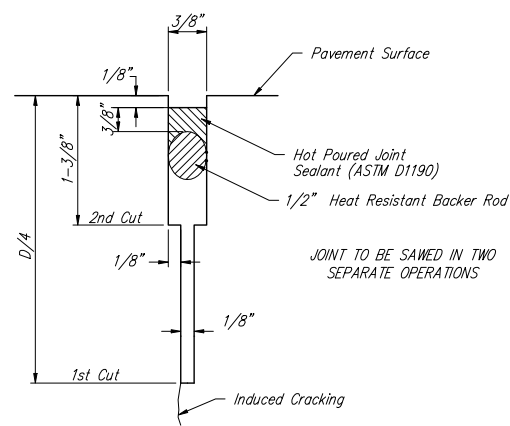
LONGITUDINAL JOINT DETAIL (L.J.)



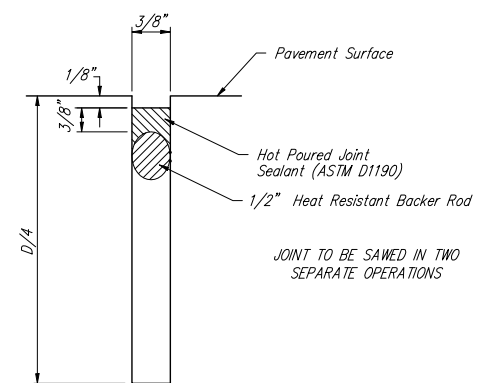
OPTIONAL LONGITUDINAL JOINT DETAIL (L.J.) (CONSTRUCTION JOINT)



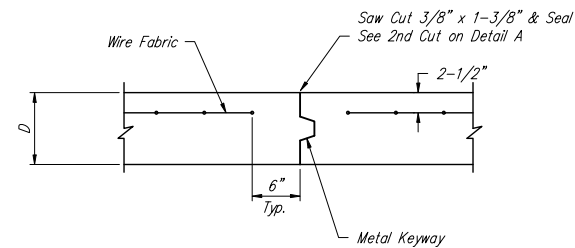
WHEELCHAIR RAMP DETAIL



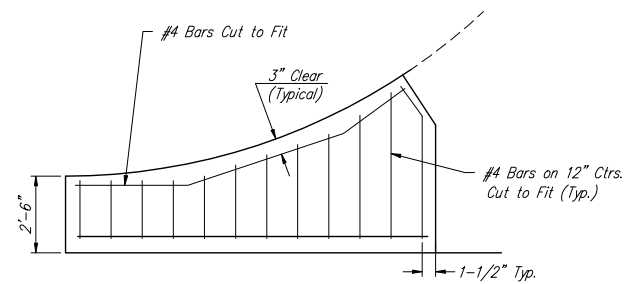
SAW JOINT DETAIL "A"



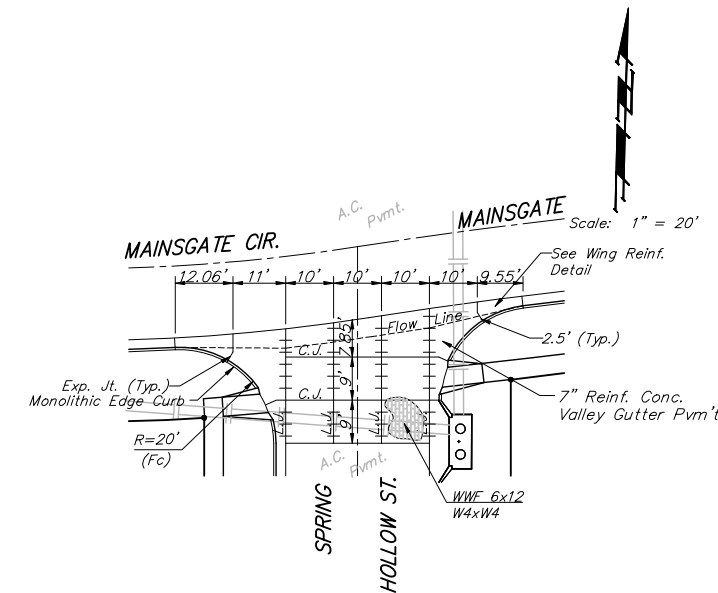
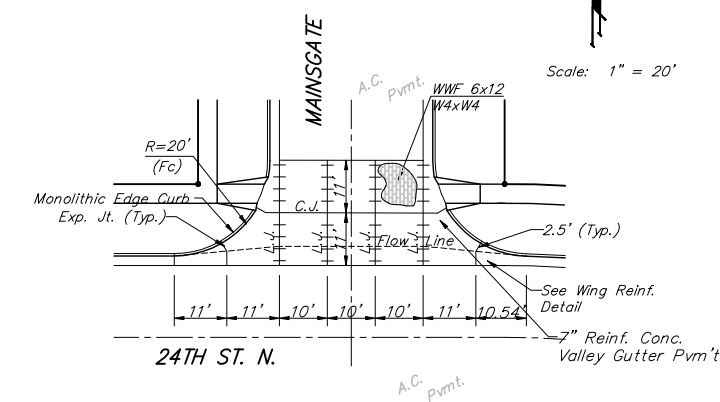
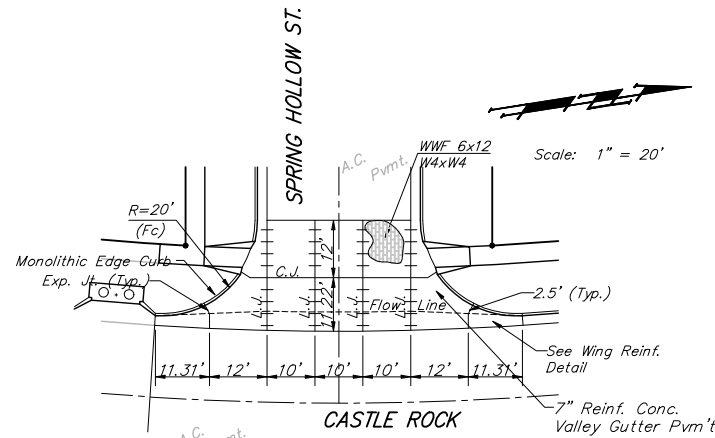
SAW JOINT DETAIL "B"



OPTIONAL CONTRACTION JOINT (CONSTRUCTION JOINT)



WING REINFORCING DETAIL



NOTE: 6" X 12" W4XW4 Wire Fabric Reinforcing Shall Be Placed So That The Wires With The 6" Spacing Will Run Parallel With The Longitudinal Joints.

Baughman		VALLEY GUTTER DETAILS	
Baughman Company, P.A. 315 Elm St. Waltham, MA 02154 P 316-262-7711 F 316-262-0149			
PROJECT NUMBER 472-84249	DESIGN STAFF	DRAWN STAFF	
REVISIONS:	APPROVED	DATE	01/06
	SCALE	NONE	
	SHEET	5 OF 39	
/Vgledat		05-09-E368	