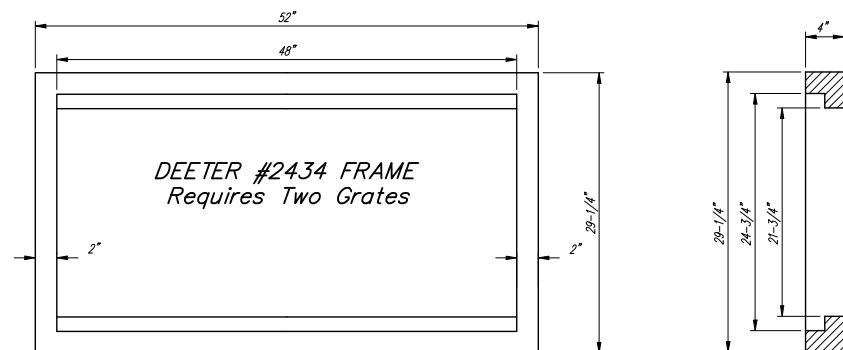


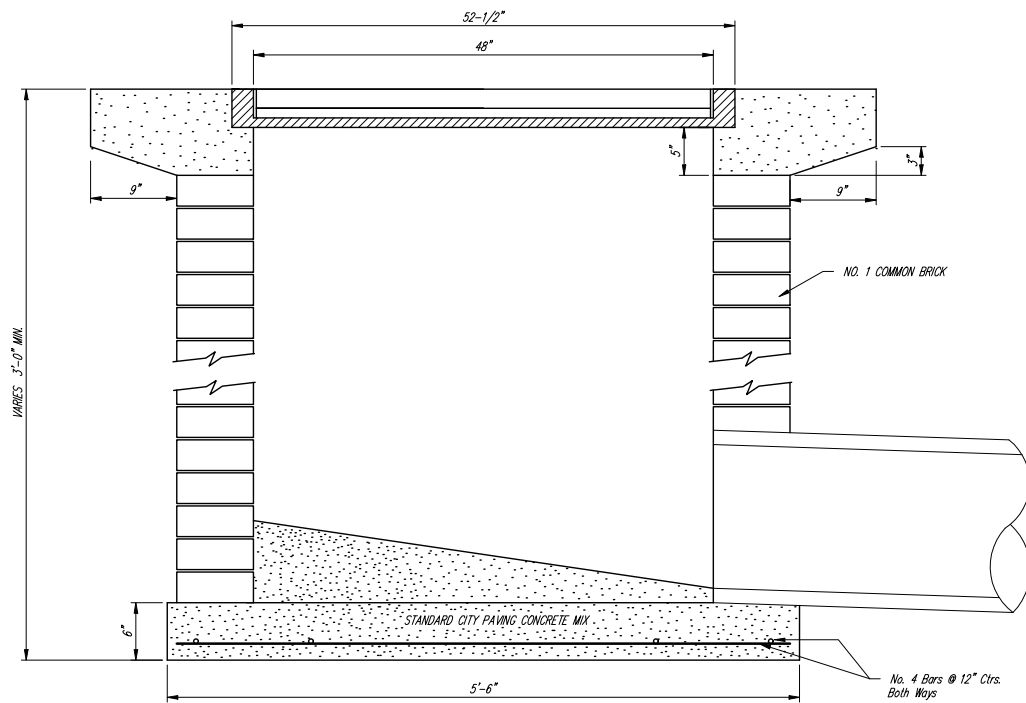
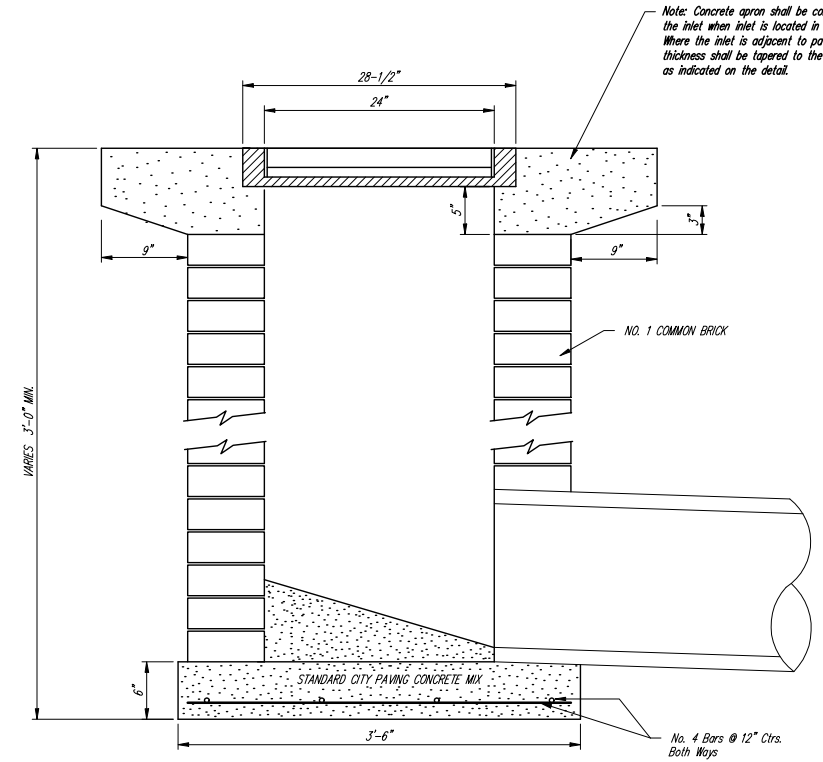
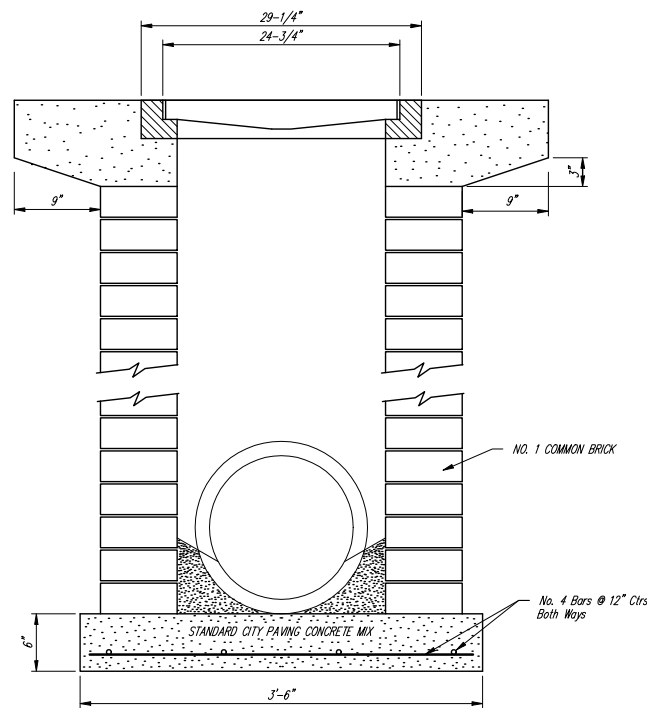
DEETER #2433 GRATE

24" x 24" Frame and Grate Detail

NOTE: Grates shall be imprinted on the top surface with "CITY OF WICHITA" using letters at least 1" in height. Other marking methods may be approved by the engineer.



Double 24" x 24" Frame Detail



		City of Wichita Standard	
		Drop Inlet Detail	
Baughman Company, P.A. 315 Elm St. Wichita, KS 67211 P 316-262-7271 F 316-262-0149			
ENGINEERING SURVEYING PLANNING LANDSCAPE ARCHITECTURE			
PROJECT NUMBER 472-64249	DESIGN C.O.W.	DRAWN STAFF	
REVISIONS:	APPROVED	DATE 01/06	
	SCALE NONE	SHEET	
		22 OF 39	
\\DropInlet2			