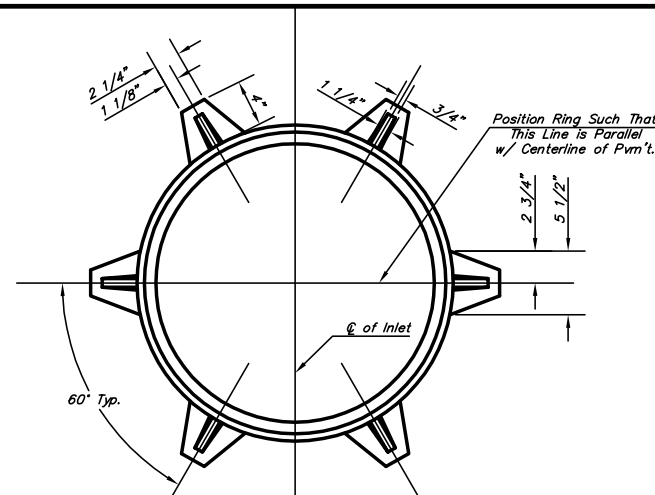


PLAN

*Left Side Shown Without Slab Reinforcing, Right Side Shown With Slab Reinforcing



MANHOLE RING AND COVER

Inlet Frame Weight = 180 lbs

*See City of Wichita Standard Manhole Ring and Cover Detail Sheet for Cover Details to Be Used With Inlet Frame.

PRECAST SLAB AND FLOOR REINFORCING

| MARK | SIZE | W = 4'-4" | | W = 5'-4" | | W = 6'-4" | | W = 7'-4" | | W = 8'-4" | |
|------|------|-----------|--------|-----------|--------|-----------|--------|-----------|--------|-----------|--------|
| | | NO. | LENGTH | NO. | LENGTH | NO. | LENGTH | NO. | LENGTH | NO. | LENGTH |
| a1 | #4 | 13 | 6'-7" | 13 | 8'-7" | 13 | 10'-7" | 13 | 12'-7" | 13 | 14'-7" |
| * a2 | #4 | 4 | 6'-0" | 4 | 8'-0" | 4 | 10'-0" | 4 | 12'-0" | 4 | 14'-0" |
| a3 | #4 | 23 | 4'-1" | 23 | 5'-1" | 23 | 6'-1" | 23 | 7'-1" | 23 | 8'-1" |
| b1 | #4 | 1 | 9'-9" | 1 | 9'-9" | 1 | 9'-9" | 1 | 9'-9" | 1 | 9'-9" |
| * b2 | #4 | 23 | 11'-1" | 29 | 11'-1" | 35 | 11'-1" | 41 | 11'-1" | 47 | 11'-1" |
| x1 | #4 | 16 | 3'-10" | 16 | 4'-2" | 16 | 4'-6" | 16 | 4'-10" | 16 | 5'-2" |

WALL REINFORCING

| MARK | SIZE | W = 4'-4" | | W = 5'-4" | | W = 6'-4" | | W = 7'-4" | | W = 8'-4" | |
|------|------|-----------|--------|-----------|--------|-----------|--------|-----------|--------|-----------|--------|
| | | NO. | LENGTH | NO. | LENGTH | NO. | LENGTH | NO. | LENGTH | NO. | LENGTH |
| w1 | #4 | ① | 11'-1" | ① | 11'-1" | ① | 11'-1" | ① | 11'-1" | ① | 11'-1" |
| w2 | #4 | ① | 4'-1" | ① | 5'-1" | ① | 6'-1" | ① | 7'-1" | ① | 8'-1" |
| w3 | #4 | 52 | ② | 56 | ② | 60 | ② | 64 | ② | 68 | ② |

* Field Bend or Cut Reinforcing as Required for Clearance.

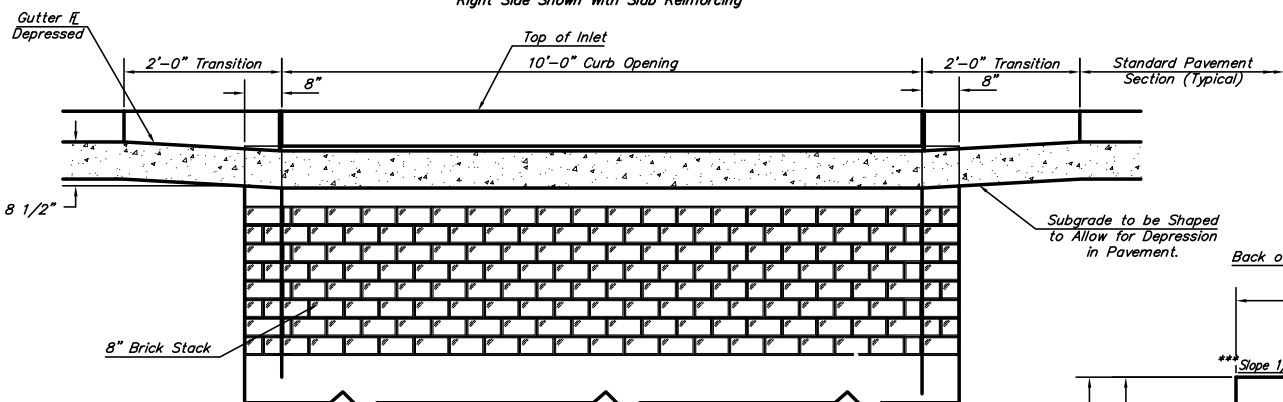
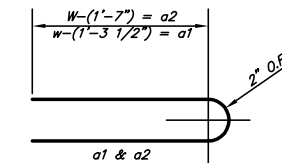
① 4 (H - 12") (H - 21") Rounded down to nearest 0.5"

② H - 3"

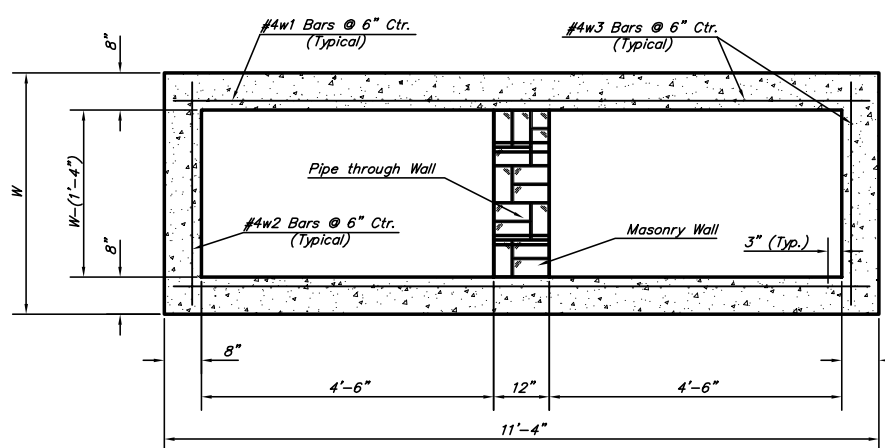
STANDARD CURB INLET PRECAST TOPS

| W | PRE-CAST TOP SIZE | PIPE SIZE | CU. YD. CONC. |
|-------|-------------------------|---------------|---------------|
| 4'-4" | 3'-8" x 11'-4" x 7 1/2" | 21" & SMALLER | 0.83± |
| 5'-4" | 4'-8" x 11'-4" x 7 1/2" | 24" & 30" | 1.09± |
| 6'-4" | 5'-8" x 11'-4" x 7 1/2" | 36" & 42" | 1.35± |
| 7'-4" | 6'-8" x 11'-4" x 7 1/2" | 48" & 54" | 1.61± |
| 8'-4" | 7'-8" x 11'-4" x 7 1/2" | 60" & 66" | 1.87± |

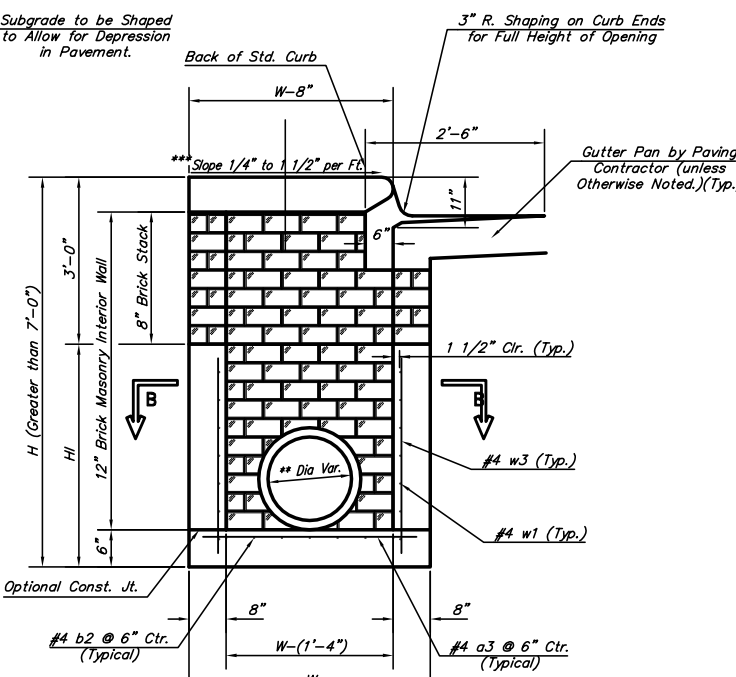
BENDING DIAGRAM



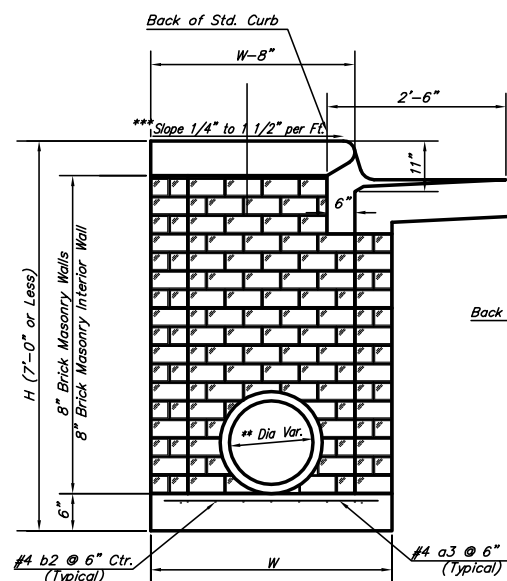
ELEVATION



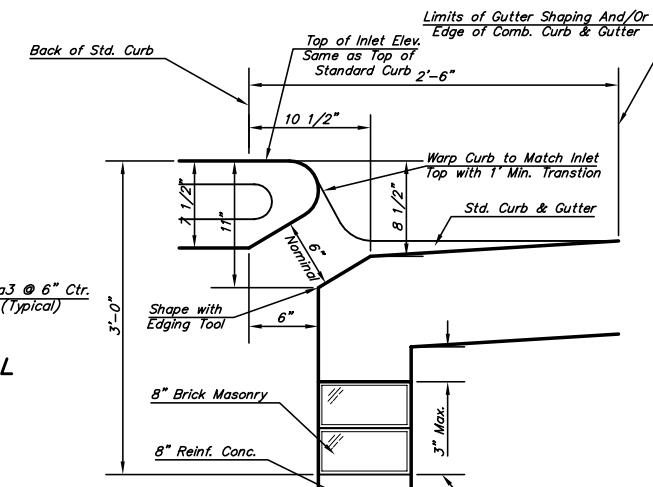
SECTION B-B



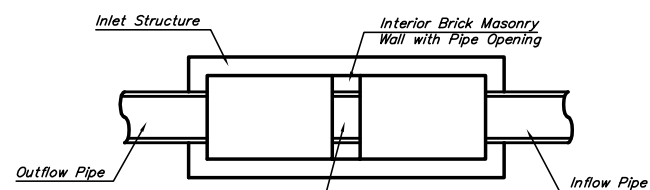
TYPICAL INLET SECTION AT CENTER WALL (REINFORCED CONCRETE WALLS)



TYPICAL INLET SECTION AT CENTER WALL (MASONRY WALLS)

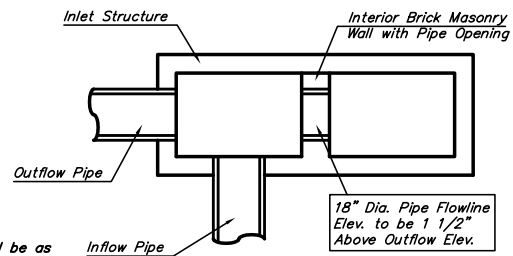


SECTION C-C



CASE I

Pipe Size to be the Same as Outlet Pipe Size. Flowline Elev. to be Average of Lowest Inflow Pipe Elev. and Outflow Pipe Elev.

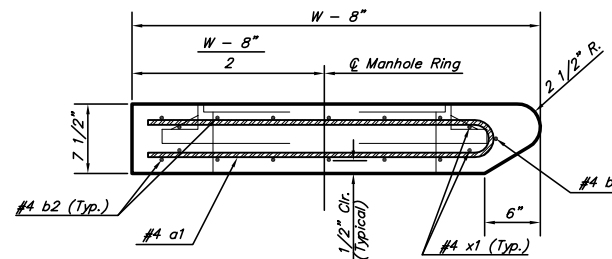


CASE II

NOTE:

Center Wall Pipe Size shall be as Specified in Inlet Construction Notes on the Plan/Profile Sheets for those Cases not Shown Here.

18" Dia. Pipe Flowline Elev. to be 1 1/2" Above Outflow Elev.



SECTION A-A

NOTES:

** A center wall opening shall be provided by means of a section of reinforced concrete pipe. See Case I and Case II below.

*** Slope of inlet tops to match sidewalk of parking slopes within limits indicated

THE CITY OF WICHITA
CITY ENGINEER'S OFFICE
CITY HALL - SEVENTH FLOOR
455 NORTH MAIN STREET
WICHITA, KANSAS 67202
(316) 268-4501
(316) 268-4114 FAX

STANDARD TYPE 1 CURB INLET
OPENING = 6"x10'-0"

| | |
|-----------------------------|------------------|
| PROJECT NUMBER 472-84285 | OCA # 7659665 |
| DATE MAR 96 | SHEET 14 OF 32 |