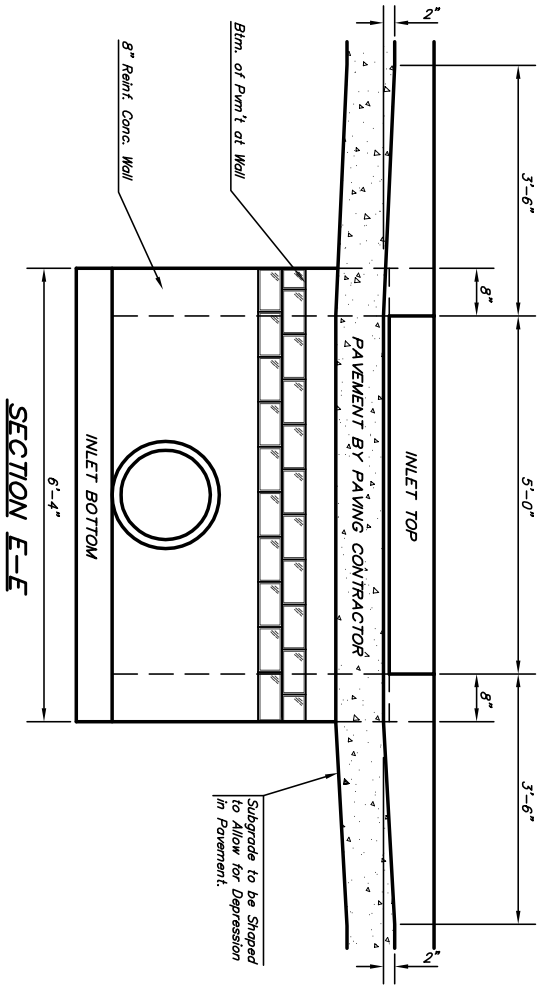


NOTE:
Inlet Top Reinforcing shall be Spaced on 6" Max. Centers. Inlet Lids Shall be Notched Out as Indicated to Facilitate Construction of Curb.

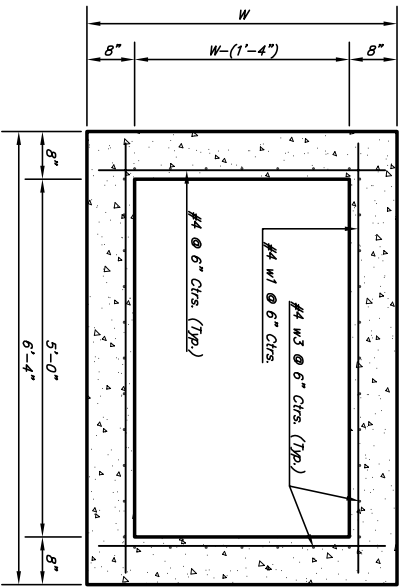
NOTE:
Concrete Tops to be installed on thin mortar cushion to insure full support along brick walls. Concrete tops may be cast in place or precast. Concrete used for inlet construction shall be concrete pavement mix with air entrainment.

NOTE:
Expansion Joint Only in Curb Area With Concrete Pavement.

PLAN

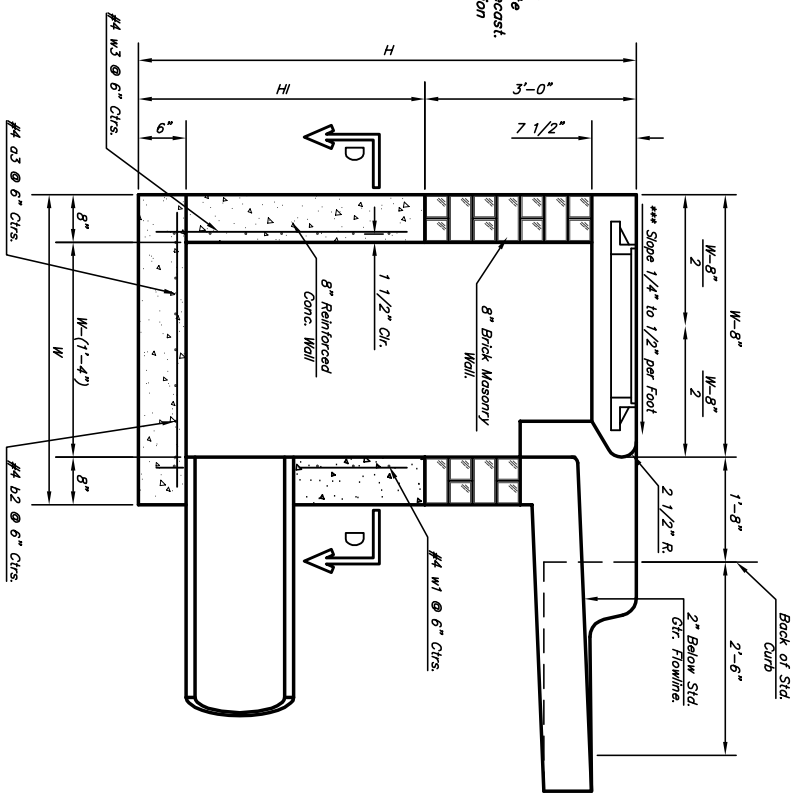


SECTION E-E



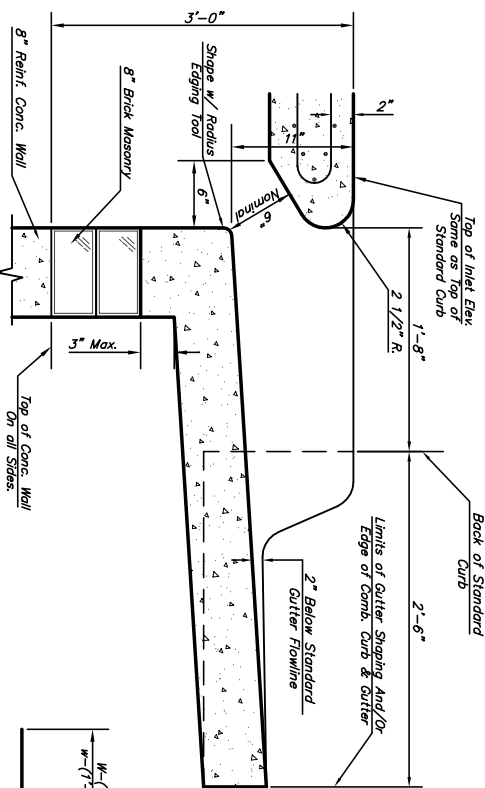
SECTION D-D

NOTE:
Contractor shall have the option of constructing 8" brick masonry walls between the concrete inlet base and top on this inlet when W=6'-4" and H=7'-0" or less.
Additional curb and gutter construction necessary to connect set-back inlet to pavement will be paid for at the unit price bid for each inlet hookup.
Inlet inlets shall be sloped with 8 sock sand mix concrete to create flow channels and to increase hydraulic efficiency such that the inlet will be self-cleaning between all inlet and/or outlet pipes.
The ends of all pipes installed in inlets shall be cut off flush with the inside face of the inlet wall.



NOTE: Slope of Inlet Pipe to Match Sidewalk or Parking Slopes within Limits Indicated.

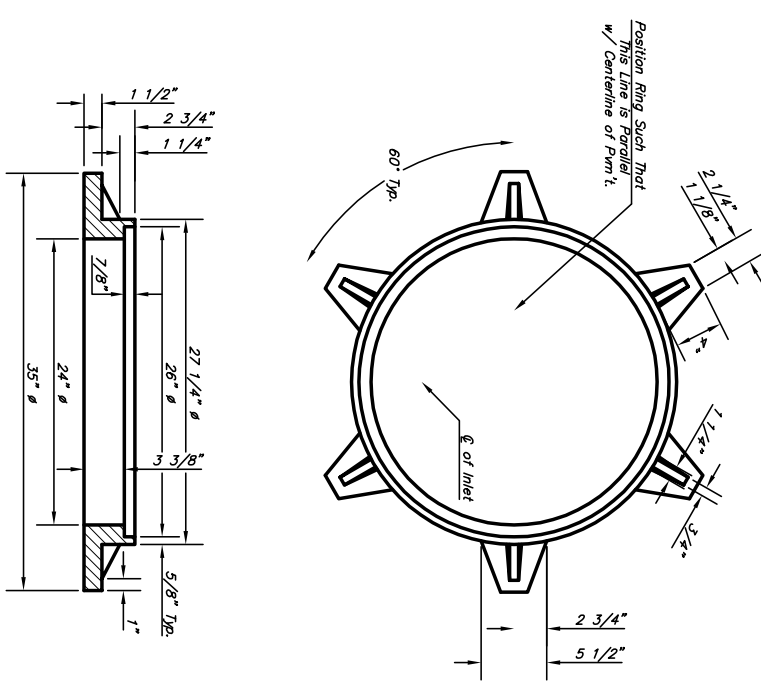
SECTION A-A



SECTION B-B

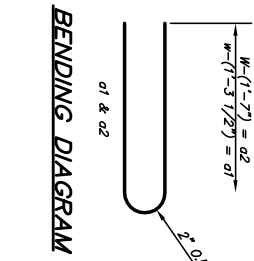
PRECAST SLAB AND FLOOR REINFORCING											
MARK	SIZE	NO.	LENGTH	NO.	LENGTH	NO.	LENGTH	NO.	LENGTH	NO.	LENGTH
			W = 4'-4"			W = 5'-4"			W = 6'-4"		
W1	#4	1	6'-1"	1	6'-1"	1	6'-1"	1	6'-1"	1	6'-1"
W2	#4	1	4'-1"	1	5'-1"	1	6'-1"	1	7'-1"	1	8'-1"
W3	#4	2	3	3	4	4	4	4	4	4	4
			W = 7'-4"			W = 8'-4"			W = 9'-4"		
W1	#4	1	6'-1"	1	6'-1"	1	6'-1"	1	6'-1"	1	6'-1"
W2	#4	1	4'-1"	1	5'-1"	1	6'-1"	1	7'-1"	1	8'-1"
W3	#4	2	3	3	4	4	4	4	4	4	4

* Field Bend or Cut Reinforcing as Required for Clearance.
① 4 (H - 12) (H - 21) Rounded down to nearest 0.5"
② H - 3"

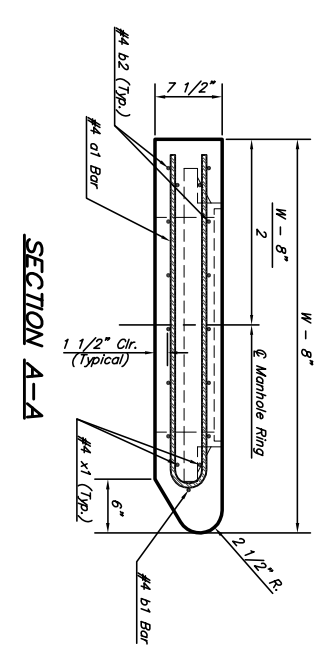


MANHOLE RING AND COVER

Weight = 180 Lbs.
See City of Wichita Standard Manhole Ring and Cover Detail Sheet for Cover Details to Be Used With Inlet Frame.



BENDING DIAGRAM



SECTION A-A

STANDARD CURB INLET PRECAST TOPS			
W	PRE-CAST TOP SIZE	PIPE SIZE	CU. YD. CONC.
4'-4"	3'-8" x 6'-4" x 7 1/2"	21" & SMALLER	0.384
5'-4"	4'-0" x 6'-4" x 7 1/2"	24" & 30"	0.514
6'-4"	5'-8" x 6'-4" x 7 1/2"	36" & 42"	0.644
7'-4"	6'-8" x 6'-4" x 7 1/2"	48" & 54"	0.774
8'-4"	7'-8" x 6'-4" x 7 1/2"	60" & 66"	0.904

THE CITY OF WICHITA

CITY ENGINEER'S OFFICE
CITY HALL - SEVENTH FLOOR
WICHITA, KANSAS 67202
(316) 251-1100 FAX
(316) 251-1141 FAX

STANDARD TYPE 1-A

CURB INLET

OPENING = 6"X5'-0"

PROJECT NUMBER
4.72-8/139

DATE
MAR 96

COA #
765920

SHEET 21 OF 43