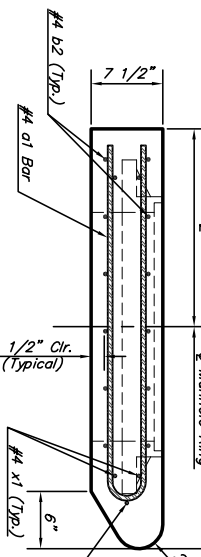
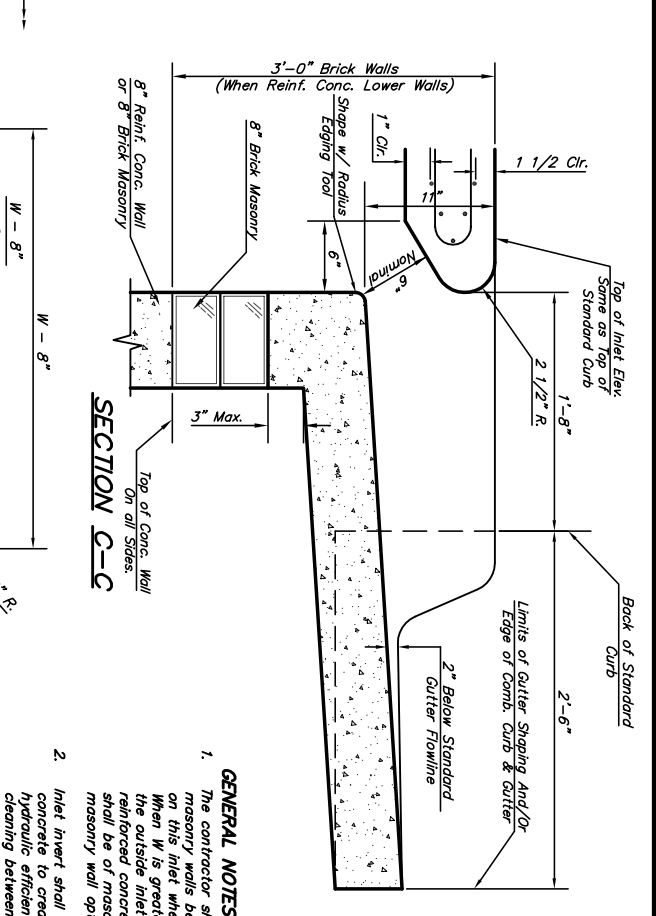
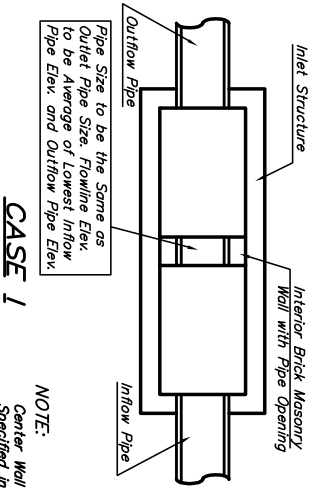


SECTION B-B

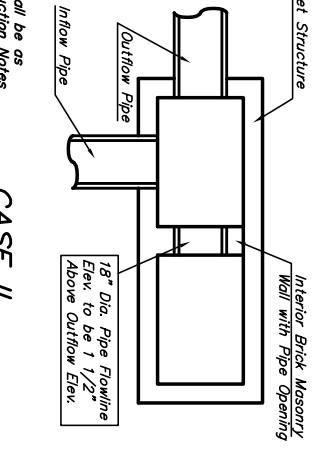


SECTION A-A



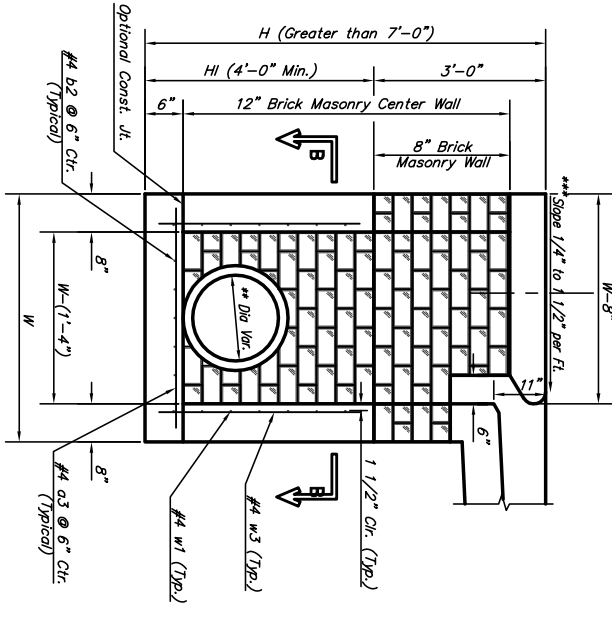
CASE I

NOTE: Center Wall Pipe Size shall be as Specified in Inlet Construction Notes on the Plan/Profile Sheets for those Cases not Shown Here.

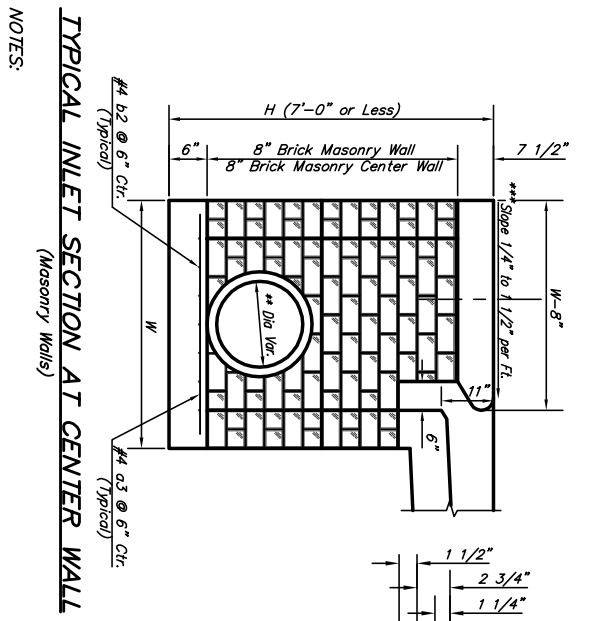


CASE II

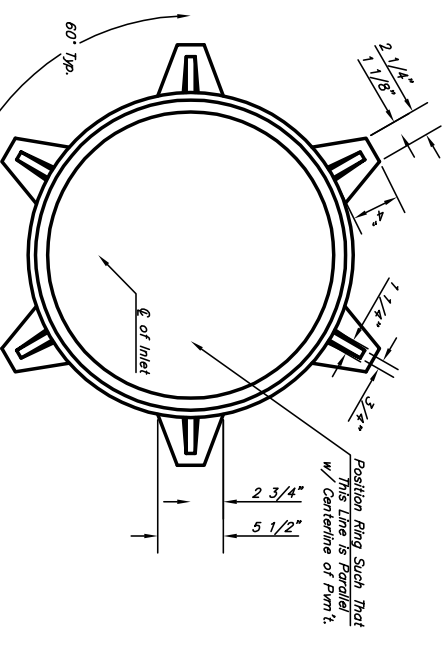
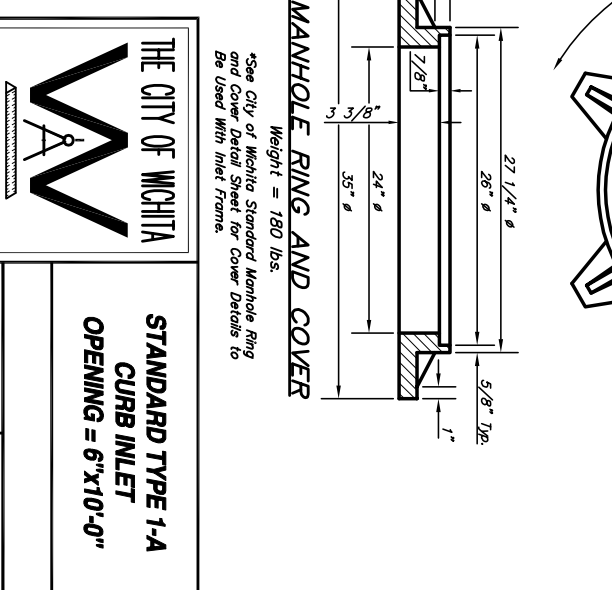
NOTE: Center Wall Pipe Size shall be as Specified in Inlet Construction Notes on the Plan/Profile Sheets for those Cases not Shown Here.



TYPICAL INLET SECTION AT CENTER WALL



TYPICAL INLET SECTION AT CENTER WALL



- GENERAL NOTES:**
- The contractor shall be required to construct 8" brick masonry between the curb and concrete inlet base 6" to top of this inlet. The concrete inlet base shall be 6" to top. When W is greater than 6'-4" and H is less than 7'-0" the outside inlet walls below the brick stock shall be reinforced concrete construction and the center wall shall be of masonry construction as shown for the masonry wall option.
 - Inlet invert shall be shopped with 8 sock sand mix concrete to create flow channels and to increase hydraulic efficiency such that the inlet will be self cleaning between all inlet and/or outlet pipes.
 - Concrete tops to be installed on thin mortar cushion to insure full support along brick walls. Concrete tops may be cast in place or precast. Concrete used for inlet construction shall be concrete pavement mix.
 - Inlet top reinforcing shall be spaced on 6" max. centers. Inlet lids shall be notched out as indicated to facilitate construction of curb. Bars in inlet top to be field bent or cut to clear manhole ring.
 - The ends of all pipes installed in inlets shall be cut off flush with the inside face of the inlet wall.

STANDARD CURB INLET PRECAST TOPS

W	PRE-CAST TOP SIZE	PIPE SIZE	CL. NO. CONC.
4'-4"	3'-6" 11'-4" 7 1/2"	21" & SMALLER	0.834
5'-4"	4'-6" 11'-4" 7 1/2"	24" & 30"	1.094
6'-4"	5'-6" 11'-4" 7 1/2"	36" & 42"	1.354
7'-4"	6'-8" 11'-4" 7 1/2"	48" & 54"	1.614
8'-4"	7'-9" 11'-4" 7 1/2"	60" & 66"	1.874

BENDING DIAGRAM

PRECAST SLAB AND FLOOR REINFORCING

MARK	SIZE	NO.	LENGTH	NO.	LENGTH	NO.	LENGTH	NO.	LENGTH	NO.	LENGTH
*01	#4	13	6'-7"	13	8'-7"	13	10'-7"	13	12'-7"	13	14'-7"
*02	#4	4	6'-0"	4	8'-0"	4	10'-0"	4	12'-0"	4	14'-0"
*03	#4	23	4'-1"	23	5'-1"	23	6'-1"	23	7'-1"	23	8'-1"
*04	#4	23	4'-1"	23	5'-1"	23	6'-1"	23	7'-1"	23	8'-1"
*05	#4	23	4'-1"	23	5'-1"	23	6'-1"	23	7'-1"	23	8'-1"
*06	#4	23	4'-1"	23	5'-1"	23	6'-1"	23	7'-1"	23	8'-1"
*07	#4	23	4'-1"	23	5'-1"	23	6'-1"	23	7'-1"	23	8'-1"
*08	#4	23	4'-1"	23	5'-1"	23	6'-1"	23	7'-1"	23	8'-1"
*09	#4	23	4'-1"	23	5'-1"	23	6'-1"	23	7'-1"	23	8'-1"
*10	#4	23	4'-1"	23	5'-1"	23	6'-1"	23	7'-1"	23	8'-1"
*11	#4	23	4'-1"	23	5'-1"	23	6'-1"	23	7'-1"	23	8'-1"
*12	#4	23	4'-1"	23	5'-1"	23	6'-1"	23	7'-1"	23	8'-1"
*13	#4	23	4'-1"	23	5'-1"	23	6'-1"	23	7'-1"	23	8'-1"
*14	#4	23	4'-1"	23	5'-1"	23	6'-1"	23	7'-1"	23	8'-1"
*15	#4	23	4'-1"	23	5'-1"	23	6'-1"	23	7'-1"	23	8'-1"
*16	#4	23	4'-1"	23	5'-1"	23	6'-1"	23	7'-1"	23	8'-1"
*17	#4	23	4'-1"	23	5'-1"	23	6'-1"	23	7'-1"	23	8'-1"
*18	#4	23	4'-1"	23	5'-1"	23	6'-1"	23	7'-1"	23	8'-1"
*19	#4	23	4'-1"	23	5'-1"	23	6'-1"	23	7'-1"	23	8'-1"
*20	#4	23	4'-1"	23	5'-1"	23	6'-1"	23	7'-1"	23	8'-1"
*21	#4	23	4'-1"	23	5'-1"	23	6'-1"	23	7'-1"	23	8'-1"
*22	#4	23	4'-1"	23	5'-1"	23	6'-1"	23	7'-1"	23	8'-1"
*23	#4	23	4'-1"	23	5'-1"	23	6'-1"	23	7'-1"	23	8'-1"
*24	#4	23	4'-1"	23	5'-1"	23	6'-1"	23	7'-1"	23	8'-1"
*25	#4	23	4'-1"	23	5'-1"	23	6'-1"	23	7'-1"	23	8'-1"
*26	#4	23	4'-1"	23	5'-1"	23	6'-1"	23	7'-1"	23	8'-1"
*27	#4	23	4'-1"	23	5'-1"	23	6'-1"	23	7'-1"	23	8'-1"
*28	#4	23	4'-1"	23	5'-1"	23	6'-1"	23	7'-1"	23	8'-1"
*29	#4	23	4'-1"	23	5'-1"	23	6'-1"	23	7'-1"	23	8'-1"
*30	#4	23	4'-1"	23	5'-1"	23	6'-1"	23	7'-1"	23	8'-1"
*31	#4	23	4'-1"	23	5'-1"	23	6'-1"	23	7'-1"	23	8'-1"
*32	#4	23	4'-1"	23	5'-1"	23	6'-1"	23	7'-1"	23	8'-1"
*33	#4	23	4'-1"	23	5'-1"	23	6'-1"	23	7'-1"	23	8'-1"
*34	#4	23	4'-1"	23	5'-1"	23	6'-1"	23	7'-1"	23	8'-1"
*35	#4	23	4'-1"	23	5'-1"	23	6'-1"	23	7'-1"	23	8'-1"
*36	#4	23	4'-1"	23	5'-1"	23	6'-1"	23	7'-1"	23	8'-1"
*37	#4	23	4'-1"	23	5'-1"	23	6'-1"	23	7'-1"	23	8'-1"
*38	#4	23	4'-1"	23	5'-1"	23	6'-1"	23	7'-1"	23	8'-1"
*39	#4	23	4'-1"	23	5'-1"	23	6'-1"	23	7'-1"	23	8'-1"
*40	#4	23	4'-1"	23	5'-1"	23	6'-1"	23	7'-1"	23	8'-1"
*41	#4	23	4'-1"	23	5'-1"	23	6'-1"	23	7'-1"	23	8'-1"
*42	#4	23	4'-1"	23	5'-1"	23	6'-1"	23	7'-1"	23	8'-1"
*43	#4	23	4'-1"	23	5'-1"	23	6'-1"	23	7'-1"	23	8'-1"
*44	#4	23	4'-1"	23	5'-1"	23	6'-1"	23	7'-1"	23	8'-1"
*45	#4	23	4'-1"	23	5'-1"	23	6'-1"	23	7'-1"	23	8'-1"
*46	#4	23	4'-1"	23	5'-1"	23	6'-1"	23	7'-1"	23	8'-1"
*47	#4	23	4'-1"	23	5'-1"	23	6'-1"	23	7'-1"	23	8'-1"
*48	#4	23	4'-1"	23	5'-1"	23	6'-1"	23	7'-1"	23	8'-1"
*49	#4	23	4'-1"	23	5'-1"	23	6'-1"	23	7'-1"	23	8'-1"
*50	#4	23	4'-1"	23	5'-1"	23	6'-1"	23	7'-1"	23	8'-1"
*51	#4	23	4'-1"	23	5'-1"	23	6'-1"	23	7'-1"	23	8'-1"
*52	#4	23	4'-1"	23	5'-1"	23	6'-1"	23	7'-1"	23	8'-1"
*53	#4	23	4'-1"	23	5'-1"	23	6'-1"	23	7'-1"	23	8'-1"
*54	#4	23	4'-1"	23	5'-1"	23	6'-1"	23	7'-1"	23	8'-1"
*55	#4	23	4'-1"	23	5'-1"	23	6'-1"	23	7'-1"	23	8'-1"
*56	#4	23	4'-1"	23	5'-1"	23	6'-1"	23	7'-1"	23	8'-1"
*57	#4	23	4'-1"	23	5'-1"	23	6'-1"	23	7'-1"	23	8'-1"
*58	#4	23	4'-1"	23	5'-1"	23	6'-1"	23	7'-1"	23	8'-1"
*59	#4	23	4'-1"	23	5'-1"	23	6'-1"	23	7'-1"	23	8'-1"
*60	#4	23	4'-1"	23	5'-1"	23	6'-1"	23	7'-1"	23	8'-1"
*61	#4	23	4'-1"	23	5'-1"	23	6'-1"	23	7'-1"	23	8'-1"
*62	#4	23	4'-1"	23	5'-1"	23	6'-1"	23	7'-1"	23	8'-1"
*63	#4	23	4'-1"	23	5'-1"	23	6'-1"	23	7'-1"	23	8'-1"
*64	#4	23	4'-1"	23	5'-1"	23	6'-1"	23	7'-1"	23	8'-1"
*65	#4	23	4'-1"	23	5'-1"	23	6'-1"	23	7'-1"	23	8'-1"
*66	#4	23	4'-1"	23	5'-1"	23	6'-1"	23	7'-1"	23	8'-1"
*67	#4	23	4'-1"	23	5'-1"	23	6'-1"	23	7'-1"	23	8'-1"
*68	#4	23	4'-1"	23	5'-1"	23	6'-1"	23	7'-1"	23	8'-1"
*69	#4	23	4'-1"	23	5'-1"	23	6'-1"	23	7'-1"	23	8'-1"
*70	#4	23	4'-1"	23	5'-1"	23	6'-1"	23	7'-1"	23	8'-1"
*71	#4	23	4'-1"	23	5'-1"	23	6'-1"	23	7'-1"	23	8'-1"
*72	#4	23	4'-1"	23	5'-1"	23	6'-1"	23	7'-1"	23	8'-1"
*73	#4	23	4'-1"	23	5'-1"	23	6'-1"	23	7'-1"	23	8'-1"
*74	#4	23	4'-1"	23	5'-1"	23	6'-1"	23	7'-1"	23	8'-1"
*75	#4	23	4'-1"	23	5'-1"	23	6'-1"	23	7'-1"	23	8'-1"
*76	#4	23	4'-1"	23	5'-1"	23	6'-1"	23	7'-1"	23	8'-1"
*77	#4	23	4'-1"	23	5'-1"	23	6'-1"	23	7'-1"	23	8'-1"
*78	#4	23	4'-1"	23	5'-1"	23	6'-1"	23	7'-1"		