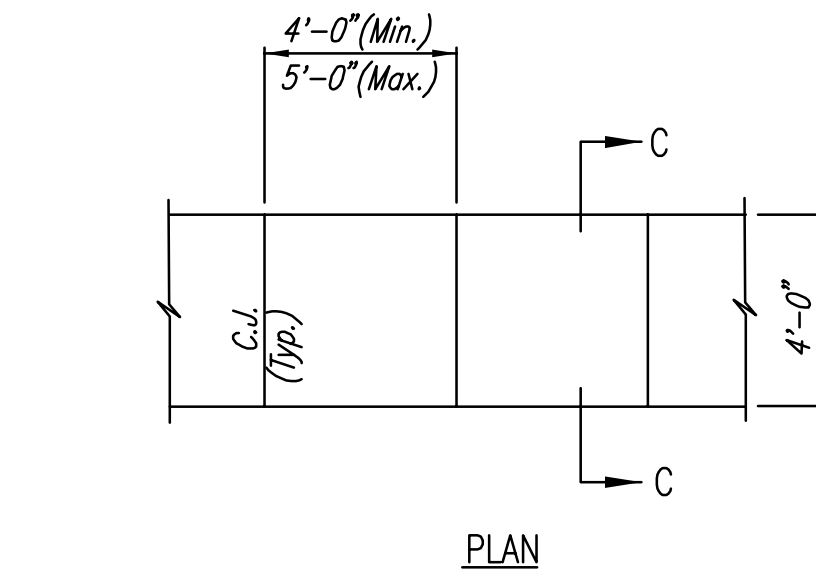
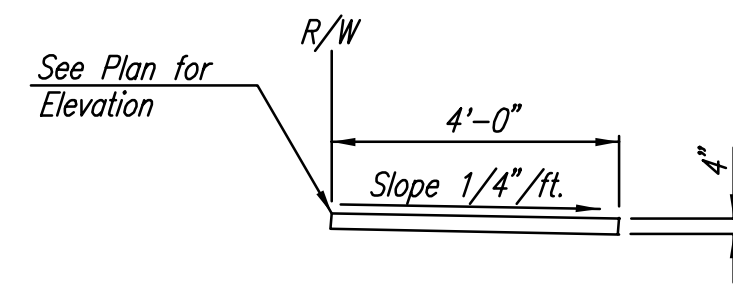


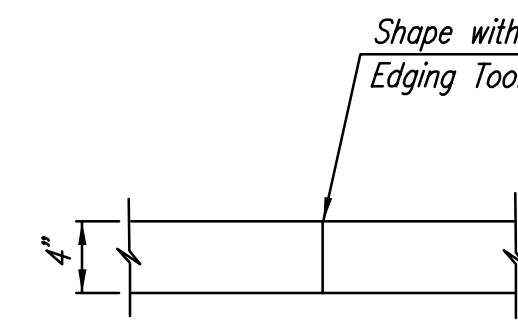
COMPACTED FILL DETAIL
WHERE SIDEWALK IS CONSTRUCTED IN FILL
(See Plan Sheets for Locations)



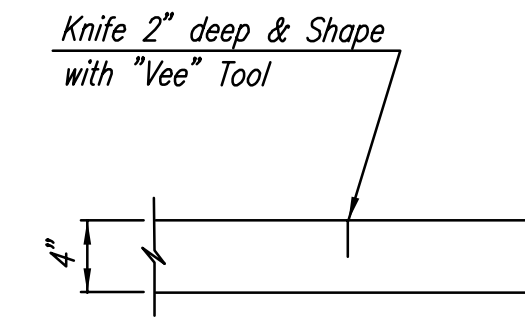
PLAN



SECTION C-C



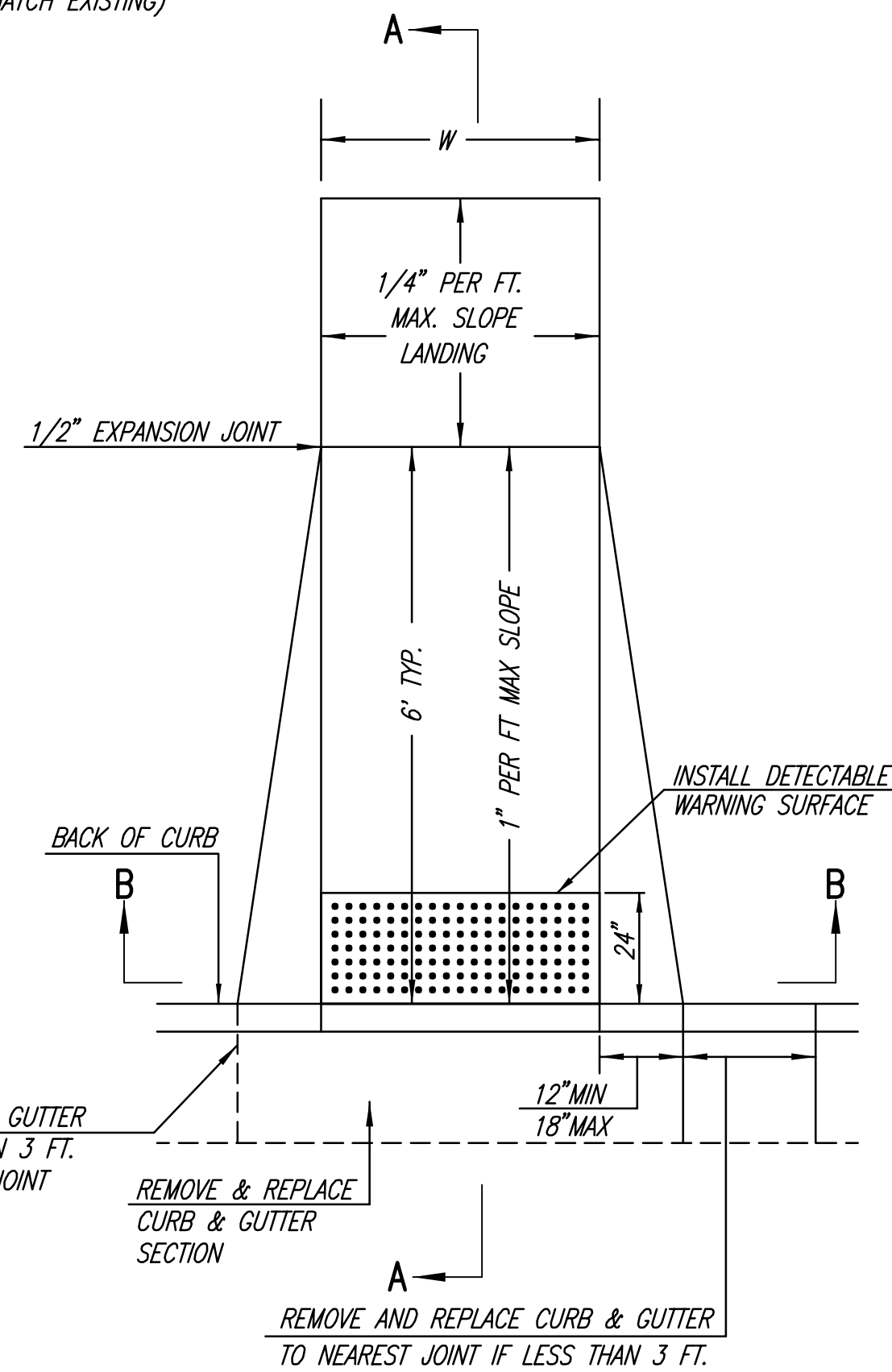
CONSTRUCTION JOINT



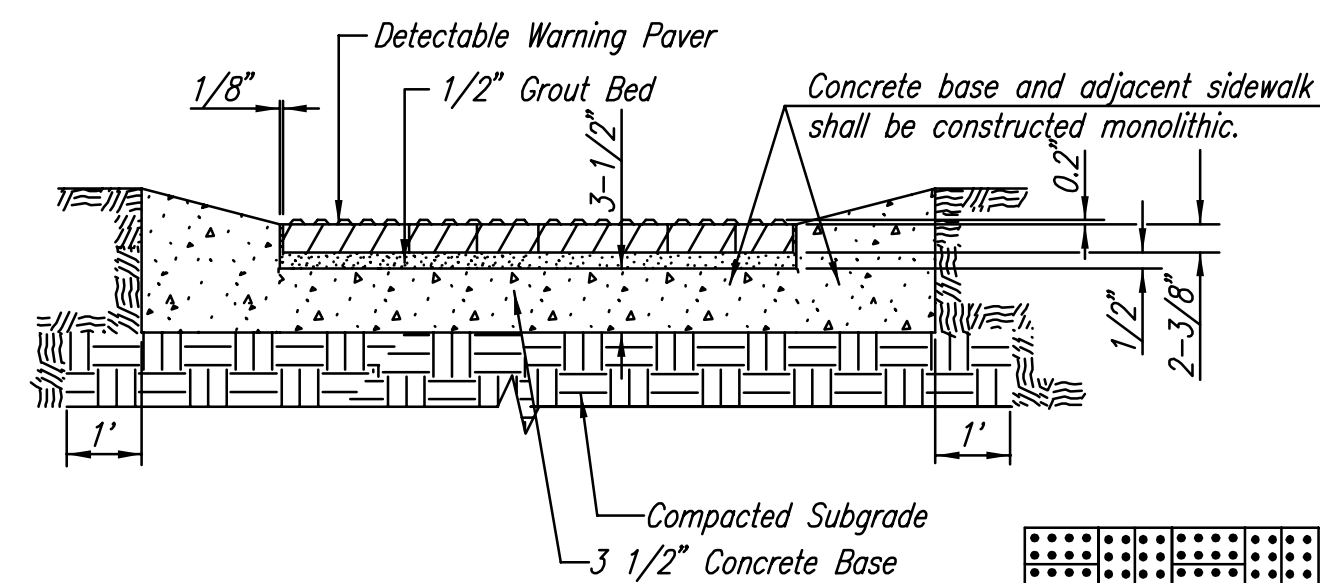
CONTRACTION JOINT

4" WALK DETAILS

W= 4'0" FOR STANDARD RAMP
W= 5'0" FOR RAMPS AT SCHOOL CROSSWALKS
(OR TO MATCH EXISTING)



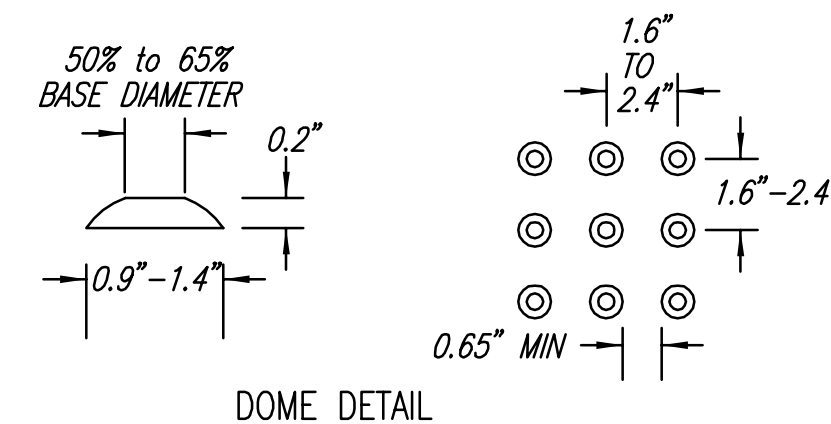
(TYPE A)
STANDARD WHEELCHAIR RAMP
WITH DETECTABLE WARNING
CONSTRUCTION DETAIL FOR STREETS
WITH COMBINED CURB & GUTTER



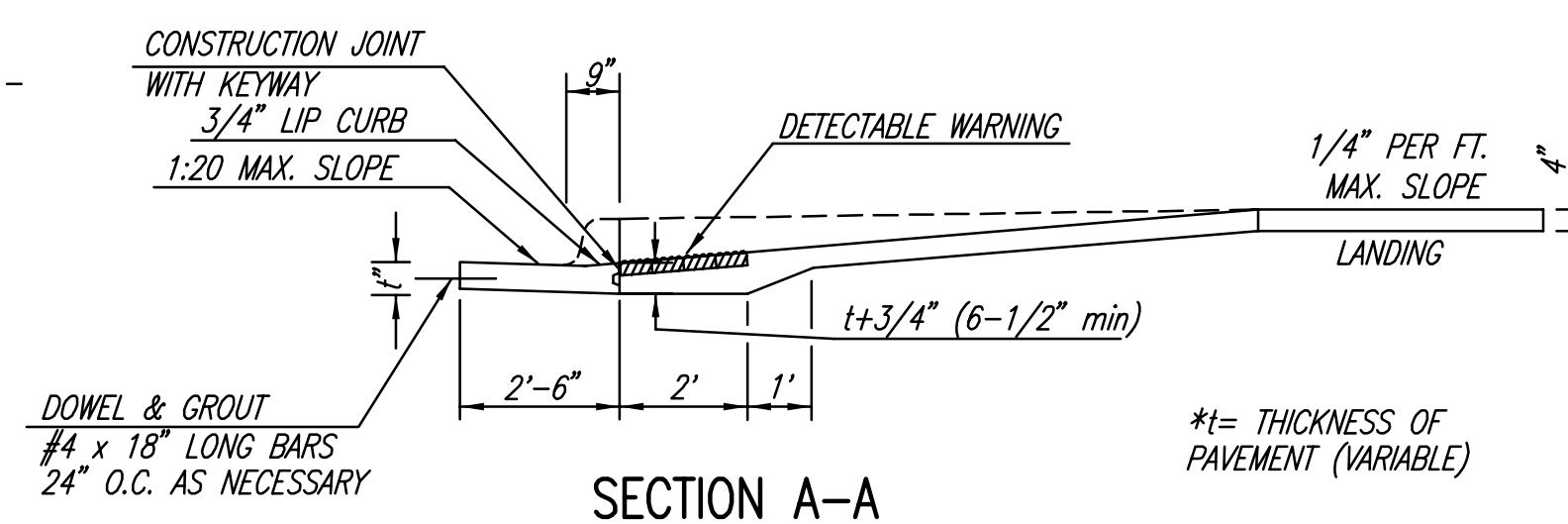
TYPICAL SECTION DETECTABLE WARNING PAVER

NOTE: RAMPS TO COMPLY WITH LATEST ADAAG GUIDELINES. PAVESTONE DETECTABLE WARNING PAVERS (OR AN APPROVED EQUAL) SHALL BE USED IN ALL WHEELCHAIR RAMPS. THE RED PAVER SHALL BE INSTALLED USING A BASKET WEAVE/PARQUET PATTERN. OTHER PATTERNS MAY BE USED WITH APPROVAL OF ENGINEER. SAND FILL JOINTS. ALIGN DOMES IN THE DIRECTION OF PEDESTRIAN TRAVEL.

SECTION B-B



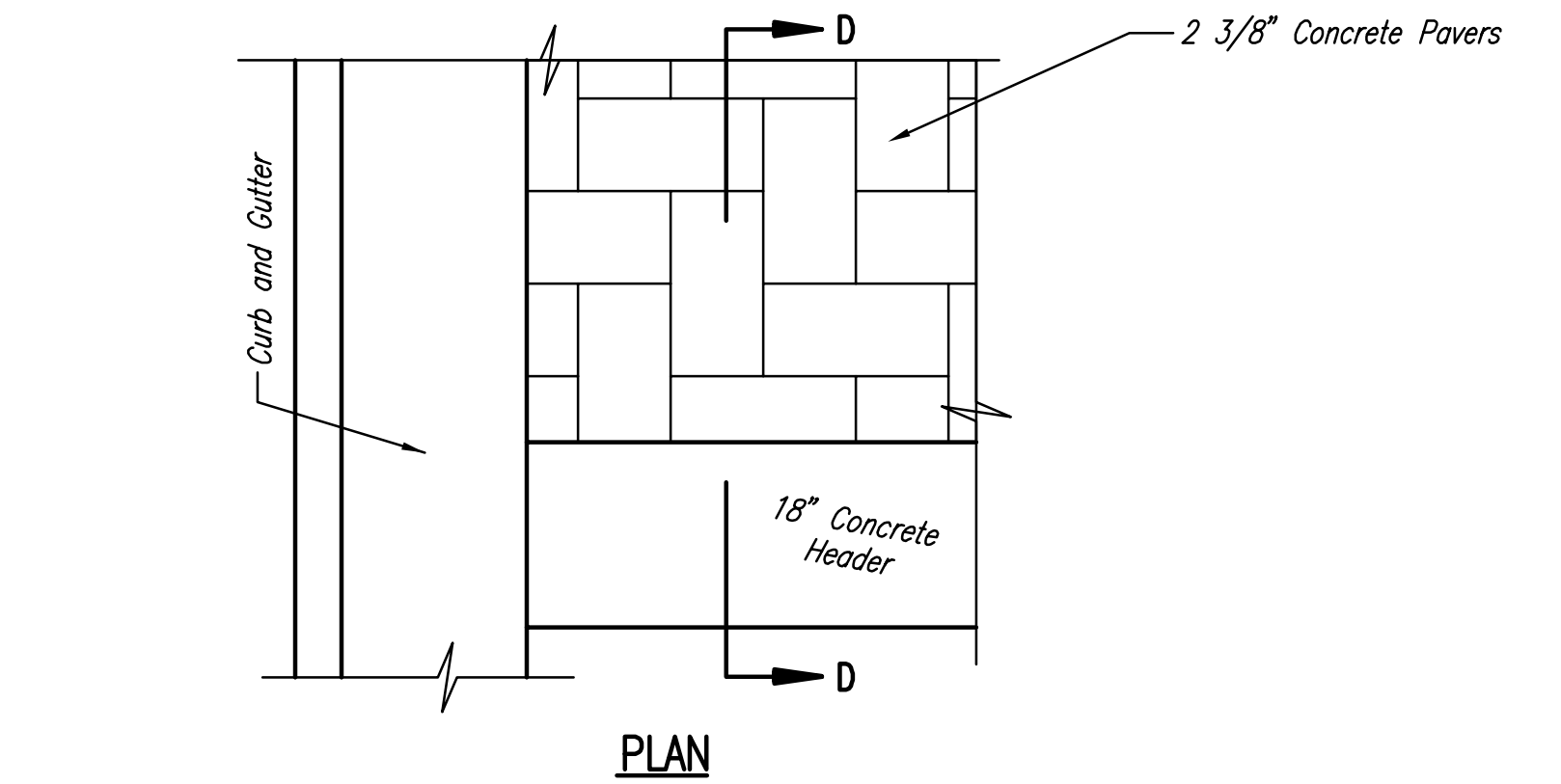
DOME DETAIL



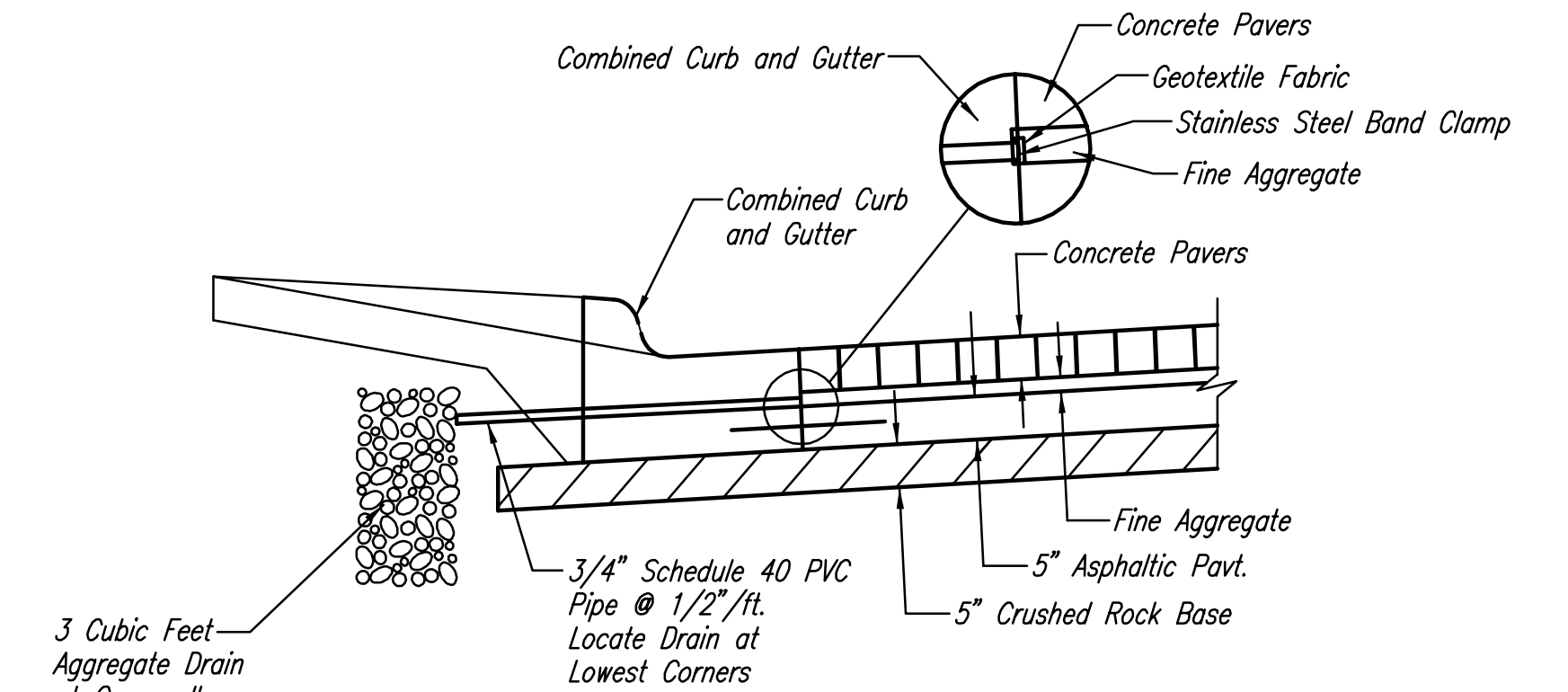
SECTION A-A

TYPICAL WHEELCHAIR RAMP DETAILS

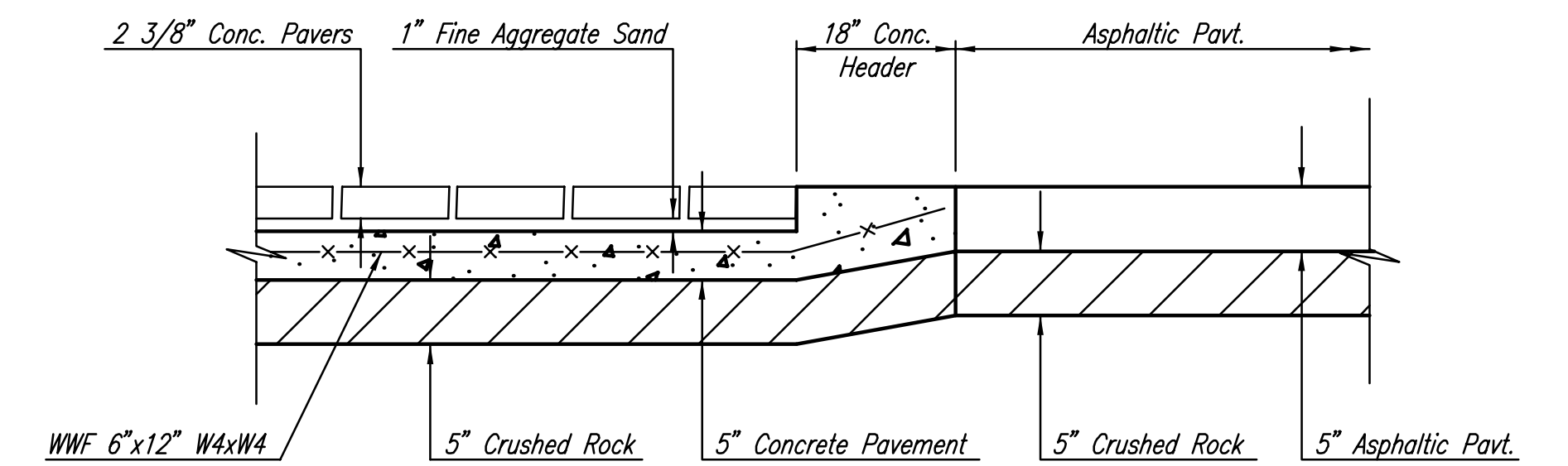
AUGUST 4, 2003



PLAN



BRICK PAVEMENT DRAIN DETAIL
(6 Required)



SECTION D-D THRU CROSS WALK
CROSS WALK DETAILS

GENERAL NOTES
CONCRETE PAVERS

1. CONCRETE PAVING BRICK SHALL BE 2 3/8" MIN. THICKNESS AND MEET OR EXCEED ASTM C-936-82. PAVING STONES TO BE "HOLLAND STONE" IN THE ANTIQUE RED COLOR AS MANUFACTURED BY PAVESTONE CO., OR APPROVED EQUAL. STONES SHALL BE LAID IN A HERRINGBONE PATTERN.
2. SAND BEDDING SHALL MEET THE CITY'S REQUIREMENTS FOR FINE AGGREGATE. AN UNCOMPACTED SAND LAYING COURSE SHALL BE SPREAD EVENLY OVER THE AREA TO BE PAVED AND THEN SCREED TO A LEVEL OF APPROXIMATELY 1" THICKNESS. ONCE SCREED AND LEVELED TO THE DESIRED ELEVATION, THE SAND LAYING COURSE SHALL NOT BE DISTURBED IN ANY WAY.
3. THE PAVING BRICK SHALL BE INSTALLED PERPENDICULAR AND PARALLEL TO THE MAJOR AXIS OF THE CROSSWALK OR AREA BEING PAVED. STONES SHALL BE PLACED WITH THE CHAMFERED SIDE UP, AND JOINT SPACES KEPT UNIFORM APPROXIMATELY 1/8" THICK. THE GAPS AT THE EDGE OF THE PAVED SURFACE SHALL BE FILLED WITH STONES CUT TO FIT. CUTTING SHALL BE ACCOMPLISHED TO LEAVE A CLEAN EDGE TOWARD THE TRAFFIC SURFACE, USING A MASONRY SAW. WHENEVER POSSIBLE, NO CUTS SHOULD RESULT WITH A PAVER LESS THAN ONE-THIRD OF ITS ORIGINAL DIMENSION.
4. PAVING BRICK SHALL BE VIBRATED TO THEIR FINAL LEVEL IN THE SAND LAYING COURSE BY TWO OR THREE PASSES OF A VIBRATING COMPACTOR CAPABLE OF 3000 TO 5000 POUNDS COMPACTION FORCE WITH THE SURFACE CLEAN AND JOINTS OPEN.
5. AFTER VIBRATION, CLEAN CONCRETE SAND SHALL BE SPREAD OVER THE PAVING STONE SURFACE, ALLOWED TO DRY, AND VIBRATED INTO JOINTS WITH ADDITIONAL PASSES OF THE PLATE VIBRATOR SO AS TO COMPLETELY FILL THE JOINTS. A LIGHT COATING OF SAND SHALL BE SWEEPED OVER THE COMPLETED SURFACE AND LEFT TO WEATHER IN.

No.	Revision	By	Date
	OAK CREEK - PHASE 1		
MISCELLANEOUS PAVING DETAILS			
JAMES L. ARMOUR, P.E. - CITY ENGINEER CITY OF WICHITA PROJECT NO. 472-84209			
Professional Engineering Consultants, P.A. 303 S. TOPEKA • WICHITA, KANSAS 67202 316-262-2691 • FAX 316-262-3003			
Designed by	BDB, BLB	Job No.	35-04688-000
Drawn by	BJS	Date	October 2004
			Sheet 14 of 86

