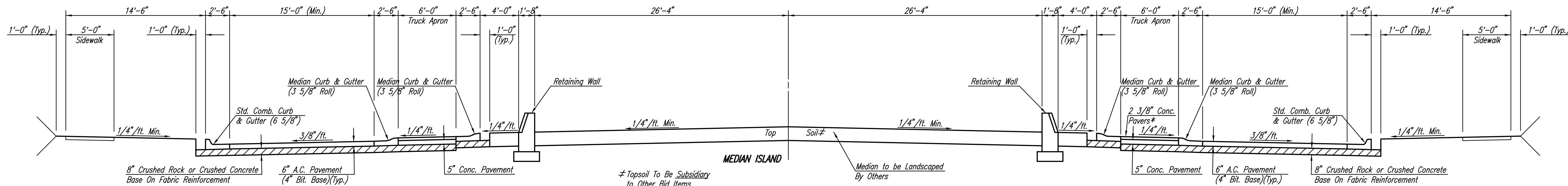
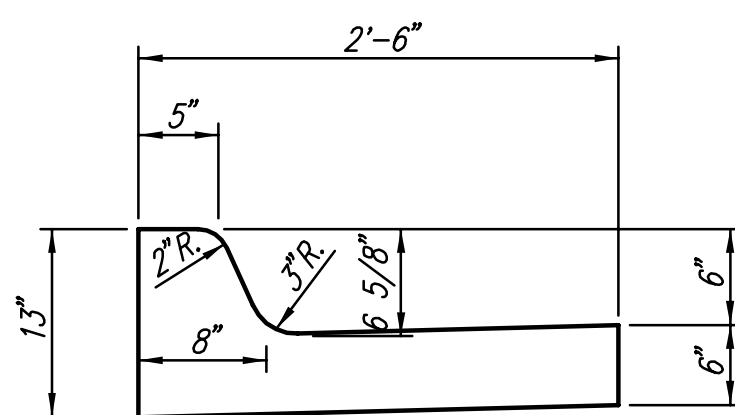


SECTION A-A
STA. 20+00

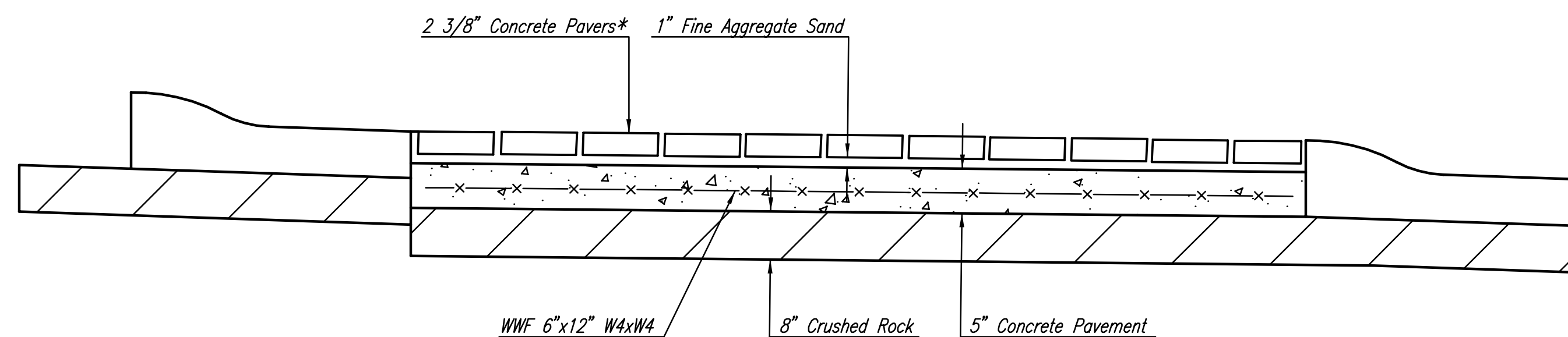


SECTION B-B
STA. 34+00

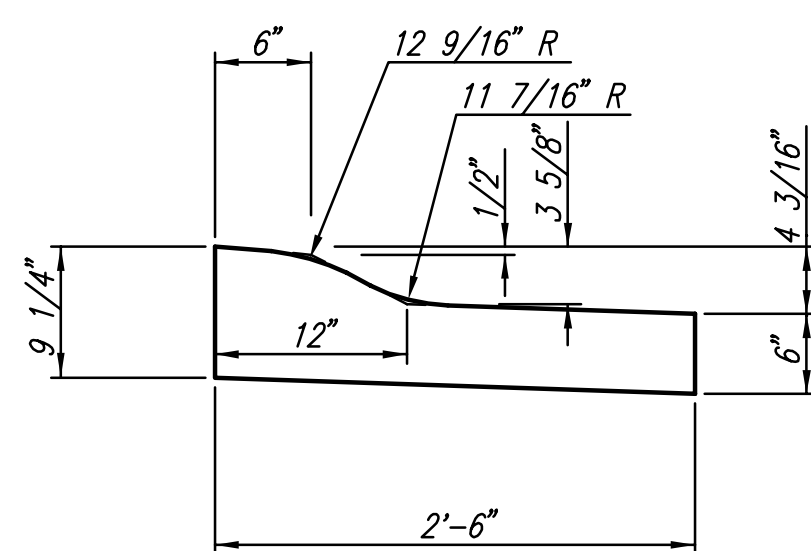
* Note: See Sh. No. 14 for Concrete Paver Information.



STD. COMBINED CURB & GUTTER
(6 5/8")

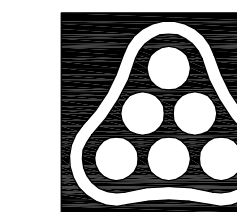


SECTION THRU 6'-0" TRUCK APRON



MEDIAN CURB & GUTTER
(3 5/8" ROLL)

DSNR: BLB OPER: BJS SCALE: 1=5.00
 C:\2004\04688\000\04688-000-C-ROUNDABOUT_TYPSPEC 08-24-2005 12:08:02 am



No.	Revision	By	Date
OAK CREEK - PHASE 1			
ROUNDABOUT TYPICAL SECTIONS			
JAMES L. ARMOUR, P.E. - CITY ENGINEER CITY OF WICHITA PROJECT NO. 472-84209			
Professional Engineering Consultants, P.A. 303 S. TOPEKA • WICHITA, KANSAS 67202 316-262-2691 • FAX 316-262-3003			
Designed by	BDB, BLB	Job No.	35-04688-000
Drawn by	BJS	Date	October 2004
			Sheet 19 of 86