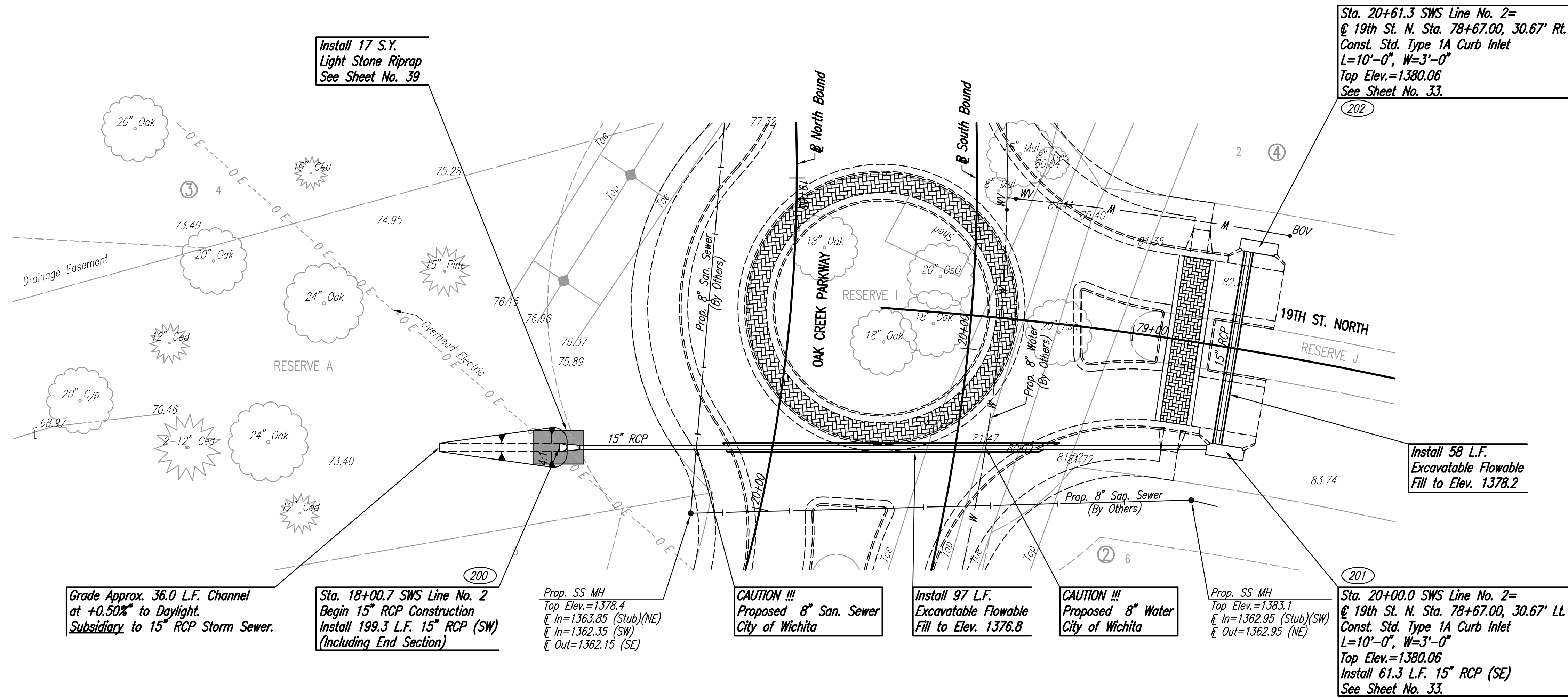
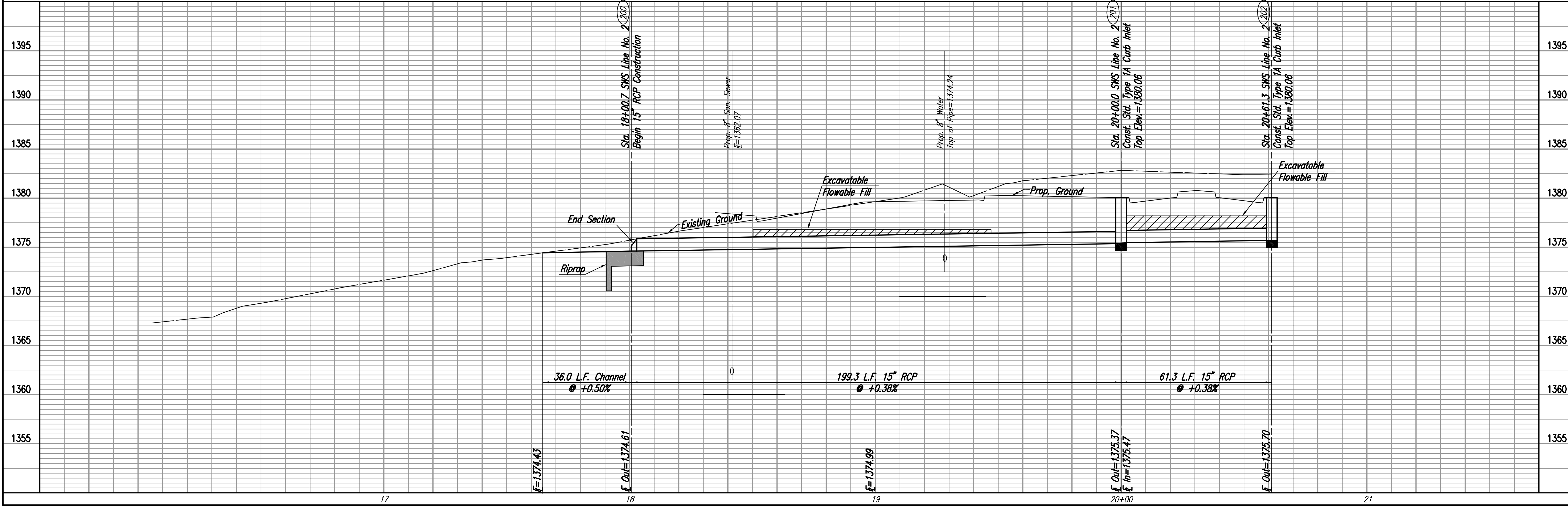


| | | |
|------|---------|------|
| PLAN | CHECKED | DATE |
| | CHECKED | |
| | | |
| | | |

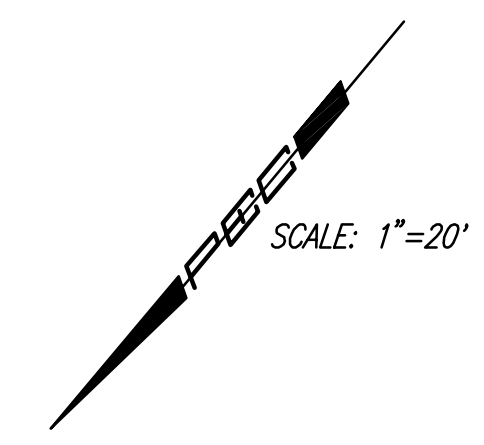
| | | |
|---------|---------|------|
| PROFILE | CHECKED | DATE |
| | CHECKED | |
| | | |
| | | |

DSNR: BLB OPER: BJS SCALE: 1"=20.00
 C:\2004\04688\000\04688-000-C-SWSLINE2 08-23-2005 09:04:15 am



| COORDINATE LIST | | |
|-----------------|--------------|----------------|
| POINT | NORTH | EAST |
| 200 | 385,518.3059 | 2,373,262.7187 |
| 201 | 385,391.2329 | 2,373,109.1491 |
| 202 | 385,338.3339 | 2,373,140.2021 |

200 = COORDINATE POINT NO.
 SEE SHEET NO. 4 FOR PLAT COORDINATES



SCALE: 1"=20'