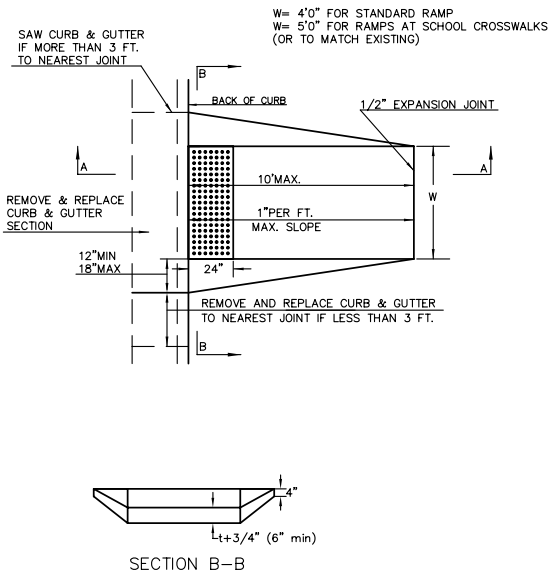
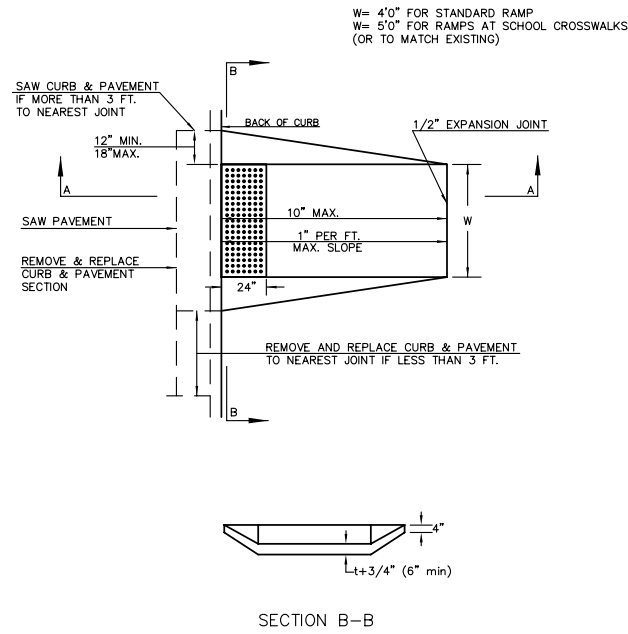


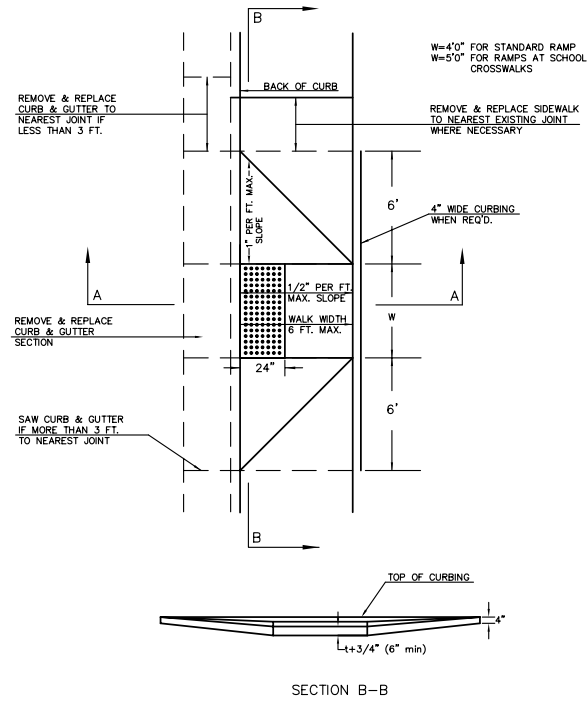
**STANDARD WHEELCHAIR RAMP CONSTRUCTION DETAIL FOR STREETS WITH COMBINED CURB & GUTTER (TYPE A)**



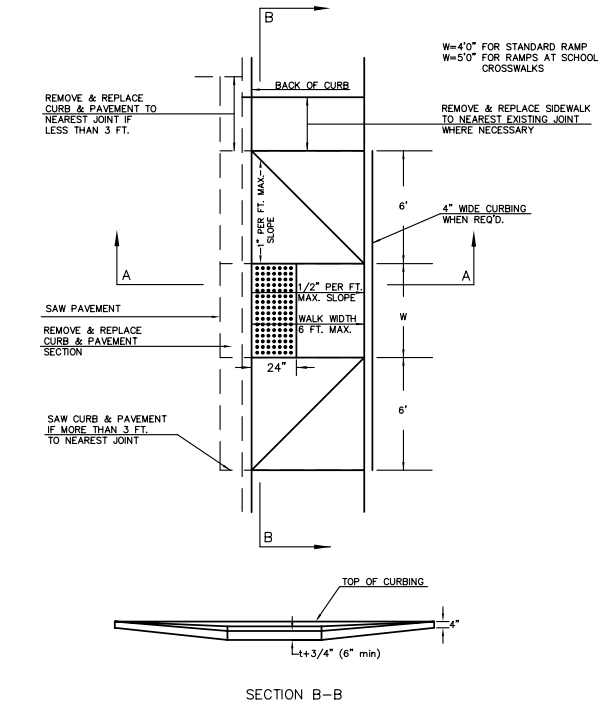
**STANDARD WHEELCHAIR RAMP CONSTRUCTION DETAIL FOR CONCRETE STREETS WITH MONOLITHIC CURB (TYPE A)**



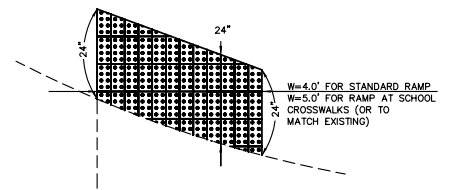
**STANDARD WHEELCHAIR RAMP CONSTRUCTION DETAIL FOR STREETS WITH COMBINED CURB & GUTTER AND FULL WALK (TYPE B)**



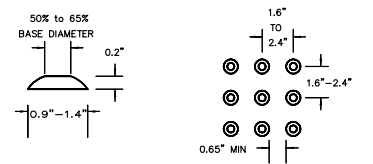
**STANDARD WHEELCHAIR RAMP CONSTRUCTION DETAIL FOR STREETS WITH MONOLITHIC CURB AND FULL WALK (TYPE B)**



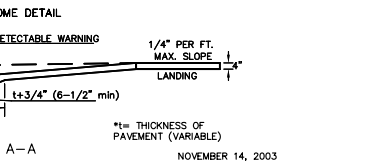
**TYPICAL BRICK PATTERN**



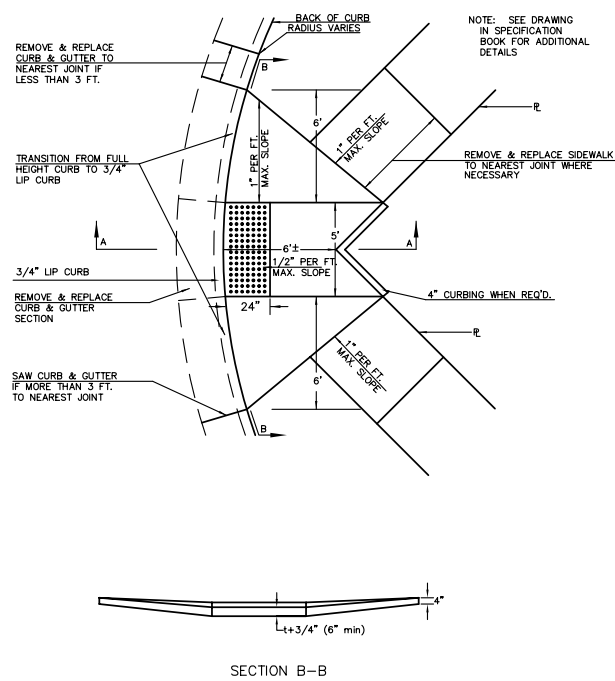
**BRICK PATTERN WHEN RAMP INTERSECTS A RADIUS**



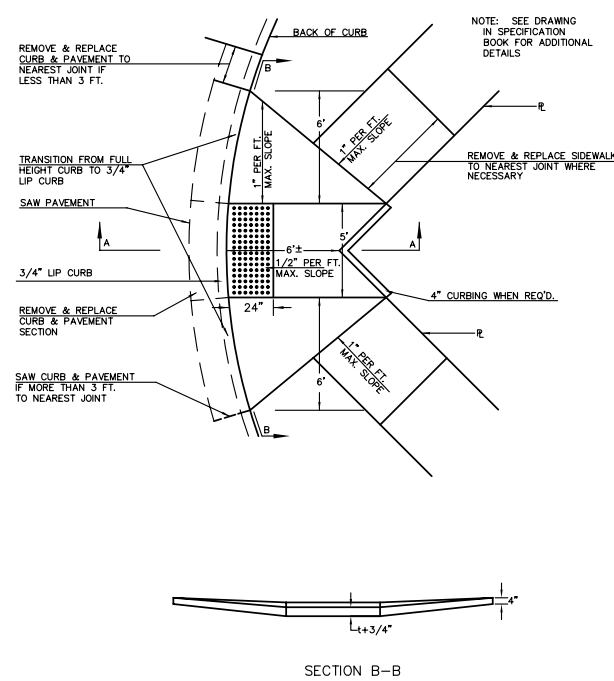
**DOME DETAIL**



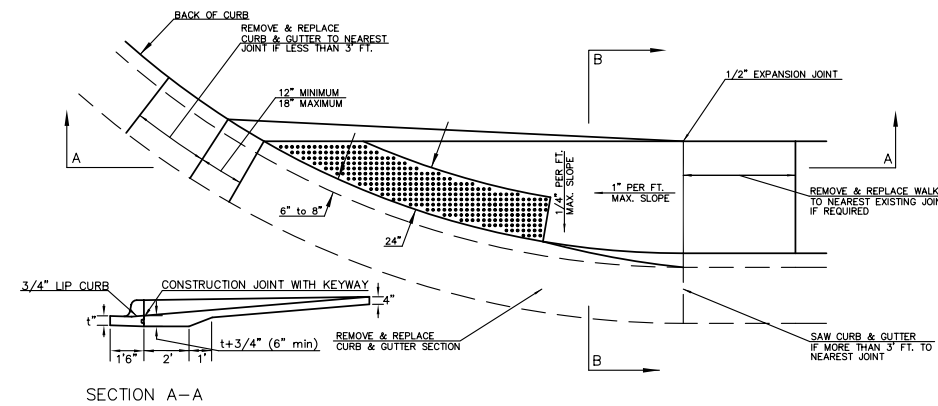
**STANDARD WHEELCHAIR RAMP CONSTRUCTION DETAIL FOR STREET WITH COMBINED CURB AND GUTTER ON RADIUS WITH 6 INCH FROM BACK OF CURB TO PROPERTY CORNER (TYPE C)**



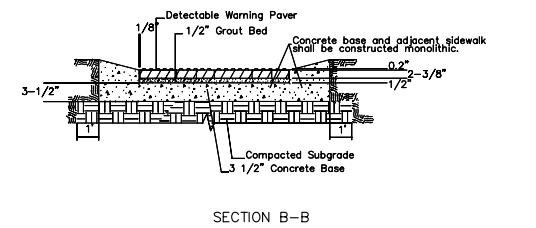
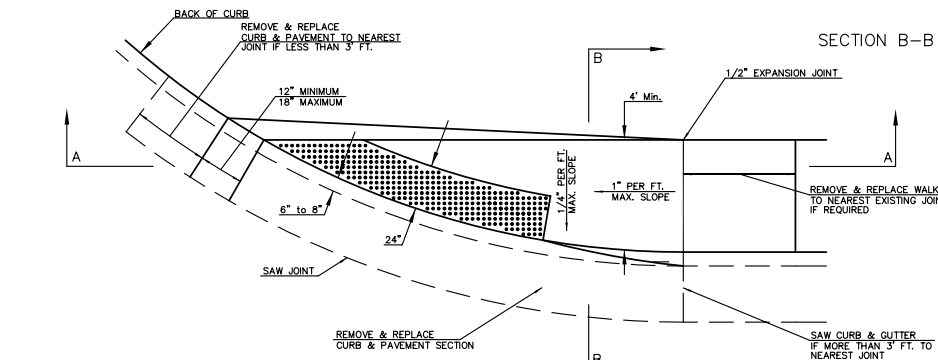
**STANDARD WHEELCHAIR RAMP CONSTRUCTION DETAIL FOR STREET WITH MONOLITHIC CURB ON RADIUS WITH 6 INCH FROM BACK OF CURB TO PROPERTY CORNER (TYPE C)**



**STANDARD WHEELCHAIR RAMP CONSTRUCTION DETAIL FOR STREETS WITH COMBINED CURB & GUTTER WITH ONE FULL SIDEWALK (TYPE D)**



**STANDARD WHEELCHAIR RAMP CONSTRUCTION DETAIL FOR STREETS WITH MONOLITHIC CURB WITH ONE FULL SIDEWALK (TYPE D)**



**TYPICAL SECTION DETECTABLE WARNING PAVER**

NOTE: RAMPS TO COMPLY WITH LATEST ADAAG GUIDELINES. PAVEMENT DETECTABLE WARNING PAVERS (OR AN APPROVED EQUAL) SHALL BE USED IN ALL WHEELCHAIR RAMPS. THE RED PAVER SHALL BE INSTALLED USING A BASKET WEAVE/PARQUET PATTERN. OTHER PATTERNS MAY BE USED WITH APPROVAL OF ENGINEER. SAND FILL JOINTS. ALIGN DOMES IN THE DIRECTION OF PEDESTRIAN TRAVEL.



**FOX RIDGE ADDITION - PHASE 13 - PART 1**  
PROJECT NAME

**WHEELCHAIR RAMP DETAILS**  
SHEET TITLE

MKEC DESIGN BY: MKEC DRAWN BY: MKEC CHECKED BY:

411 N. WEBB ROAD WICHITA, KS. 67206 316-684-9600  
SEPTEMBER 2005 99118 5 / 22  
DATE JOB NO. SHEET/OF

G:\CIVIL\99118.DWG (PAVPH13.PART1) 99118.DWG