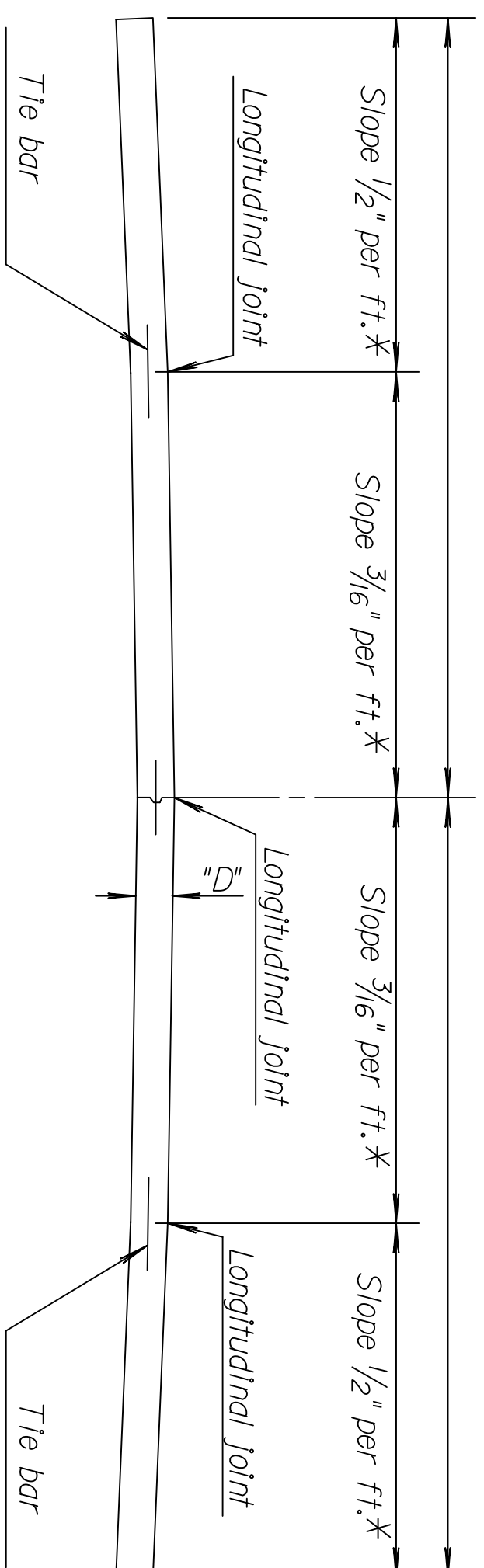


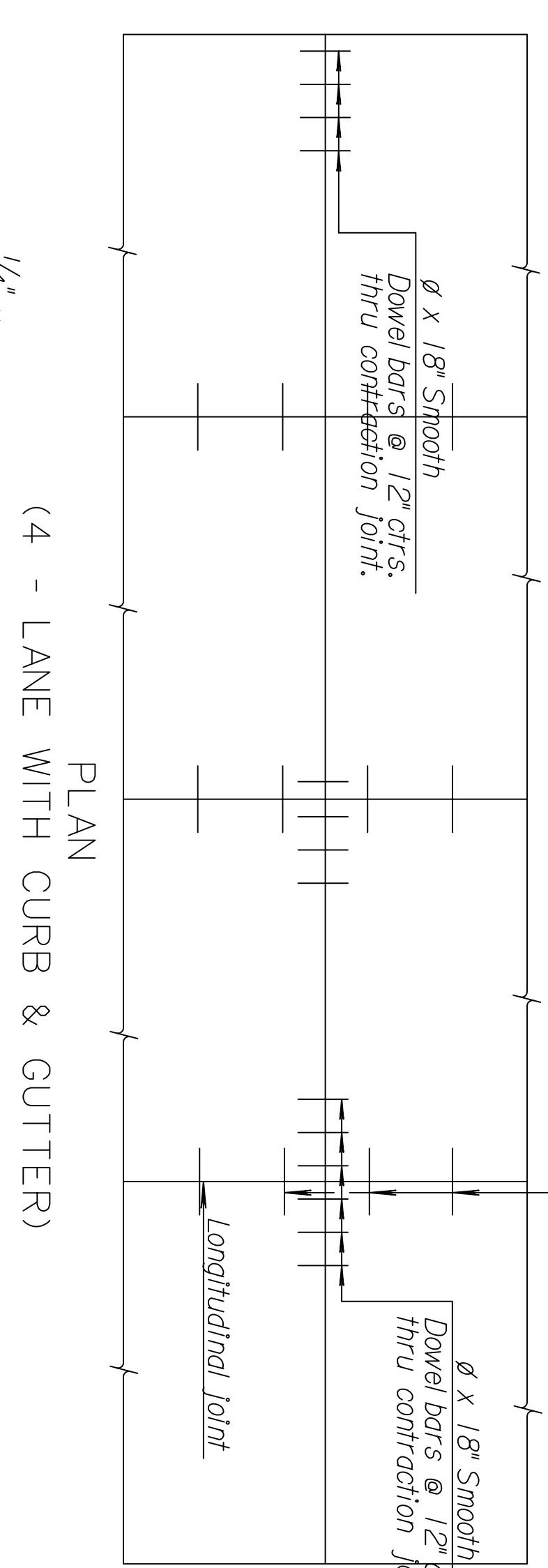
For Curb & Gutter details:
 See Standard Drawing RD635.

TRANSVERSE SECTION
 (4 - LANE WITH CURB & GUTTER)

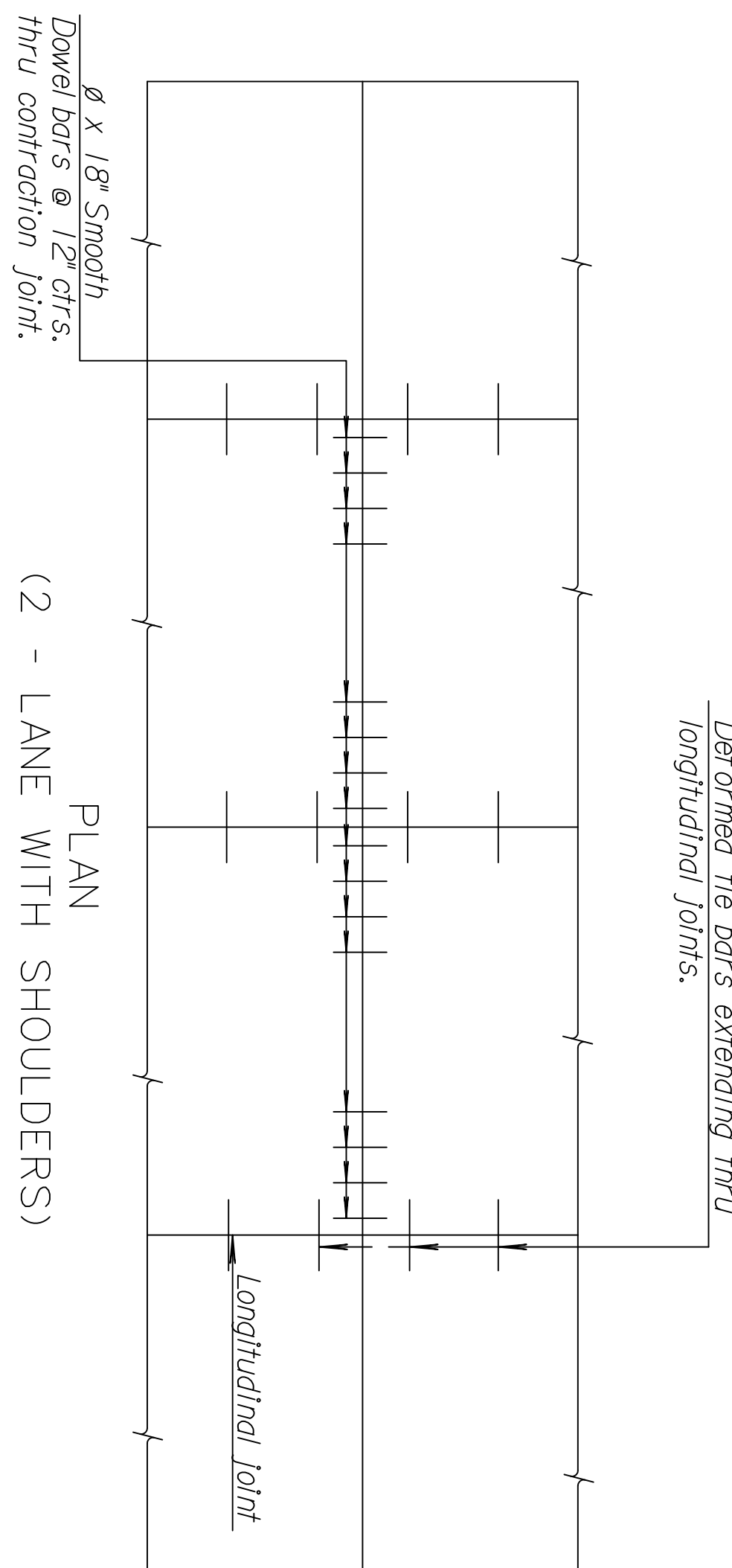
* Normal cross slopes. See Typical Section or
 Cross Sections for variations.



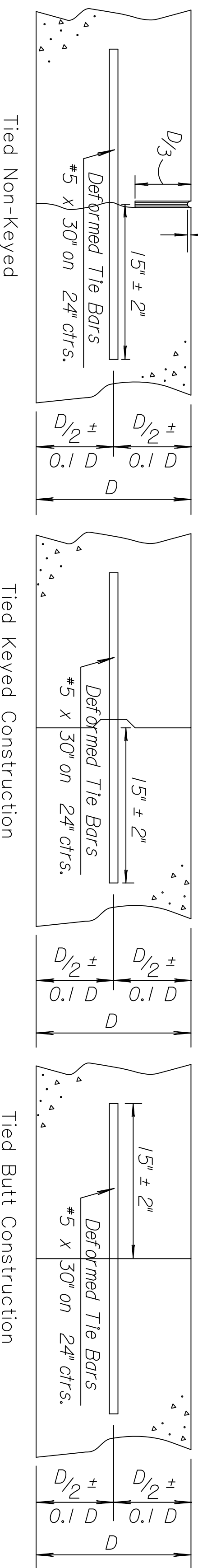
TRANSVERSE SECTION
 (2 - LANE WITH SHOULDERS)



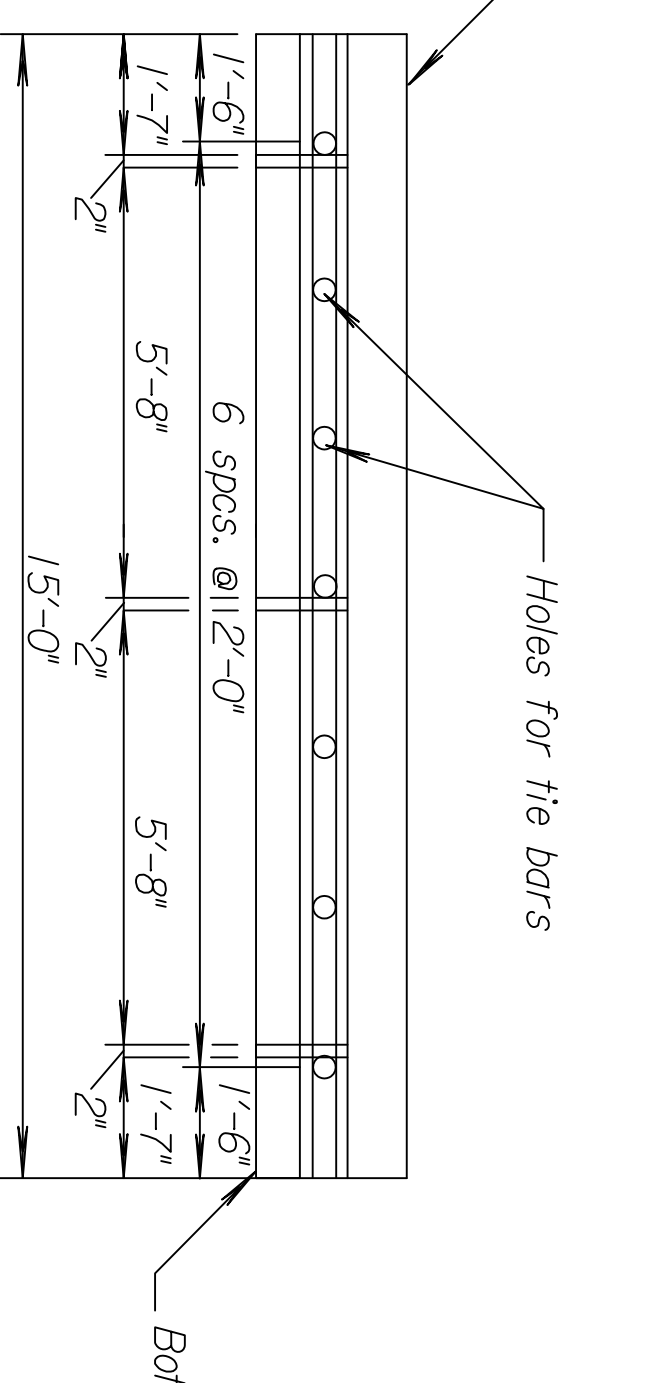
Contraction Joints spaced 15' ctrs.



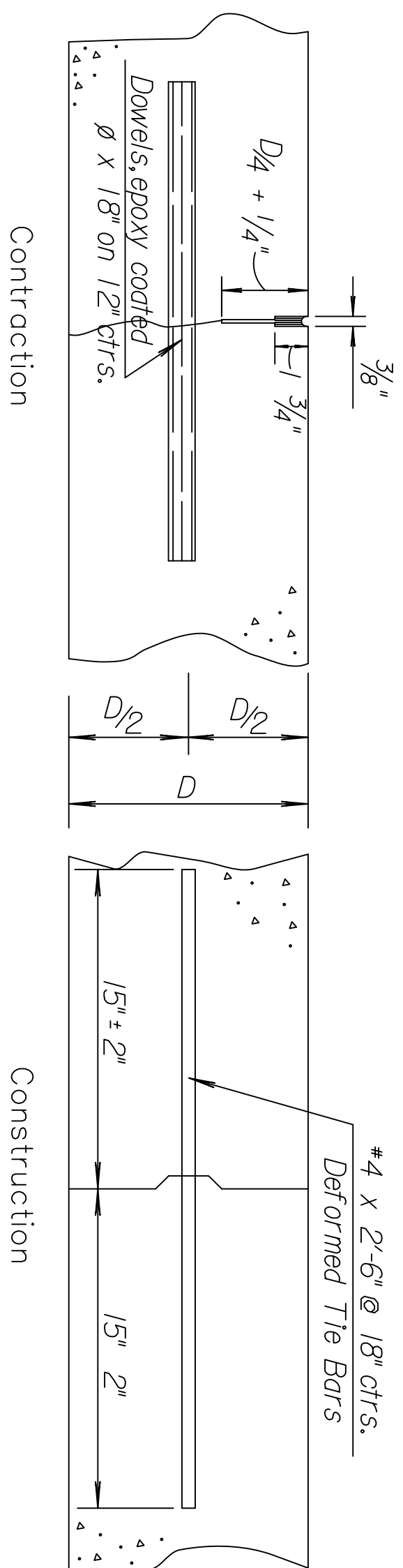
Contraction Joints spaced 15' ctrs.



Notes: For longitudinal construction joints the contractor has the option of using either the keyed or butt type.



To be used only against forms. Shall not extend through contraction joints.
 For automated placement the bars shall be spaced at uniform 24" centers.
 Snap-In leg or other approved designs may be used in lieu of welded leg.



TRANSVERSE JOINTS

DETAIL OF CONTRACTION JOINT SAWCUT

Note: Contraction joints will be constructed at the planned location or as directed by the Engineer. When necessary to interrupt continuous placement for a substantial length of time or at the end of a day's pour, the Contractor has the option of ending placement of a contraction joint or with a construction joint located a minimum of five (5) feet from a contraction joint. Either joint type may be constructed by placing a header at the end of the pour or by paving past the joint location location, sawing the joint after the concrete has hardened, and drilling holes for the tie bars or dowels.

The 1/8" saw cut (D/4 + 1/4" depth) shall be done initially; the 3/8" saw cut shall be accomplished in a separate operation after concrete has gained sufficient strength to avoid spalling as determined by the Engineer.

Scale: 5

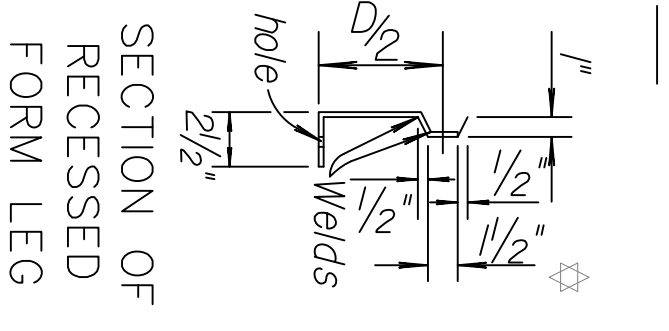
| | | | | |
|--------|-------------|------|-----------|--------------|
| STATE | PROJECT NO. | YEAR | SHEET NO. | TOTAL SHEETS |
| KANSAS | 472-84/75 | 2005 | 6 | 49 |

GENERAL NOTE

All deformed tie bars shall be epoxy coated. Any damage to the epoxy coating shall be patched in accordance with the Standard Specifications.
 Deformed tie bars which require bending shall be billet steel reinforcing bars, Grade 40 and may or may not be epoxy coated.
 Pressure relief joints (without load transfer devices) shall be placed at the end of the bridge approach pavement slabs. For details of pressure relief joint, see Concrete Bridge Approach Standard.
 Unless otherwise noted, load transfer devices as shown in detail shall be used at all contraction joints on mainline pavement. No dowels will be used on shoulder contraction joints unless specifically shown on the plans.
 All sawed joints on this project shall be filled with sealant. See Special Provision for type of sealant.
 Shape of all keyed joints shall be similar to section of recessed form leg as shown on this sheet.
 See Standard Drawing RD707 for concrete shoulder details and construction details.
 All longitudinal joints shall be tied.
 Tie bars shall be evenly spaced along the length of the slab and no tie bars shall be within 12" of contraction joint.

| D (in.) | Diameter |
|---------|----------|
| 8 | 1 1/8" |
| 9 | 1 1/4" |
| 10 | 1 3/8" |
| 11 | 1 1/2" |
| 12 | 1 5/8" |

PAVEMENT DEPTH



| NO. | DATE | REVISIONS | BY | APP'D |
|-----|---------|------------------------------------|--------|--------|
| 11 | 3-8-02 | Rev. General Note on sawed joints. | S.W.K. | J.O.B. |
| 10 | 8-14-01 | Rev. Longitudinal joint section. | S.W.K. | J.O.B. |

CONCRETE PAVEMENT
 DOWEL JOINTED
 NON-REINFORCED

| | | | |
|-------------|-----------|------------|-------------------|
| DESIGNED BY | 4-23-02 | APPR'D BY | J. James O. Bower |
| DESIGN CK | DETAIL CK | QUANTITIES | TRACED BOWER |
| DESIGN CK | DETAIL CK | QUAN. CK | TRACE CK. Seitz |