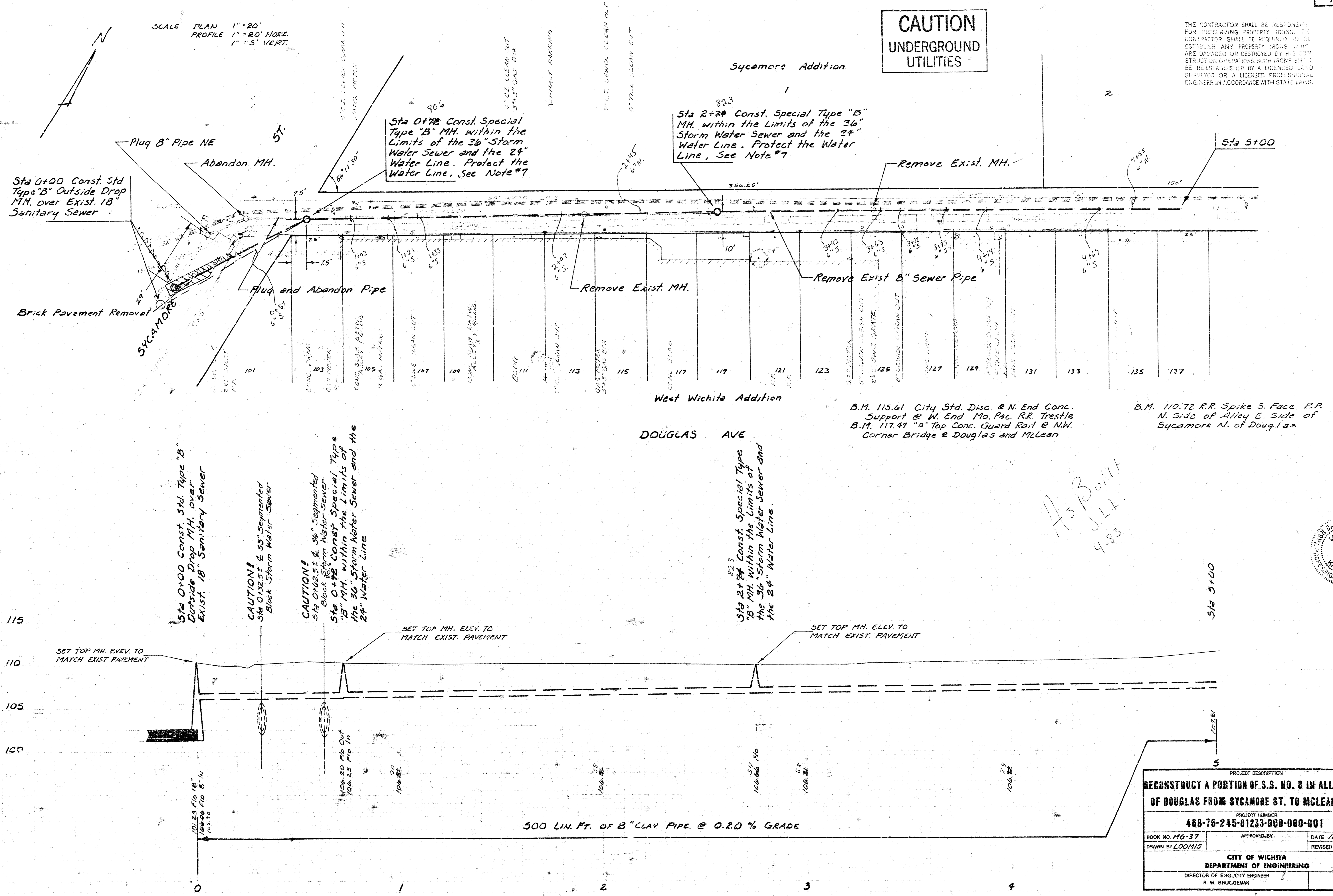


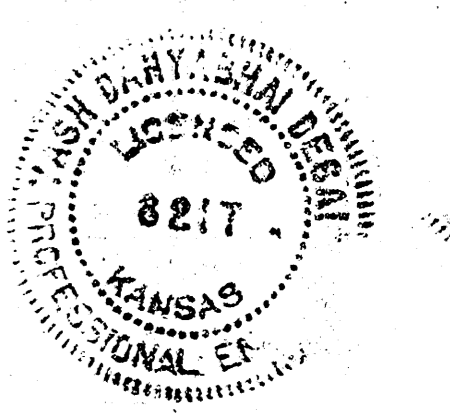
SCALE PLAN 1" = 20'
PROFILE 1" = 20' HORIZ.
1" = 5' VERT.

**CAUTION
UNDERGROUND
UTILITIES**

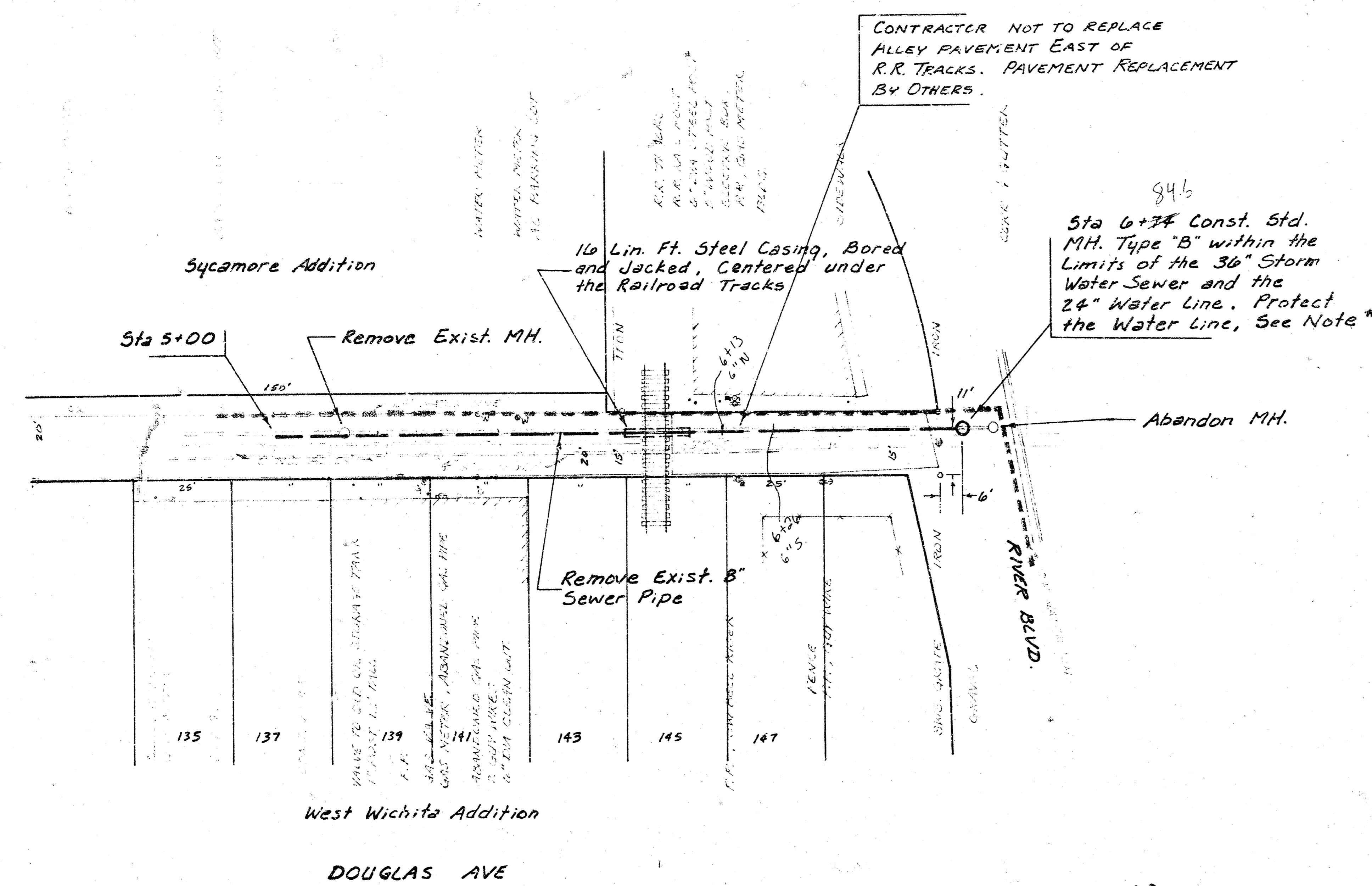
THE CONTRACTOR SHALL BE RESPONSIBLE FOR PRESERVING PROPERTY RIGHTS. THE CONTRACTOR SHALL BE REQUIRED TO RE-ESTABLISH ANY PROPERTY RIGHTS WHICH ARE DAMAGED OR DESTROYED BY HIS CONSTRUCTION OPERATIONS SUCH RIGHTS SHALL BE RE-ESTABLISHED BY A LICENSED LAND SURVEYOR OR A LICENSED PROFESSIONAL ENGINEER IN ACCORDANCE WITH STATE LAWS.



*As Built
J.L.T.
4-83*



PROJECT DESCRIPTION		
RECONSTRUCT A PORTION OF S.S. NO. 8 IN ALLEY NORTH OF DOUGLAS FROM SYCAMORE ST. TO MCLEAN BLVD.		
PROJECT NUMBER 468-76-245-81233-000-001		
BOOK NO. MG-37	APPROVED BY	DATE 11-82
DRAWN BY LDM/MS	REVISIONS	
CITY OF WICHITA DEPARTMENT OF ENGINEERING		
DIRECTOR OF ENG./CITY ENGINEER R. W. BRUGGEMAN		SCALE

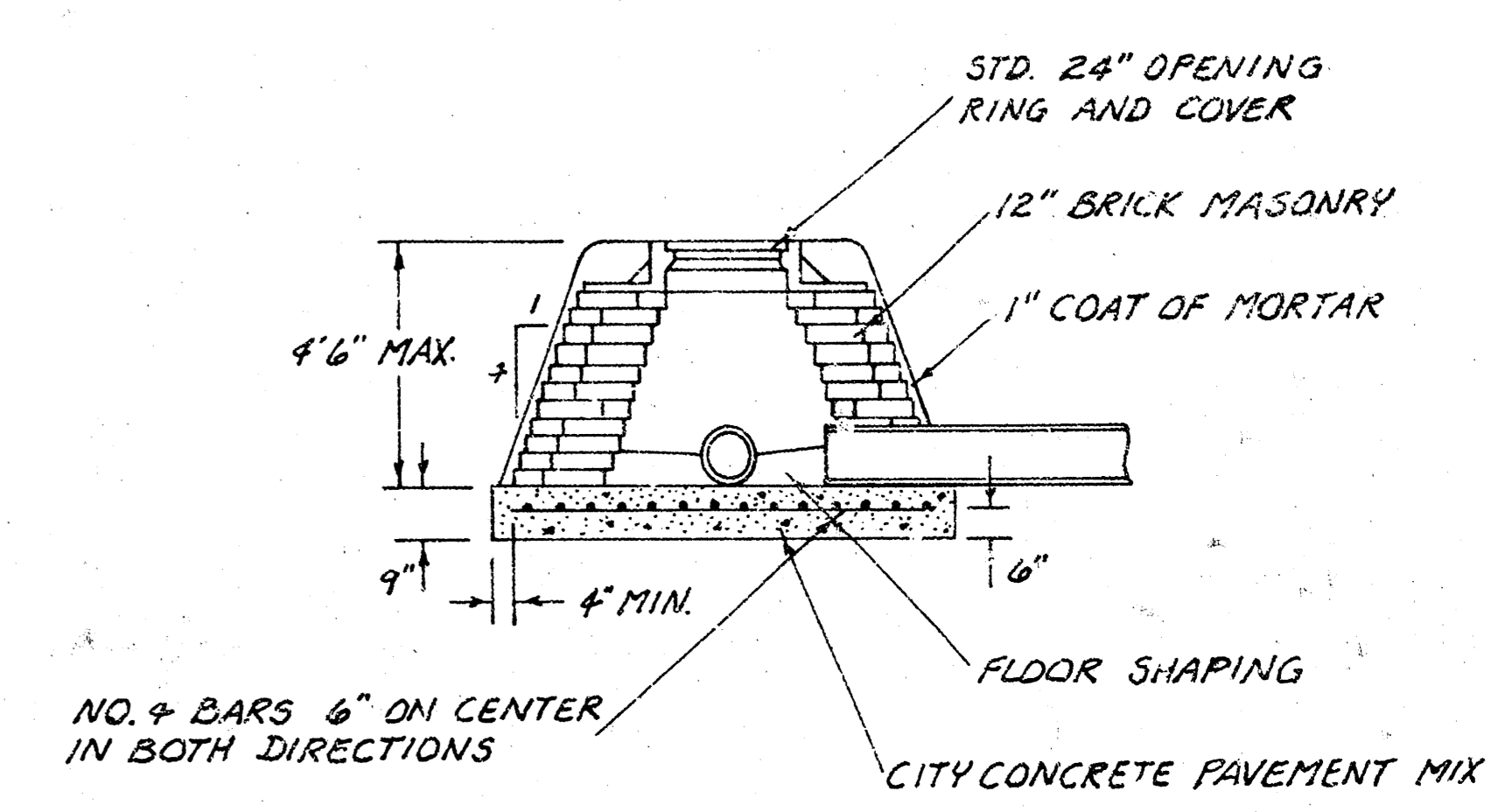


CONTRACTOR NOT TO REPLACE ALLEY PAVEMENT EAST OF R.R. TRACKS. PAVEMENT REPLACEMENT BY OTHERS.

Sta 6+74 Const. Std. MH. Type "B" within the Limits of the 36" Storm Water Sewer and the 24" Water Line. Protect the Water Line. See Note #7

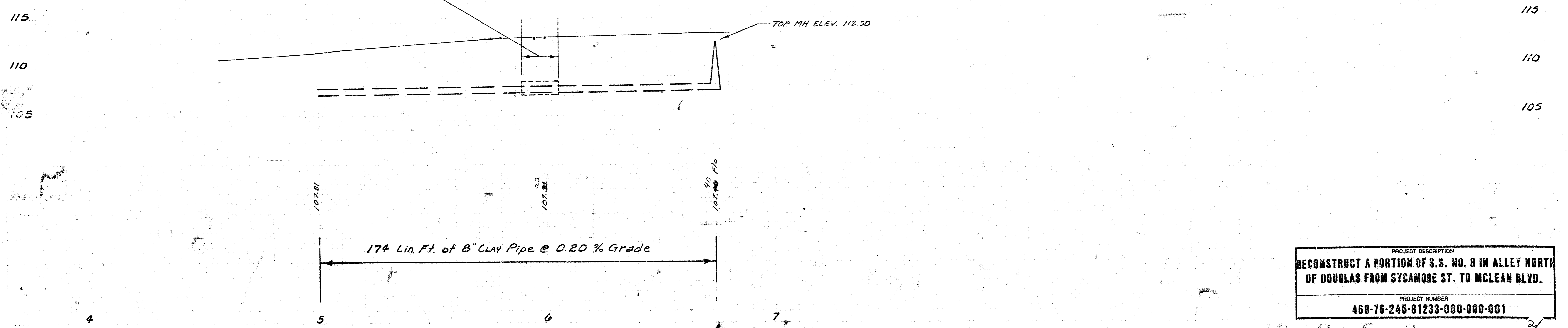
SCALE PLAN 1"=20'
PROFILE 1"=20' HORIZ.
1"=5' VERT.

- GENERAL NOTES
1. CONTRACTOR'S METHOD FOR HANDLING SEWAGE FLOWS DURING CONSTRUCTION SHALL BE APPROVED BY THE ENGINEER.
 2. ONLY ACTIVE BUILDING SANITARY SEWER LINES ARE TO BE RECONNECTED TO THE NEW SEWER. CONTRACTOR SHALL VERIFY WHICH LINES ARE ACTIVE.
 3. IF DAMAGE TO TRAPS AND CLEANDOUTS IS UNAVOIDABLE DURING PROJECT CONSTRUCTION, THE DAMAGED TRAPS AND CLEANDOUTS SHALL BE REPLACED.
 4. INSPECTORS SHALL NOTE LOCATION AND DIRECTION OF RECONNECTED BUILDING SEWER LINES IN INSPECTOR'S REPORT.
 5. CONTRACTOR SHALL GIVE ALL PROPERTY OWNERS AND TENANTS AFFECTED BY THE CONSTRUCTION OF THIS PROJECT A MINIMUM OF 48 HOURS ADVANCE NOTICE PRIOR TO START OF CONSTRUCTION.
 6. CONTRACTOR TO NOTIFY THE CITY OF WICHITA WATER DEPARTMENT 48 HOURS BEFORE THE START OF CONSTRUCTION (CONTACT CHUCK STEVER, 268-4555).
 7. THE EXISTING 24" CAST IRON WATER LINE IS APPROXIMATELY 60 YEARS OLD AND HAS RIPPURED TWO TIMES PREVIOUSLY WHERE IT BENDS IN RIVER BOULEVARD. CONTRACTOR SHALL USE GREAT CAUTION WHILE INSTALLING THIS SANITARY SEWER. WHERE THE SANITARY SEWER CLEARANCE WITH WATER LINE FALLS WITHIN 3.0 FEET, CONTRACTOR SHALL USE SPECIAL SHORING TECHNIQUES TO PROTECT THE WATER LINE FROM BEING UNCOVERED OR DAMAGED IN ANY WAY. ALL EXCAVATION NEAR A WATER LINE SHALL BE DONE IN THE PRESENCE OF AN ENGINEER FROM THE WATER DEPARTMENT. COST OF SHORING SHALL BE INCIDENTAL TO PROJECT.
 8. CONCRETE REMOVAL SHALL BE A MINIMUM OF TWO FEET ON BOTH SIDES OF PIPE.



SPECIAL TYPE "B" MANHOLE DETAIL

As Built
J.L.H.
4-83



PROJECT DESCRIPTION
RECONSTRUCT A PORTION OF S.S. NO. 8 IN ALLEY NORTH OF DOUGLAS FROM SYCAMORE ST. TO MCLEAN BLVD.

PROJECT NUMBER
468-76-245-81233-000-001