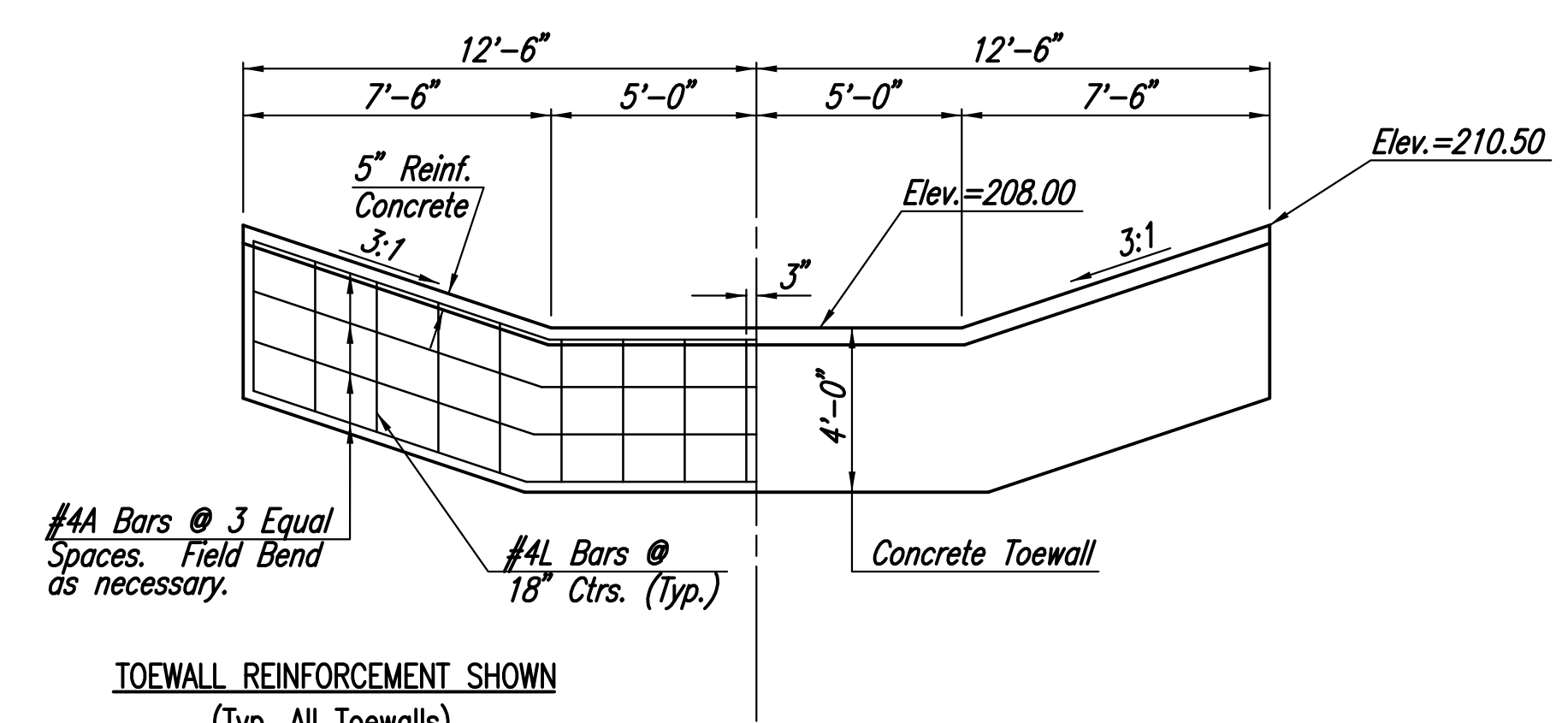
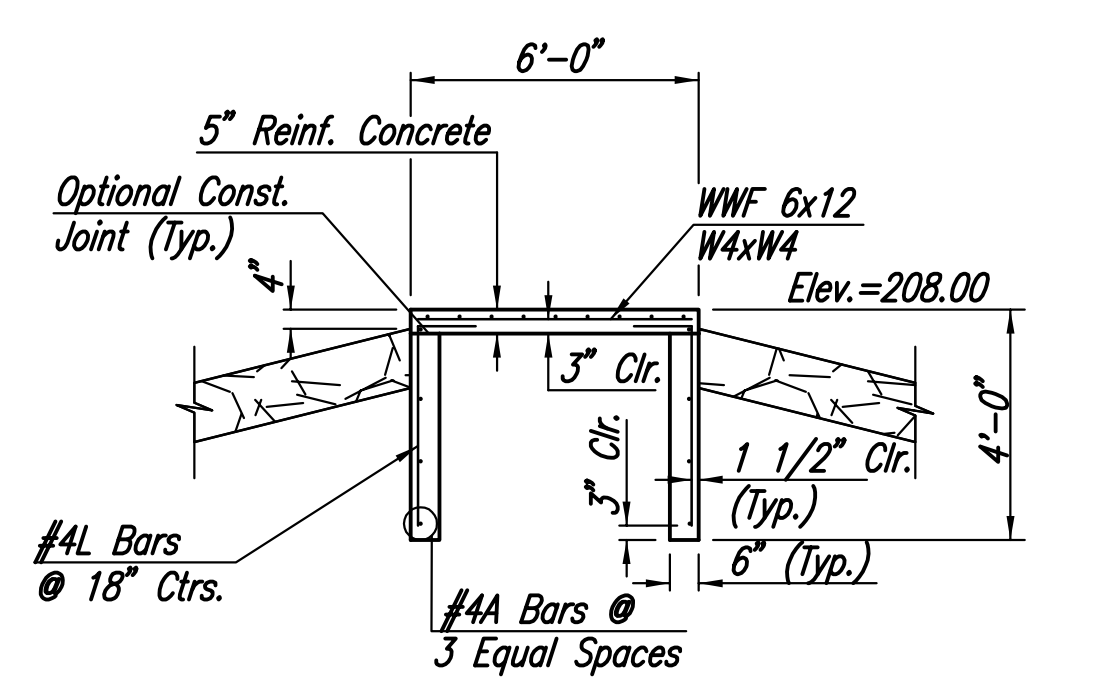


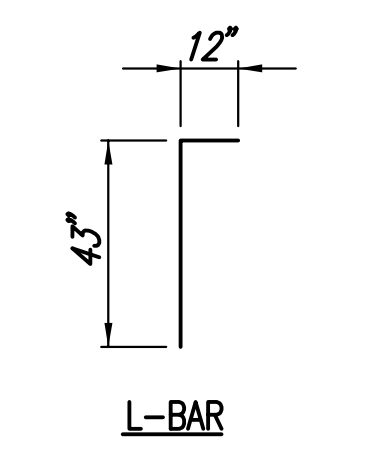
PLAN



SECTION A-A



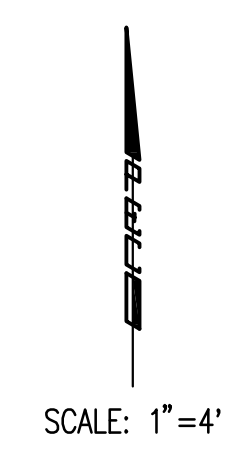
SECTION B-B



BENDING DIAGRAM

R.C. WEIR DETAILS

FOR INFORMATION ONLY



GENERAL NOTES

DESIGN
 IN ACCORDANCE WITH INTERNATIONAL BUILDING CODE (IBC),
 2000 EDITION, INCLUDING LOCAL SUPPLEMENTS.
 ALL STRUCTURAL CONCRETE HAS BEEN DESIGNED IN
 ACCORDANCE WITH ACI 318.
 THE PEDESTRIAN LIVE LOAD DESIGN FOR THE BRIDGE HAS BEEN
 SET FOR 85 PSF.

CONCRETE
 CONCRETE SHALL HAVE A MINIMUM 28 DAY COMPRESSIVE
 STRENGTH OF 4,000 P.S.I. MINIMUM CEMENT CONTENT
 SHALL BE 470 PCY WITH A MAXIMUM W/C RATIO OF 0.45.
 BEVEL ALL EXPOSED EDGES WITH A 3/4" CHAMFER STRIP.
 CEMENT SHALL BE TYPE I OR II CONFORMING TO ASTM C150.

REINFORCING
 REINFORCING SHALL CONFORM TO ASTM DESIGNATION
 A615 GRADE 60 AND SHALL BE NON-EPOXY COATED. ALL
 DIMENSIONS RELATIVE TO REINFORCING ARE TO
 CENTERLINE OF BARS UNLESS OTHERWISE NOTED. THE
 CONCRETE COVER FOR ALL REINFORCING STEEL SHALL
 BE 2" UNLESS OTHERWISE NOTED.

STRUCTURAL STEEL
 STRUCTURAL STEEL MATERIALS SHALL MEET THE
 FOLLOWING REQUIREMENTS:
 HEADED STUD ANCHORS ASTM DESIGNATION A108
 STAINLESS STEEL EXPANSION PLATE ASTM DESIGNATION A276, TYPE 304.

ALL WELDING SHALL COMPLY WITH THE LATEST
 AWS CODE, SECTION D1.1.

WOOD
 GLUE LAMINATED WOOD MEMBERS HAVE BEEN DESIGNED
 IN ACCORDANCE WITH THE BUILDING CODE AND THE
 LATEST EDITION OF THE NATIONAL DESIGN SPECIFICATION
 FOR WOOD CONSTRUCTION (NDS) AND THE LATEST AITC
 SPECIFICATIONS AND RECOMMENDATIONS.

GLULAM MATERIAL REQUIREMENTS:

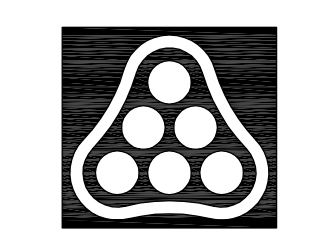
WOOD TYPE	SOUTHERN PINE
GRADE	16F-V2
MEMBER SIZE	5"X13.5"
Fb	1,600 PSI
Fcp	1,550 PSI
E	1,400,000 PSI
MINIMUM CAMBER	0.25 "
FASTENERS	A304 OR A316

GLULAM SHALL BE PRESSURE TREATED WITH ACQ
 AND HAVE A RETENTION OF 0.25 PCF.

TREX AS REFERENCED IN THE PLANS REFERS TO
 "TREX COMPOSITE LUMBER" AS SPECIFIED BY
 TREX COMPANY, INC.
 245 CAPITOL LANE
 WINCHESTER, VA 22602
 PHONE: 540-542-6300
 INSTALLATION SHALL BE AS PER THE MANUFACTURERS
 RECOMMENDATIONS.

GUARDRAIL
 GUARDRAIL TO BE "AEGIS II INDUSTRIAL - MAJESTIC
 STYLE M3(3-RAIL)" WITH DECORATIVE RINGS BETWEEN
 THE TOP TWO RAILS, AS MANUFACTURED BY
 AMERISTAR FENCE COMPANY. THE MINIMUM HEIGHT
 TO THE BRIDGE DECK SHALL BE 3'-6", VERTICAL MEMBERS
 TO BE SPACED A MAXIMUM OF 4" WITH A MAXIMUM
 DISTANCE FROM END OF GUARD RAIL TO STONE COLUMN
 FACE OF 4". INSTALLATION SHALL BE AS PER MANUFACTURERS
 RECOMMENDATION AND THE POWDER COAT PAINT COLOR
 SHALL BE BLACK.

Sowed 03-19-2008 1:46:02 PM by BJS
 Plot Scale 1:4 03-19-2008 4:10:42 PM
 03/2007/07593/003/07593-003-C-WEIR DTL5



No.	Revision	By	Date
WEBB BUSINESS PARK STORM WATER DRAIN NO. 337 R.C. WEIR DETAILS JAMES L. ARMOUR, P.E. - CITY ENGINEER CITY OF WICHITA PROJECT NO. 468-84431			
Professional Engineering Consultants, P.A. 303 S. TOPEKA • WICHITA, KANSAS 67202 316-262-2691 • FAX 316-262-3003			
Designed by	BMM	Job No.	35-07593-003
Drawn by	BJS, TAT	Date	June 2007
			Sheet 13 of 29