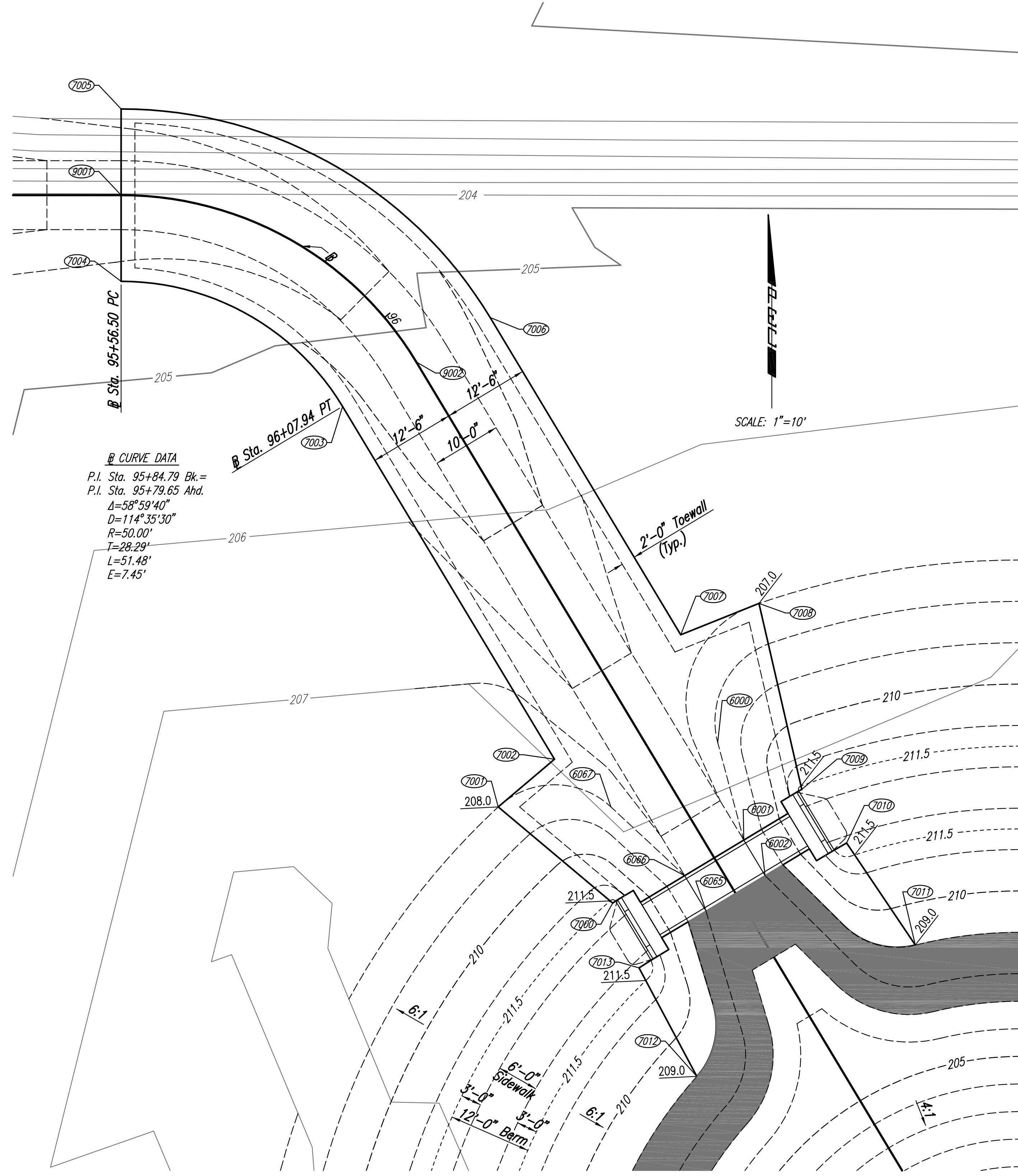
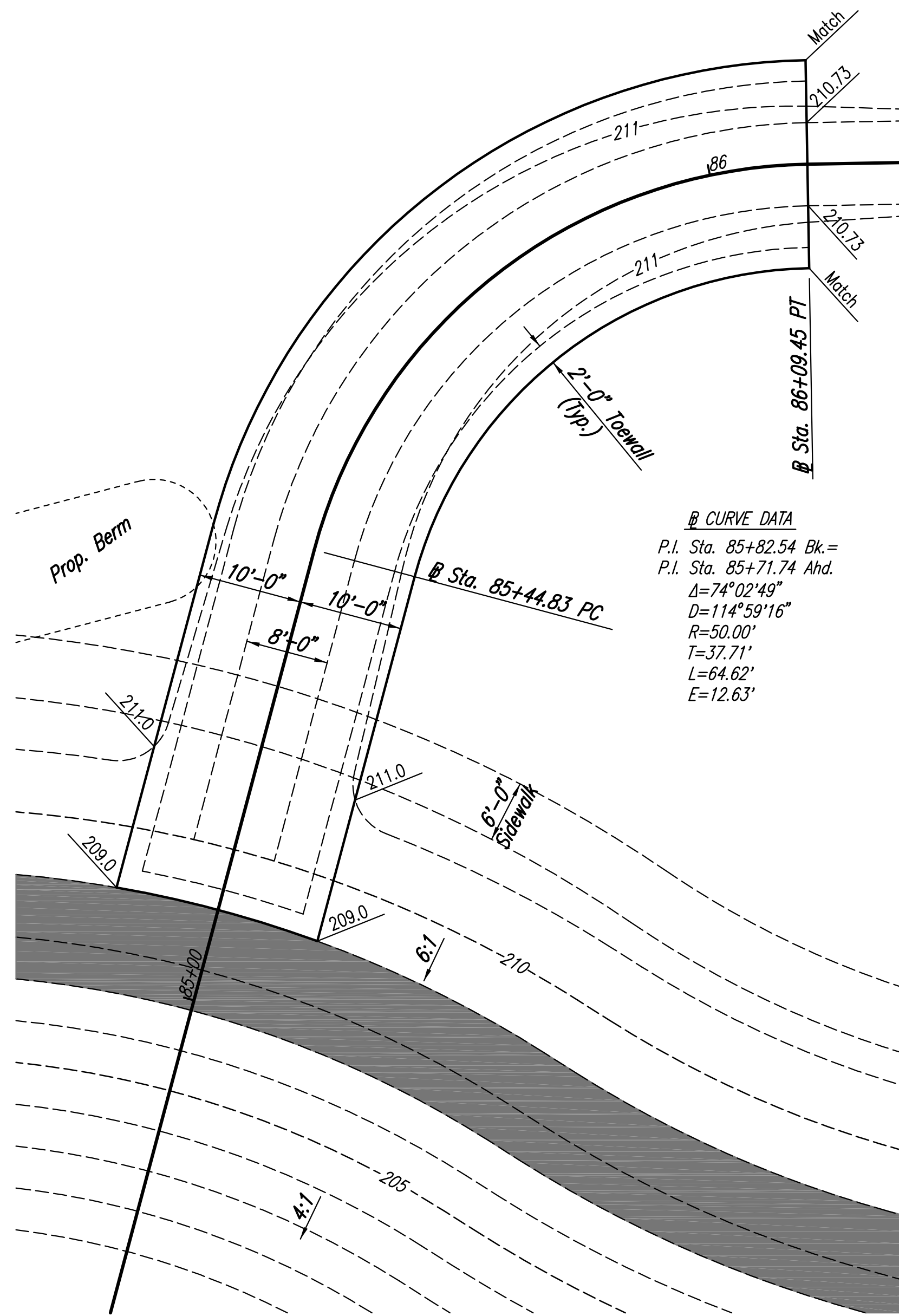


COORDINATE LIST		
POINT	NORTH	EAST
6000	9,885.5545	7,464.4418
6001	9,871.4244	7,468.2189
6002	9,866.2817	7,471.3097
6065	9,861.1305	7,462.7385
6066	9,866.2732	7,459.6478
6067	9,876.2398	7,448.9430
7000	9,862.2830	7,449.2042
7001	9,876.2333	7,432.5819
7002	9,883.1491	7,440.7552
7003	9,934.3244	7,409.9992
7004	9,952.4696	7,377.8800
7005	9,977.4696	7,377.8800
7006	9,947.2135	7,431.4205
7007	9,901.2010	7,459.0737
7008	9,905.7577	7,470.4221
7009	9,878.7739	7,476.6436
7010	9,871.0008	7,483.1450
7011	9,856.1978	7,493.1066
7012	9,837.1505	7,461.4137
7013	9,852.8941	7,453.0170
9001	9,964.9696	7,377.8800
9002	9,940.7693	7,420.7096

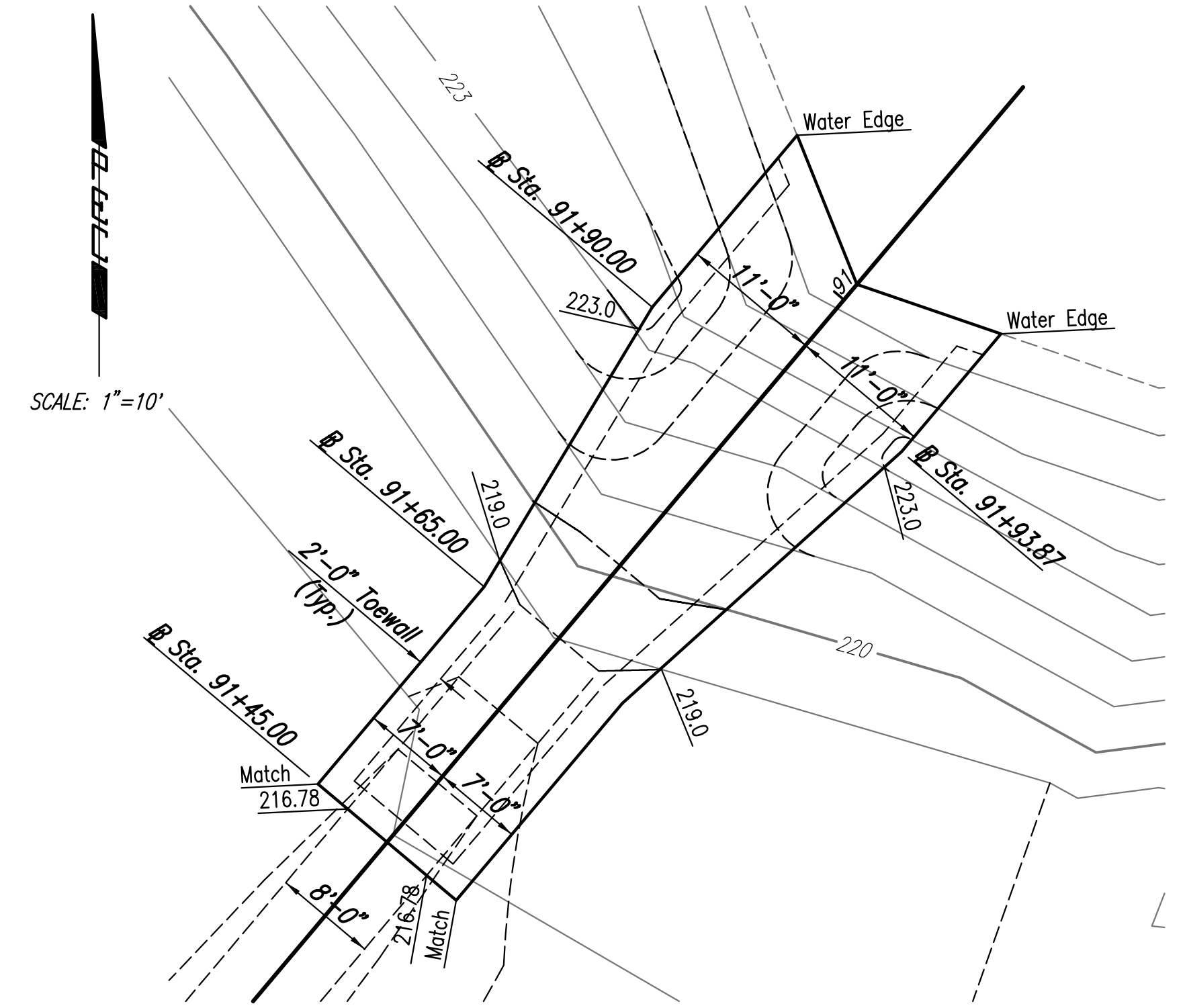
(7000) = COORDINATE POINT NO.
SEE SHEET NO. 3 FOR PLAT COORDINATES



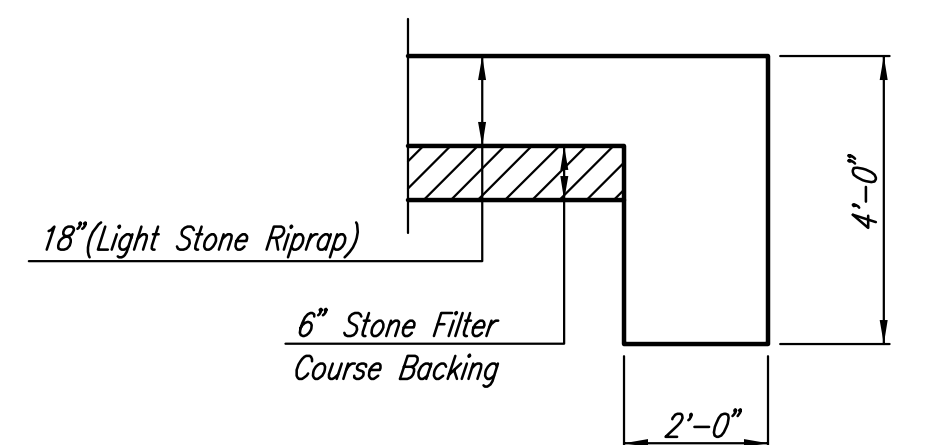
RIPRAP PLAN
(Pond Outfall)



RIPRAP PLAN
(Channel No. 2 Outfall)



RIPRAP PLAN
(Channel No. 2)



TYPICAL SECTION THRU TOEWALL
NO SCALE

- NOTES
- ALL RIPRAP FOR THIS PROJECT SHALL BE NATURAL STONE. NEITHER BROKEN CONCRETE, FABRIC ENVELOPE, NOR PREMIXED DRY PACKAGED CONCRETE BAG ALTERNATES WILL BE ALLOWED.
 - TOEWALLS SHALL BE INSTALLED ALONG ALL EDGES OF STONE RIPRAP OR AS SHOWN ON PLANS.
 - GROUTING OF THE SURFACE OF THE RIPRAP SHALL NOT BE PERFORMED. GROUTING OF THE TOEWALLS SHALL BE PERFORMED PER SPECIFICATIONS.

Scaled 03-19-2008 1:52:40 PM by BJS
 Plot Scale 1:10 03-19-2008 4:14:23 PM
 Q:\2007\07593\003\07593-003-C-RIPRAP AND MISC DTLS

No.	Revision	By	Date
WEBB BUSINESS PARK STORM WATER DRAIN NO. 337 RIPRAP AND MISCELLANEOUS DETAILS JAMES L. ARMOUR, P.E. - CITY ENGINEER CITY OF WICHITA PROJECT NO. 468-84431 Professional Engineering Consultants, P.A. 303 S. TOPKA • WICHITA, KANSAS 67202 316-262-2691 • FAX 316-262-3003			
Designed by	BMM	Job No.	35-07593-003
Drawn by	BJS, TAT	Date	June 2007
			Sheet 16 of 29