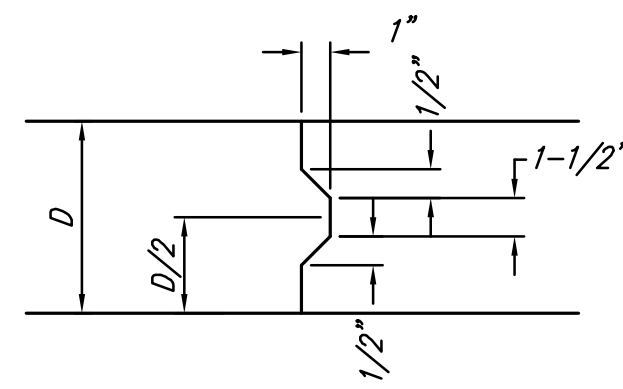
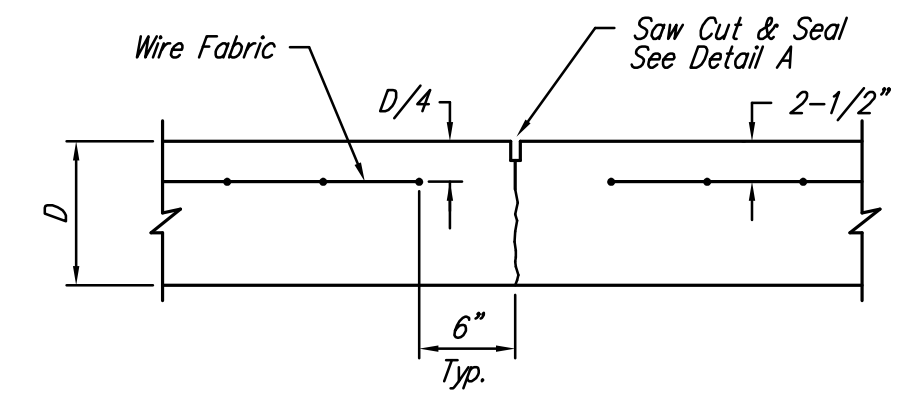


**EXPANSION JOINT**

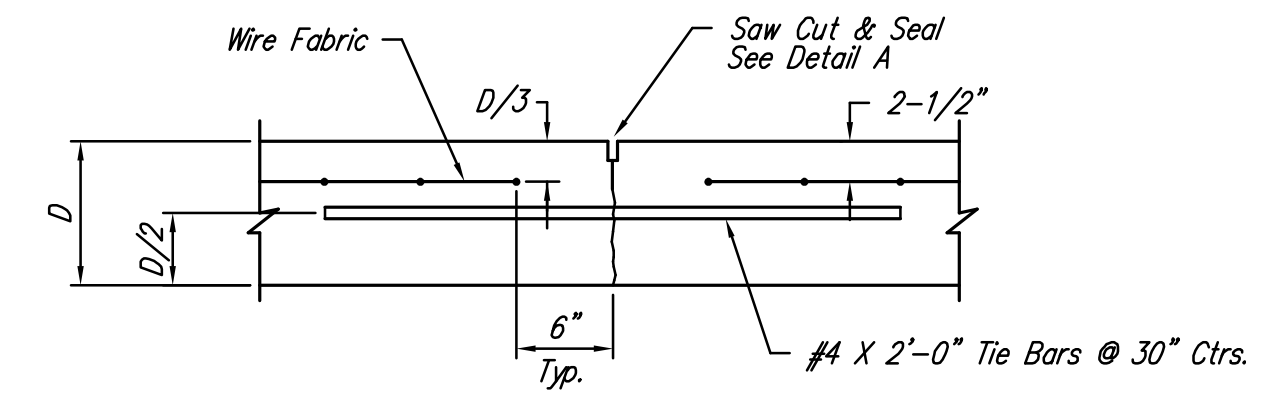
NOTE: Extra Thickness to be Subsidiary to Price of Square Yards Pavement



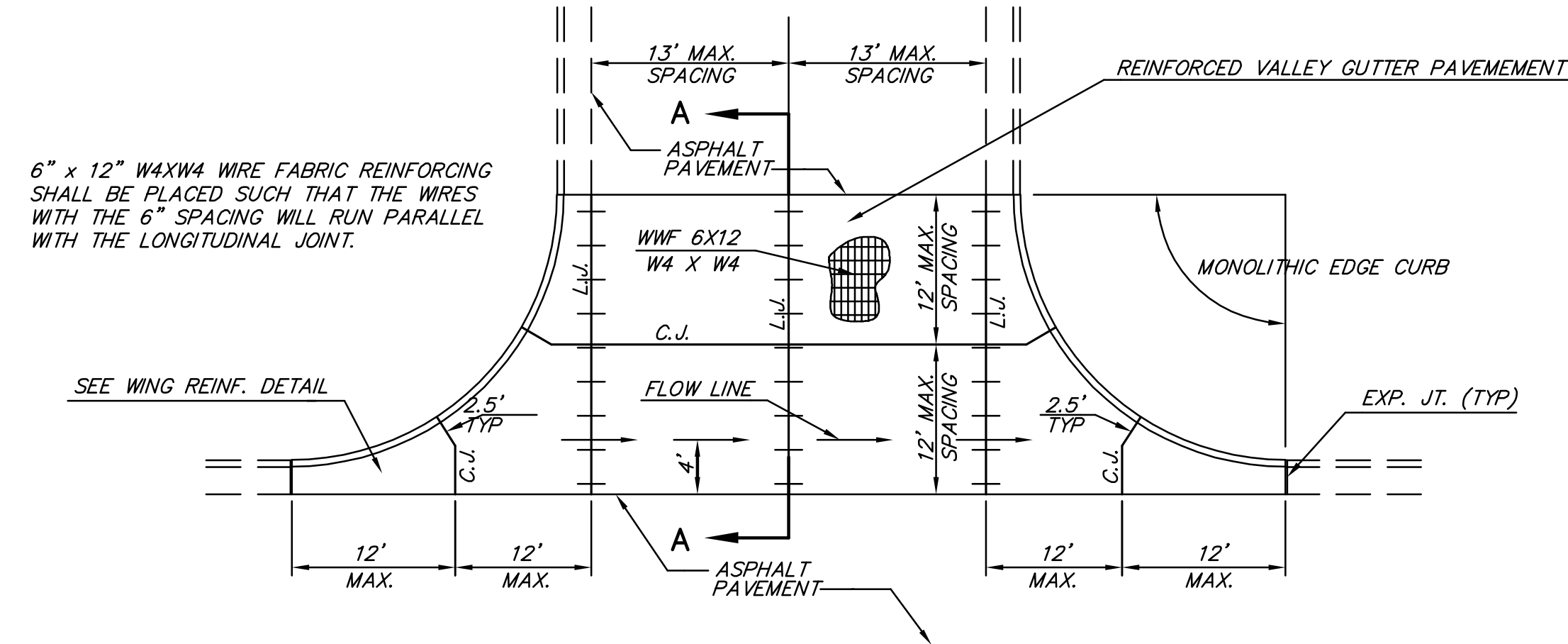
**KEYWAY DETAIL**



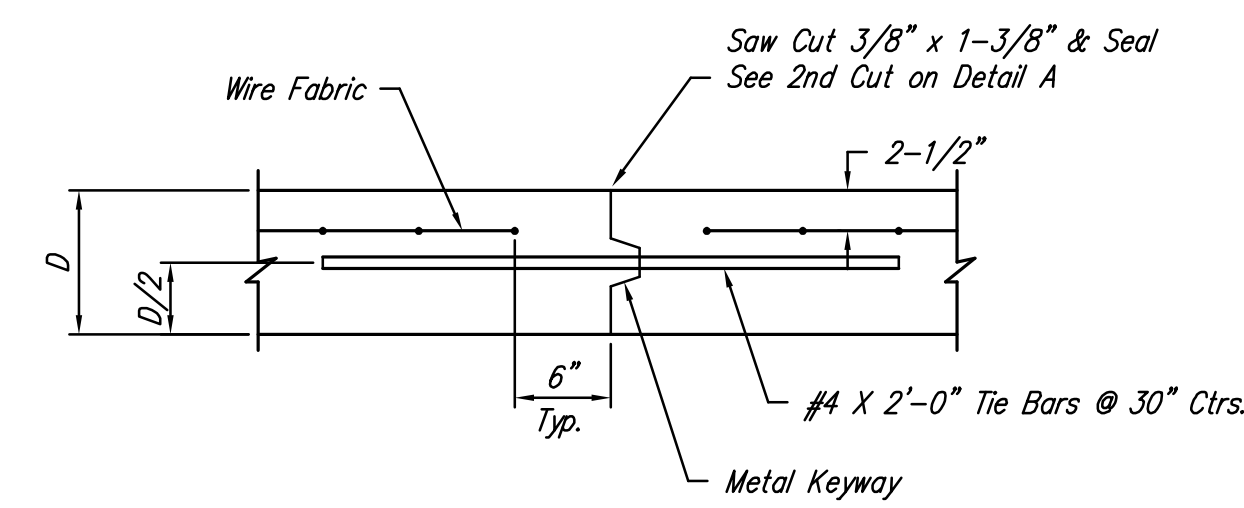
**CONTRACTION JOINT DETAIL (C.J.)**



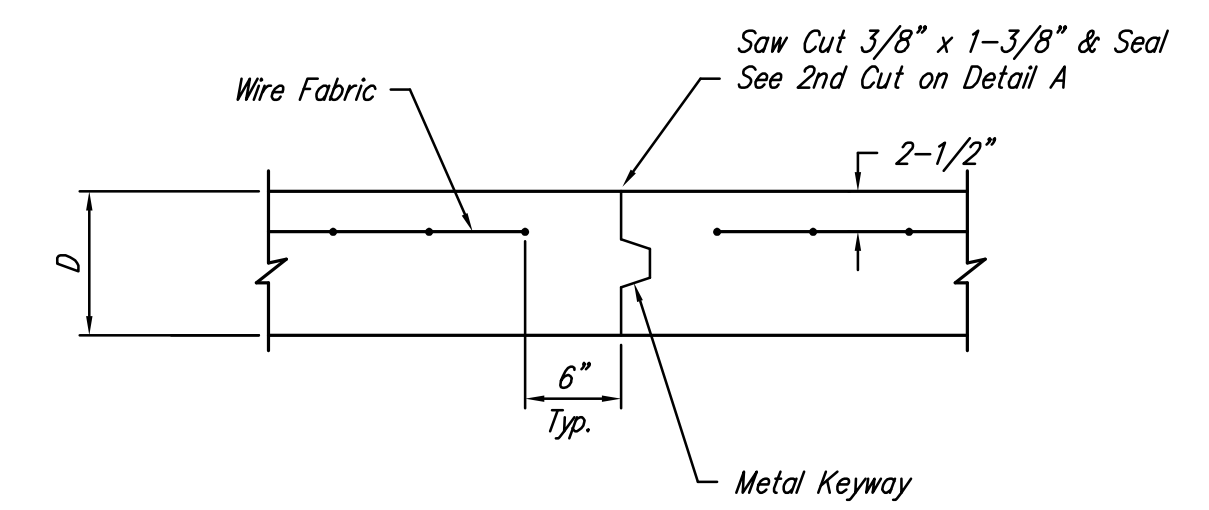
**LONGITUDINAL JOINT DETAIL (L.J.)**



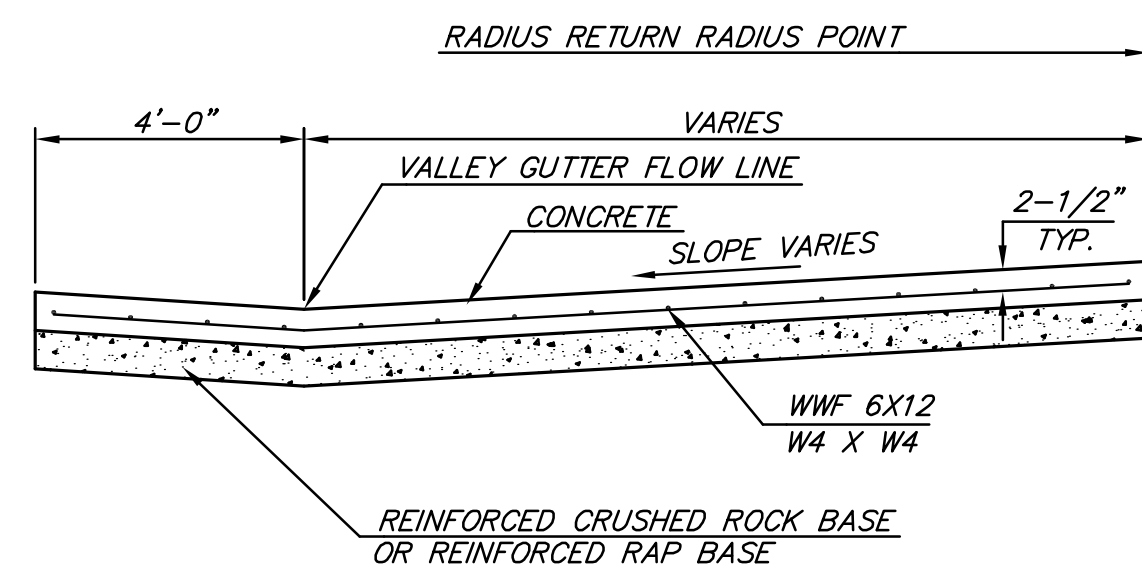
**PLAN**



**OPTIONAL CONTRACTION JOINT**

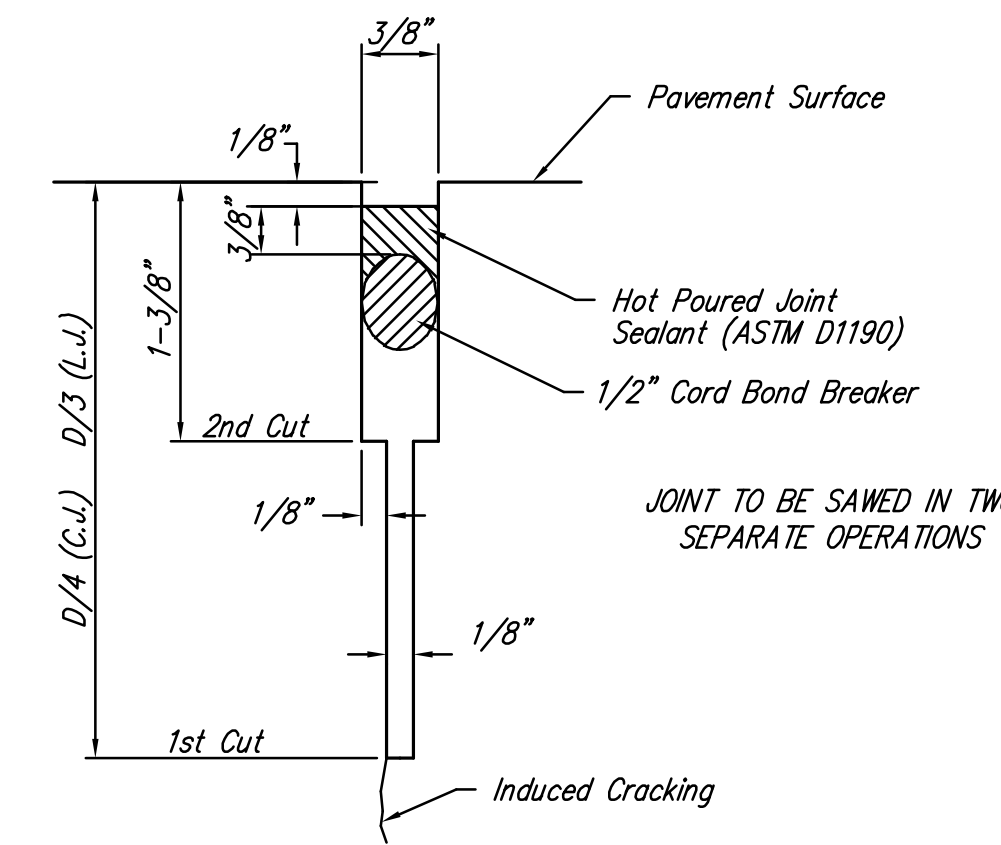


**OPTIONAL LONGITUDINAL JOINT DETAIL (L.J.)**

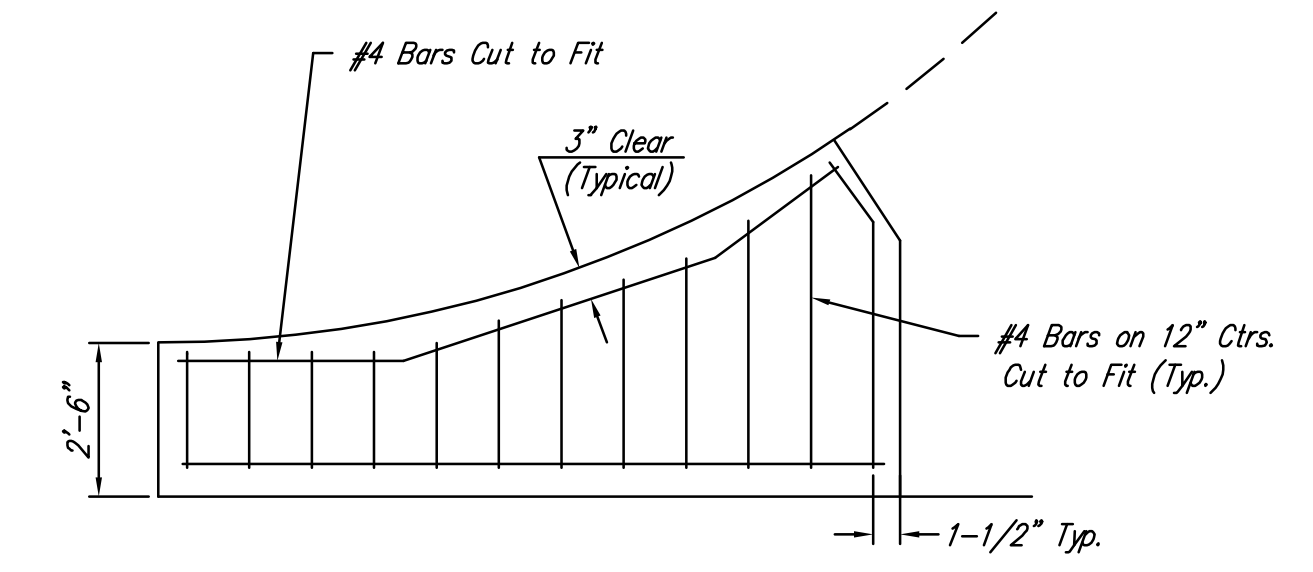


**SECTION A-A**

**REINFORCED VALLEY GUTTER DETAIL**



**SAW JOINT DETAIL**



**WING REINFORCING DETAIL**

<p>THE CITY OF WICHITA</p> <p>CITY ENGINEER'S OFFICE CITY HALL - SEVENTH FLOOR 455 NORTH MAIN STREET WICHITA, KANSAS 67202 (316) 268-4501 (316) 268-4114 FAX</p>	<b>VALLEY GUTTER DETAILS</b>	
	JAMES L. ARMOUR, P.E. - CITY ENGINEER	
	PROJECT NUMBER 472-84351	OCA NUMBER 766206
	DATE Mar 08	<b>Sheet 4 of 32</b>

J:\CIVIL\04429\DWG\PAV\PHASE 2\04429\_ED3.DWG